

**CABLE DRAWING: MWA-3031**
**DRAWING TITLE:  
SBC Mains Power Cable**

DRAWING NO.: <b>MWACAB-0031</b>	DRAWN BY: <b>DRC</b>	DATE: 9-Nov-10	REV: <b>A</b>
		SHEET: 1 of 3	

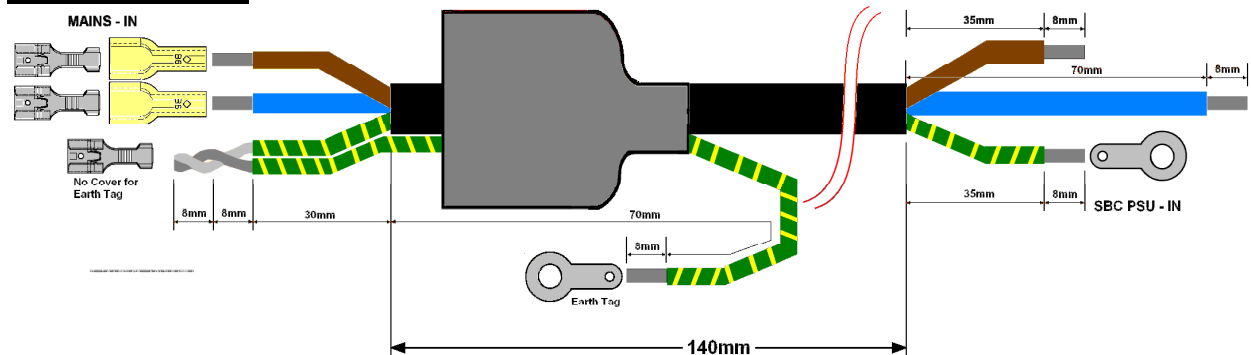
**Cable Detail:**

Connectors:	Description	Parts (Qty)
Mains-IN	JST - STO-2.5T-250N - Terminal, Female, 6.3X0.8mm	See Note1 Below(3)
Earth	M3/6BA Solder Tag on Earth, Flying leads on Live/Neutral	See Note2 Below(2)
<b>Conductors:</b>		
Cable	3-Core Mains CABLE, 24/0.2mm, Colour (BL,BRN,GRN/YEL) , 6 Amp	See Note3 Below(60cm)
<b>Misc:</b>		
Cover	JST - 01022-250 - Cover, 6.3MM Tab	See Note4 Below(2)
Boot	Insulation Boot for Main Connector	See Note5 Below(1)

Overall Length 270+/-5mm

**Notes:**

1. The Spade Terminal can be supplied from Element14 #362-5448. Any equivalent will be OK refer to data sheets supplied with this drawing.
2. The Solder Tag can be supplied from RS #186-7860 or PSI Stock (CON-0268). Any equivalent will be OK refer to data sheets supplied with this drawing.
3. The cable can be supplied from Element14 #117-9221 or PSI stock (CAB-0222) Any equivalent will be OK refer to data sheets supplied with this drawing
4. The Covers can be supplied from Element14 #362-5527. Any equivalent will be OK refer to data sheets supplied with this drawing
5. The Insulation Boot can be supplied from RS #801-932. Any equivalent will be OK refer to data sheets supplied with this drawing

**Typical Drawing:**

**REVISION**

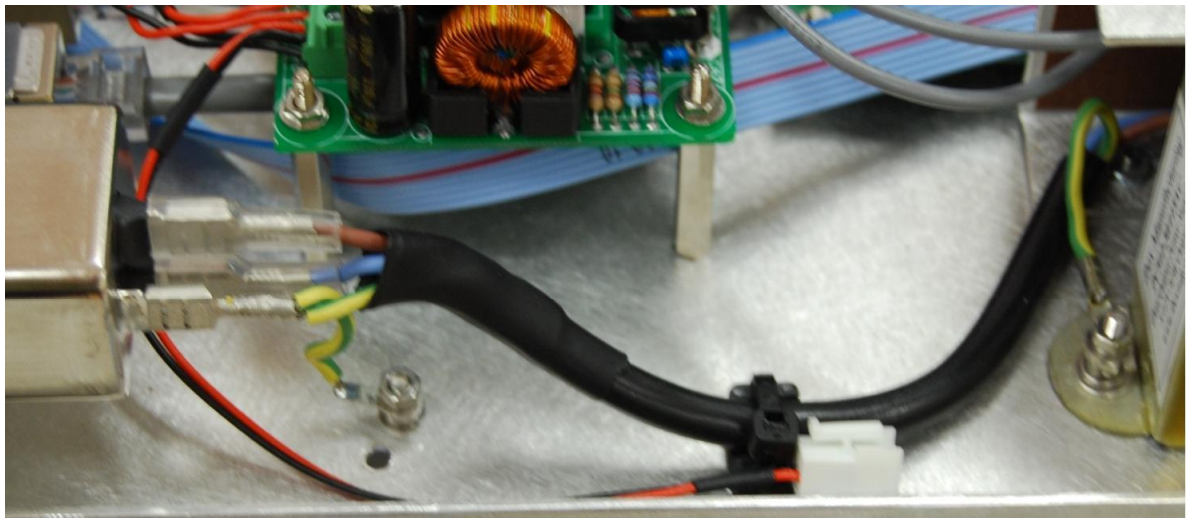
Date	Rev	Remarks
22/07/10	A	For Release
03/11/10	A	Salem Version – Farnell to Element14
09/11/10	A	Replaced obsolete Element14 parts

CABLE DRAWING: MWA-3031

DRAWING TITLE:  
**SBC Mains Power Cable**

DRAWING NO.: <b>MWACAB-0031</b>	DRAWN BY: <b>DRC</b>	DATE: 9-Nov-10	REV: <b>A</b>
		SHEET: 2 of 3	

**Typical Photo:(Cable Fitted)**



**Cable Fitted but boot not shown**

**Connection Detail:**

From: (Mains-IN)                      Attached to the mains input connector terminals  
 To:    (SBC PSU-IN)                    Attached to the SBC PSU unit.

**REVISION**

Date	Rev	Remarks
22/07/10	A	For Release
03/11/10	A	Salem Version – Farnell to Element14
09/11/10	A	Replaced obsolete Element14 parts

CABLE DRAWING: **MWA-3031**

DRAWING TITLE:  
**SBC Mains Power Cable**

DRAWING NO.: <b>MWACAB-0031</b>	DRAWN BY: <b>DRC</b>	DATE: 9-Nov-10	REV: <b>A</b>
		SHEET: 3 of 3	

**Assembly Details:**

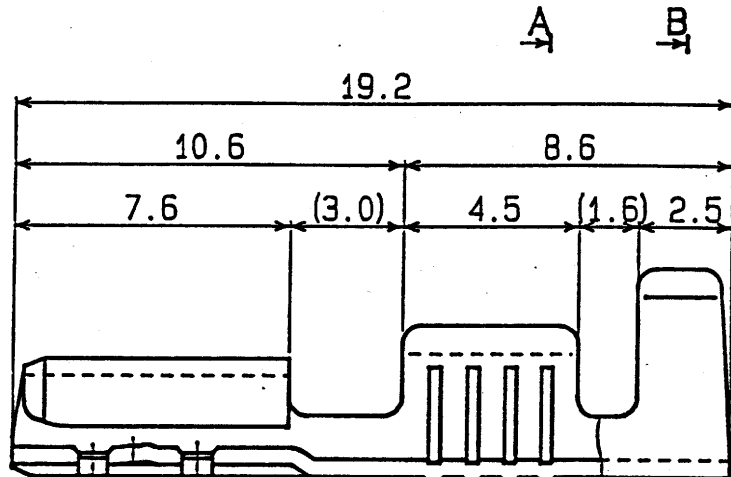
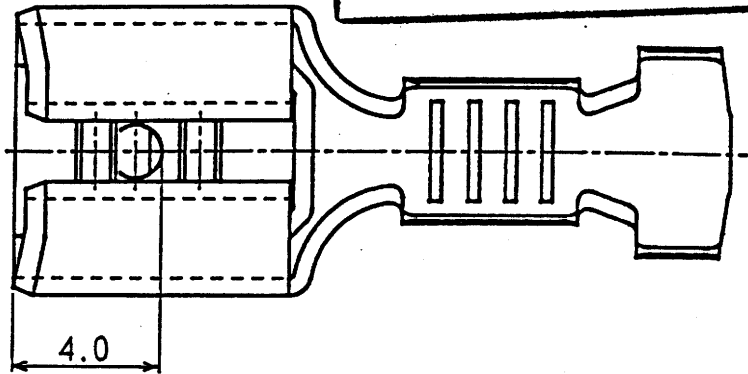
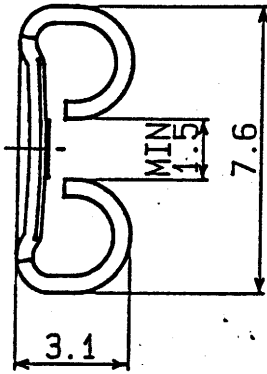
UL approvals and correct crimping only ensured on products crimped with STOCKO applicators.

	Correct	Incorrect	Incorrect
Conductor crimp		 Crimp height too high Volume too small	 Over-crimped! Volume too small Worn punch
Insulation crimp		 Volume too small	 Crimp height too low Volume too small
		 Volume too large	 Volume too small
		 Volume too large	 Crimp height too high Volume too small
Length adjustment		 Cable inserted too deep Insulation in wire crimping bucket	 Cable inserted not deep enough Insulation invisible

**REVISION**

Date	Rev	Remarks
22/07/10	A	For Release
03/11/10	A	Salem Version – Farnell to Element14
09/11/10	A	Replaced obsolete Element14 parts

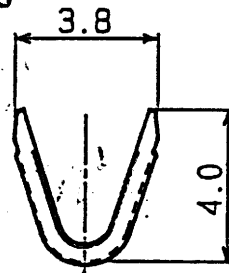
**UNCONTROLLED ISSUE**



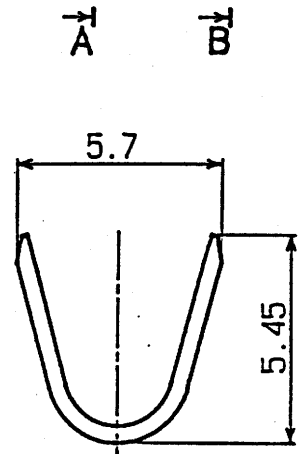
**THIS DRAWING/DOCUMENT IS THE PROPERTY OF J.S.T. (U.K.) LTD. IT MUST NOT BE COPIED OR USED FOR MANUFACTURE WITHOUT WRITTEN PERMISSION FROM J.S.T. (U.K.) LTD.**

**NOTE**

1. Dimensions are in MM.
2. General tolerances
  - 0 ~ 3.0 : ±0.2
  - 3.1 ~ 9.0 : ±0.3
  - 9.1 ~ : ±0.5



A-A SEC.



B-B SEC.


						REVISIONS			
TERMINAL		BRASS		TIN PLATED t0.45					
No.	NAME	MATERIAL	REMARKS						
<b>J. S. T.</b>						PART NAME			
APPROVED BY	CHECKED BY	DRAWN BY	SCALE	PROJECTION	DATE	PART No.		STO-2, 5T-250N	
NH	KM	Y.O	3rd	3rd	Sep. 17 1991	DRAWING No.		KRD-14078	
								ISSUE	

This Drawing is the property of J.S.T.(U.K.) Ltd.  
It must not be copied or used for manufacturing  
without written permission from J.S.T.(U.K.) Ltd.

**UNCONTROLLED  
CUSTOMER ISSUE**

Page 1 / 2

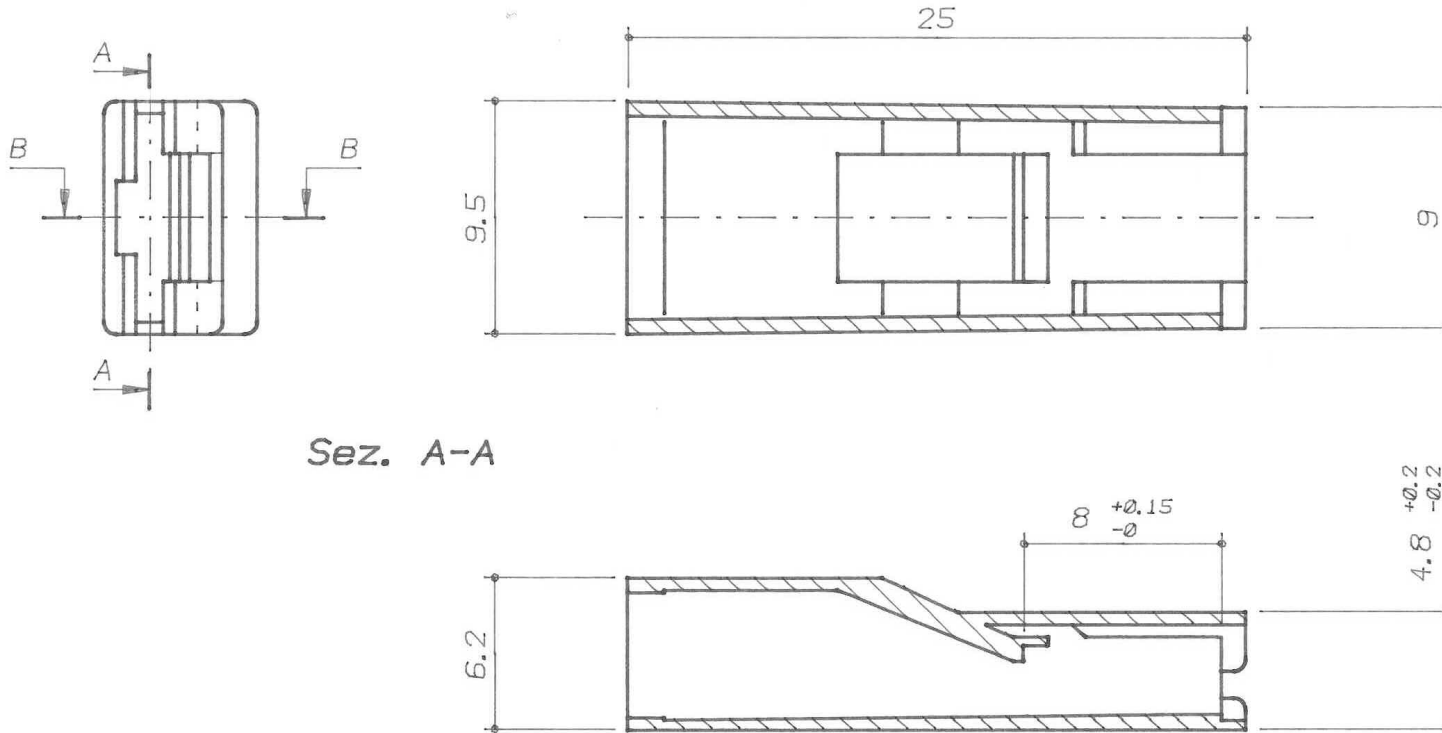
CS-63N004V0	63N004V0	PA66	UL94V-0	Natural	110	--	
CS-63N004STY	63N004STY	PA46	UL94V-2	Natural	150	--	
01022-250 Red	63N304	PA66	UL94V-2	Red	110	E172855 (M)	
01022-250 Green	63N404	PA66	UL94V-2	Green	110	E172855 (M)	
01022-250 Brown	63NMR04	PA66	UL94V-2	Brown	110	E172855 (M)	
01022-250 Blue	63N604	PA66	UL94V-2	Blue	110	E172855 (M)	
01022-250 Black	63N504	PA66	UL94V-2	Black	110	E172855 (M)	
01022-250	63N004	PA66	UL94V-2	Natural	110	E172855 (M)	
<b>JST Part Number</b>	<b>Mfg Number</b>	<b>Material</b>	<b>Flame Class</b>	<b>Colour</b>	<b>Max Operating Temp (°C)</b>	<b>UL Card No.</b>	<b>//</b>

<b>Revision Record</b>		
	Add suffixes; 304,004STY, 004V0	31.10.02
	Add suffixes; 004,504,604,MR04,404	31.10.02
	<b>Modification Detail</b>	<b>Date</b>
		

<b>Part Description &amp; General Details:</b>		
Housing for 6.3 (.250) receptacle. Applicable JST terminal; STO-**(*)-250*(-*)		
<b>Series:</b>	63 Series	
<b>Drawing Ref:</b>	CS63N004-241194	
<b>Issues by:</b>	ZG	31.10.02
<b>Approved by:</b>	AR	31.10.02

This Drawing is the property of J.S.T.(U.K.) Ltd.  
It must not be copied or used for manufacturing  
without written permission from J.S.T.(U.K.) Ltd.

**UNCONTROLLED  
CUSTOMER ISSUE**



Sez. A-A

<b>Revision Record</b>		
	Add suffixes; 304,004STY, 004V0	31.10.02
	Add suffixes; 004,504,604,MR04,404	31.10.02
	<b>Modification Detail</b>	<b>Date</b>



<b>Part Description &amp; General Details:</b>		
Housing for 6.3 (.250) receptacle. Applicable JST terminal; STO-**(*)-250*(-*)		
<b>Series:</b>	63 Series	
<b>Drawing Ref:</b>	CS63N004-241194	
<b>Issues by:</b>	ZG	31.10.02
<b>Approved by:</b>	AR	31.10.02

# PRODUCT INFORMATION

**PART NUMBER:**

Varies with colour and packing.

**DESCRIPTION:**

Circular 3-core, 0.75mm<sup>2</sup> (24/0.2mm) Tinned Copper, 150°C Silicone Rubber Insulated, laid up, 85°C PVC Sheathed, 300/500V.  
BS 6141, Table 10, (now withdrawn).

**CONDUCTORS:**

0.75mm<sup>2</sup> tinned annealed copper bunch meeting the requirements of BS 6360, class 5.  
Maximum resistance at 20°C = 20.0Ω/km.  
Approximate diameter = 1.3mm.

**INSULATION:**

Type EI 2 silicone rubber meeting the requirements of BS EN 50363.  
Minimum average radial thickness = 0.6mm.  
Nominal diameter = 2.5mm.

**LAY UP:**

One Green/Yellow, one Blue, and one Brown core.

**SCREEN:**

Not applicable.

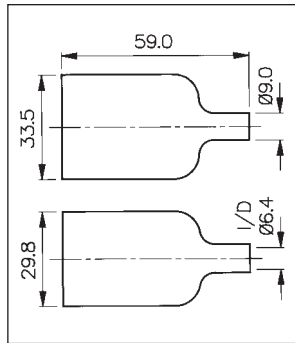
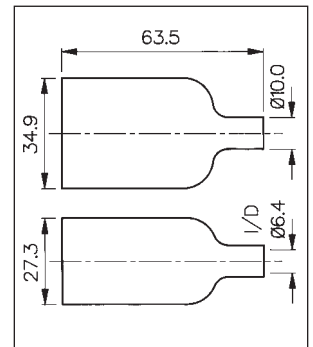
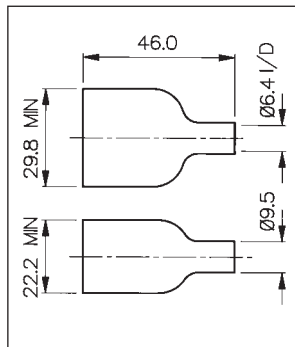
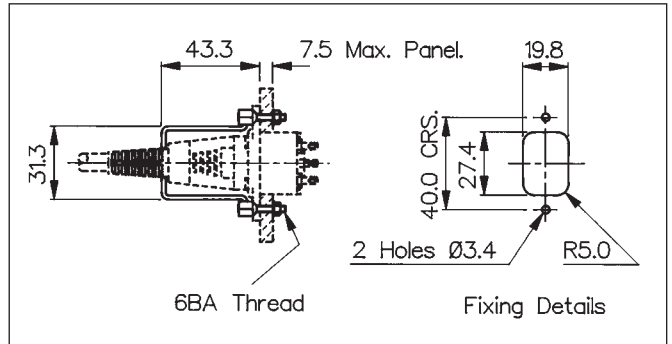
**SHEATH:**

Type 4 PVC compound meeting the requirements of BS 6746 (now withdrawn).  
Minimum average radial thickness = 0.8mm.  
Minimum overall diameter = 6.4mm.  
Nominal overall diameter = 6.8mm.  
Maximum overall diameter = 8.0mm.

**SERVICE DATA:**

For use with appliances and equipment in domestic or similar environments for ordinary duty.

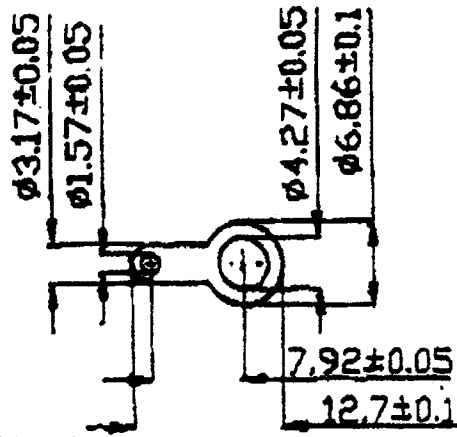
Rated Voltage (U<sub>o</sub>/U): 300/500V.  
Maximum Conductor Operating Temperature: +85°C.  
Minimum Installation and Bending Temperature: +5°C.  
Minimum Operating Temperature: -15°C (not subjected to flexing or vibration).  
Approximate Mass per Unit Length: 79kg/km.



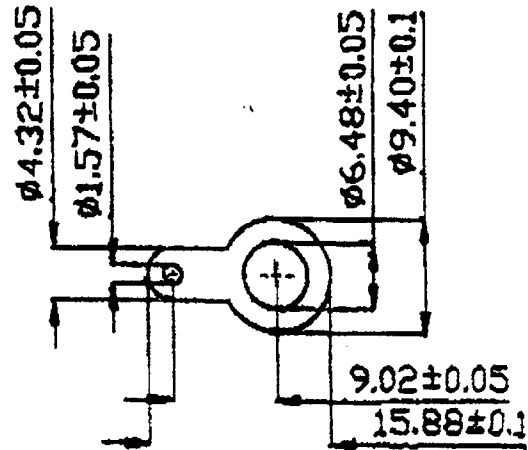
Data	List No.	KT0006, KT0009	PNo 11328	PNo 11987	PNo 12075
		Retaining Clips to prevent accidental removal of connector. KT0006 -PX0580, PX0590, PX0675, PX0793, PXS580, PXT580. KT0009 -PF0001, PF0001/PC, PF0002, PF0030.	Insulation boot - PX0575, PX0579, PX0580, PX0590, PX0595, PXS575, PXS579, PXS580, PXT575, PXT579, PXT580.	Insulation boot for PF range (except /PC versions and PF0030, PF0033).	Insulation boot - PX0675, PX0695, PX0783, PX0793 (except /PC versions)
Operating Temp. Range:			-20°C to +60°C	-20°C to +60°C	-20°C to +60°C
Max. Working Voltage:			250V a.c.	250V a.c.	250V a.c.
Flash Tested:			2kV a.c.	2kV a.c.	2kV a.c.
Material:		Clip: Stainless Steel, all other parts Brass, Nickel Plated	P.V.C	P.V.C.	P.V.C.



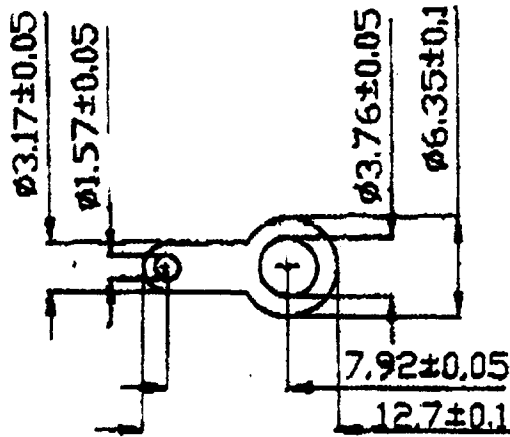
### RS 186-7848



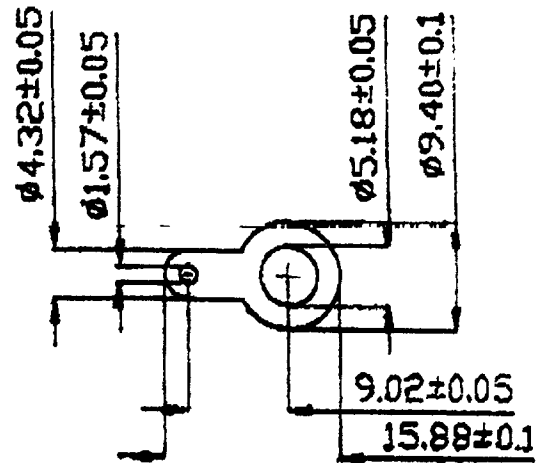
### RS 186-7826



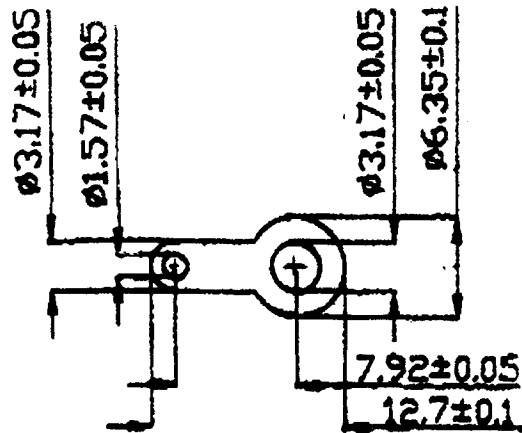
### RS 186-7854



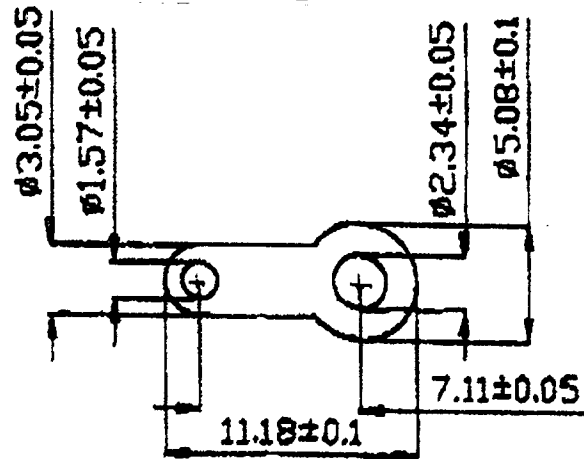
### RS 186-7832



### RS 186-7860



### RS 186-7876



第三角法 :



單位 UNIT:

mm



No.

設備内容

日期

△		△		△		△			
---	--	---	--	---	--	---	--	--	--