

CABLE DRAWING: MWA-3002

DRAWING TITLE:
DoC to ASC Cable

DRAWING NO.: MWACAB-0002-opt	DRAWN BY: DRC	DATE: 2-Nov-10	REV: A
		SHEET: 1 of 2	

Cable Detail:

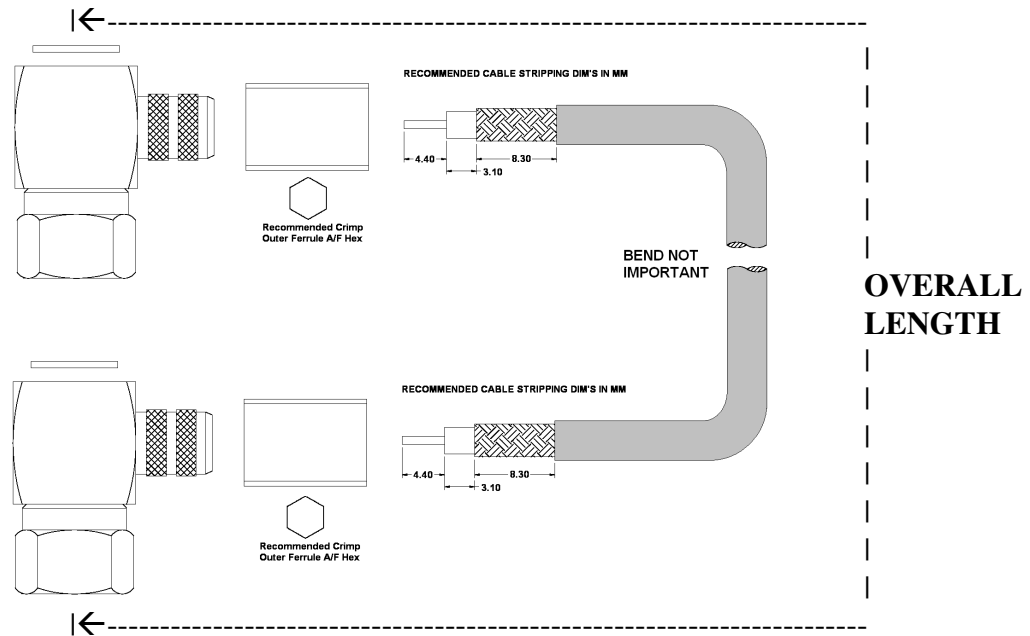
Connectors:	Description	Parts (Qty)
DoC/ASC	F R/A Crimp Plug, 75R	See Note1 Below(2)
Conductors:		
Cable	RG59B Pro Power - 3071200002 - Cable, Coax	See Note2 Below(85cm)
Misc:		
Numbering	Attach Cable Numbers 0 & 2 (Supplier to specify)	See Note3 Below

Overall Length 800+/-5mm

Notes:

1. The "F" Type R/A connector can be supplied from Mouser #523-222164 or Digikey # ACX1461-ND. Any equivalent will be OK refer to data sheets supplied with this drawing.
2. The cable can be supplied from Farnell #165-0603. Any equivalent will be OK refer to data sheets supplied with this drawing.
3. Cable numbering parts are left to the cable manufacturer to decide, only the last two digits are required, for example "MWACAB-0002" is designated as "02" on the cable.

Typical Drawing:



REVISION

Date	Rev	Remarks
21/01/10	A	Draft
14/07/10	A	For Release
02/11/10	A	Salem Version

CABLE DRAWING: MWA-3002

DRAWING TITLE:
DoC to ASC Cable

DRAWING NO.: MWACAB-0002-opt	DRAWN BY: DRC	DATE: 2-Nov-10	REV: A
		SHEET: 2 of 2	

Typical Photo:



Assembly Details:

- STEP 1. All parts of the connector are shown. A crimp tool is necessary to complete the connection.
- STEP 2. Strip the inner conductor, dielectric, braid, and jacket as per the cable stripping dimensions given above.
Slide the ferrule onto the cable.
- STEP 3. Fan the braid. Slide the inner cable into the body until it aligns with the centre conductor. Solder the centre contact..
- STEP 4. Slide the ferrule over the braid.
- STEP 5. Crimp the ferrule with a crimping tool, then remove any excess braid.
- STEP 6. Insert the Connector Cover.

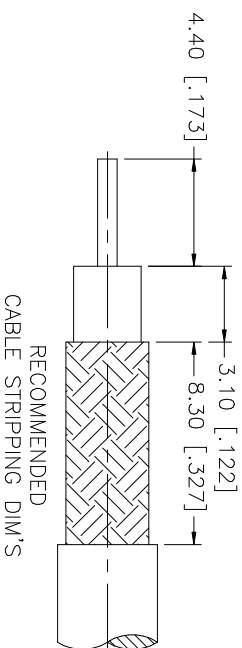
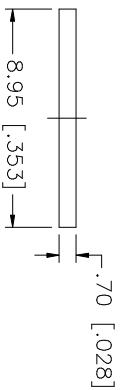
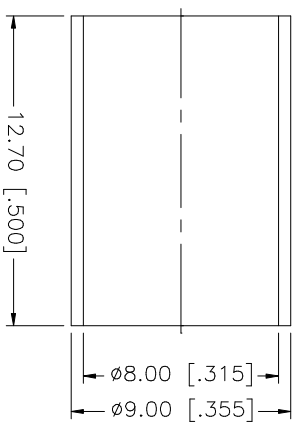
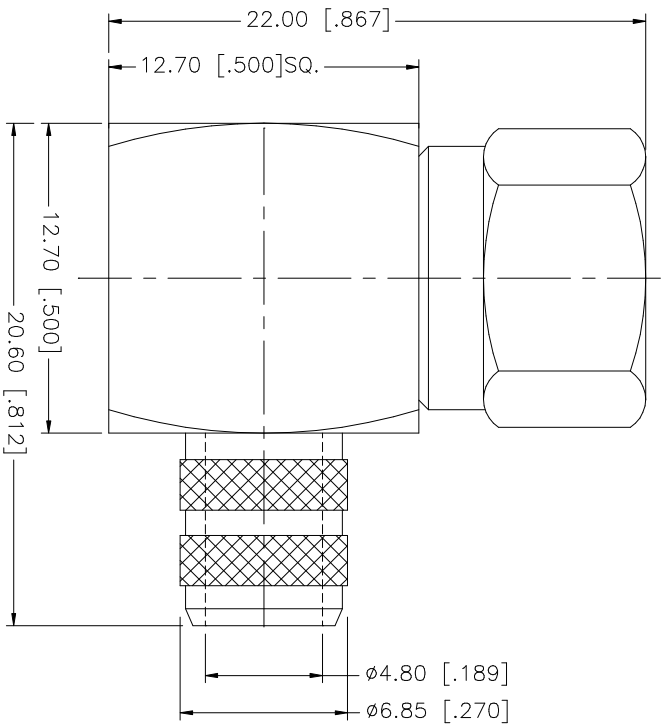
Connection Detail:

From: (DoC) Attached to the DoC PCB F Connectors
To: (ASC) ASC1/2 F Connector inputs

REVISION

Date	Rev	Remarks
21/01/10	A	Draft
14/07/10	A	For Release
02/11/10	A	Salem Version

REV.	DATE	DESCRIPTION
NC	12/06/99	INITIAL RELEASE
A	01/13/00	ADD CABLE SIZE TO DESCRIPTION
B	09/26/05	UPDATE DRAWING FORMAT



NO.	DESCRIPTION	MATERIAL	FINISH	QTY	UNLESS OTHERWISE SPECIFIED DIMENSIONS ARE IN INCHES AND FOR CUSTOMER REFERENCE ONLY. UNLESS OTHERWISE SPECIFIED TOLERANCES FOR MILLIMETERS ARE: 0.5 - 8mm ± 0.20mm 8 - 30mm ± 0.40mm 30 - 120mm ± 0.50mm UNLESS OTHERWISE SPECIFIED TOLERANCES FOR INCHES ARE: .020 - .315 = ± 0.007" .315 - 1.180 = ± 0.015" 1.180 - 4.724 = ± 0.020"	APPROVALS	DATE	PART DESCRIPTION		
8								<p style="text-align: center;">Amphenol Connex</p> <p style="text-align: center;">F R/A CRIMP PLUG (FOR RG-6/U CABLE)</p> <p style="text-align: center;">222164</p>		
7										
6										
5										
4	FERRULE	COPPER	NICKEL	1						
3	CONTACT PIN	BRASS	GOLD	1						
2	INSULATOR	TEFLON	NATURAL	1						
1	BODY	BRASS	NICKEL	1						
	DESCRIPTION	MATERIAL	FINISH	QTY	DO NOT SCALE DRAWING	CAD FILE	DWG. NO.	REV.	SIZE	SCALE
						C:/222/222164.DWG	222164.DWG	B	A	NA

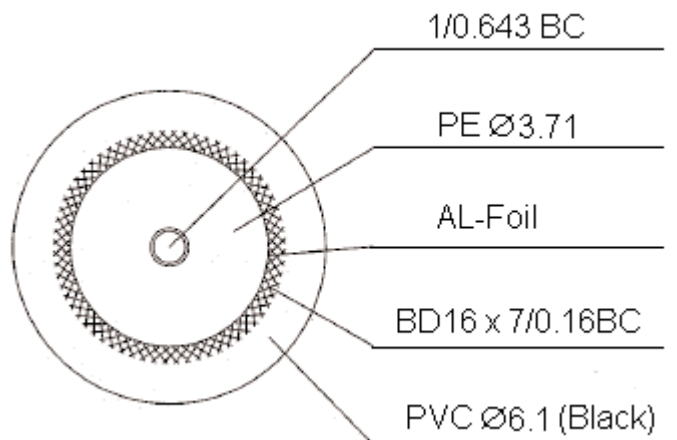
PART NO.

3071200002

REVISIONS

ECN #	REV	DESCRIPTION	DRAWN	DATE	CHECKD	DATE	APPRVD	DATE
-	A	RELEASED	Veena	20/01/09	Suresh	20/01/09	Farnell	03/02/09

3071200002:



Dimensions : Millimetres

Part Number Table

Description	Part Number
Cable, Coax, RG59/U, Black, 100M	3071200002

<http://www.farnell.com>

<http://www.newark.com>

<http://www.cpc.co.uk>

This data sheet and its contents (the "Information") belong to the Premier Farnell Group (the "Group") or are licensed to it. No licence is granted for the use of it other than for information purposes in connection with the products to which it relates. No licence of any intellectual property rights is granted. The Information is subject to change without notice and replaces all data sheets previously supplied. The Information supplied is believed to be accurate but the Group assumes no responsibility for its accuracy or completeness, any error in or omission from it or for any use made of it. Users of this data sheet should check for themselves the Information and the suitability of the products for their purpose and not make any assumptions based on information included or omitted. Liability for loss or damage resulting from any reliance on the Information or use of it (including liability resulting from negligence or where the Group was aware of the possibility of such loss or damage arising) is excluded. This will not operate to limit or restrict the Group's liability for death or personal injury resulting from its negligence. PRO POWER is the registered trademark of the Group. © Premier Farnell plc 2009.

TOLERANCES:

UNLESS OTHERWISE SPECIFIED, DIMENSIONS ARE FOR REFERENCE PURPOSES ONLY.

DRAWN BY:	DATE:
Veena	20/01/09
CHECKED BY:	DATE:
Suresh	20/01/09
APPROVED BY:	DATE:
Farnell	03/02/09

DRAWING TITLE:

Coax Cable

SIZE A	DWG NO. P10001909	ELECTRONIC FILE 3071200002_DWG	REV A
SCALE: NTS	U.O.M.: mm	SHEET: 1 OF 1	