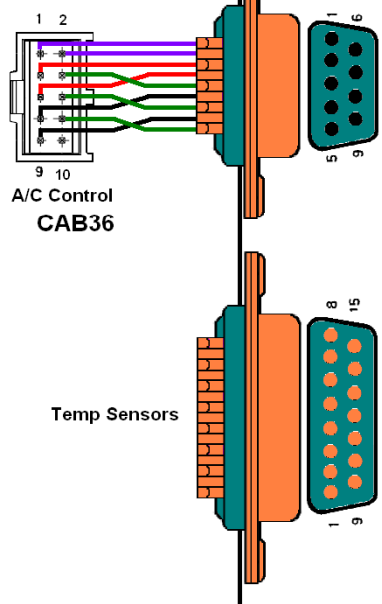


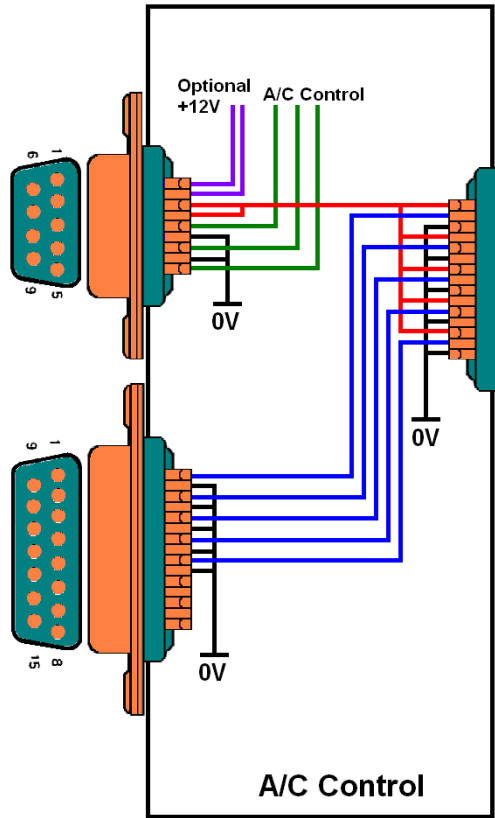
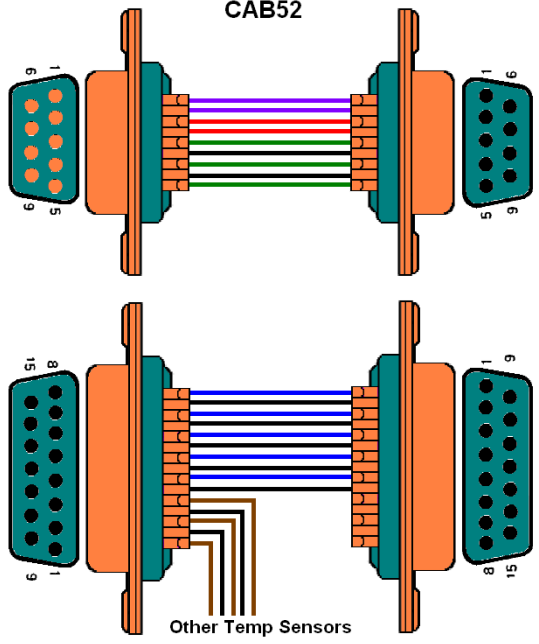
SBC MODULE

- +12V
- +5V
- Control
- 0V



INTER CONNECTING CABLES

CAB52



AIR CONDITIONER TEMPERATURE MONITOR WIRING (V2)

