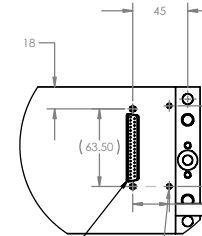
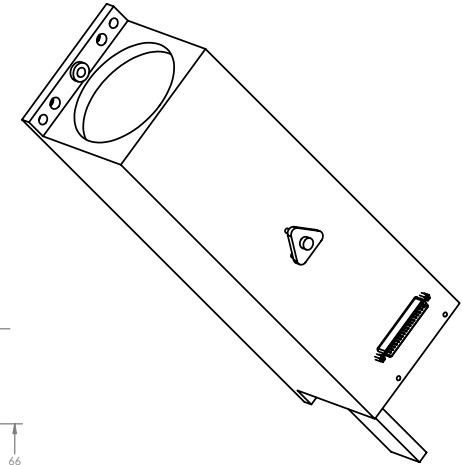
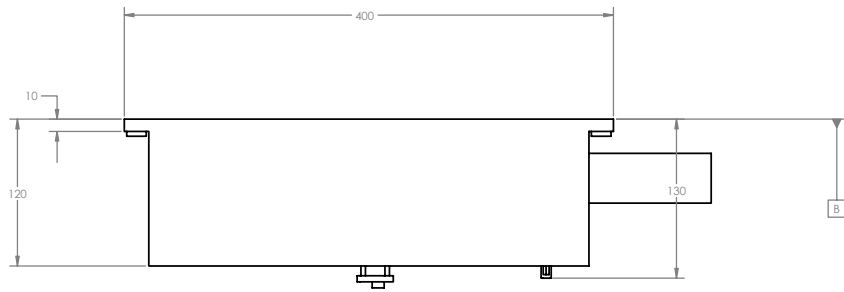
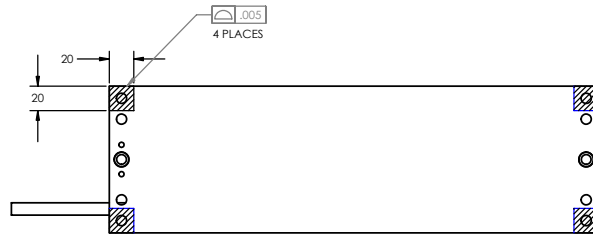


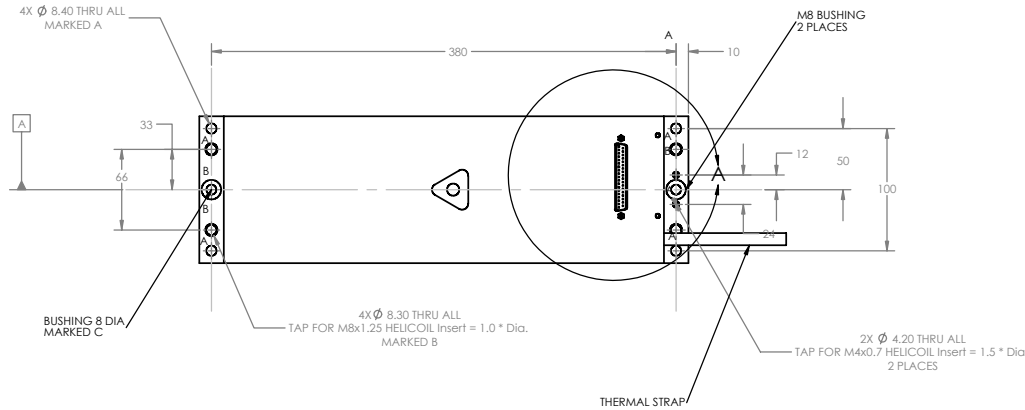
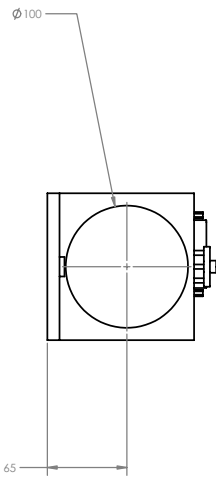
		REVISIONS		
ZONE	REV.	DESCRIPTION	DATE	APPROVED



**DETAIL A**

$\Phi 3.15 \mp 9.08$   
TAP FOR M3x0.5 HELICOIL Insert = 1.5 \* Dia.

**PIN 1  
37 PIN D-SUBMINIATURE CONNECTOR**



4X  $\Phi 8.40$  THRU ALL  
MARKED A

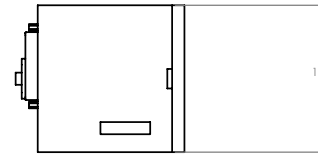
M8 BUSHING  
2 PLACES

BUSHING 8 DIA  
MARKED C

4X  $\Phi 8.30$  THRU ALL  
TAP FOR M8x1.25 HELICOIL Insert = 1.0 \* Dia.  
MARKED B

2X  $\Phi 4.20$  THRU ALL  
TAP FOR M4x0.7 HELICOIL Insert = 1.5 \* Dia.  
2 PLACES

THERMAL STRAP



**PROPRIETARY AND CONFIDENTIAL**  
THE INFORMATION CONTAINED ON THIS  
DRAWING IS THE SOLE PROPERTY OF  
HUBER COMPANY TRADE SEBS - AND  
INDICATED BY THE MARKING AND IS NOT  
TO BE REPRODUCED OR TRANSMITTED  
BY ANY MEANS, IN ANY FORM OR  
BY ANY INFORMATION STORAGE AND  
RETRIEVAL SYSTEMS WITHOUT THE  
WRITTEN PERMISSION OF HUBER  
COMPANY TRADE SEBS - S  
PROHIBITED.

		UNLESS OTHERWISE SPECIFIED:		NAME	DATE
DIMENSIONS ARE IN MILLIMETERS TOLERANCES FRACTIONS DECIMALS ANGLES	DECIMALS	±	FRAMES	DRAWN	
	FRACTIONS	±	FRAMES	CHECKED	
	ANGLES	±	MINUTE	DESIGNED BY	
	TYPICAL	±	FRAMES	APP'ROVED	
DIMENSIONS ARE IN MILLIMETERS		DIA.		COMMENTS	
INTERPRET GEOMETRIC TOLERANCING PER ASME Y14.5					
DATE		FRAG			
NEXT ASSY	USED ON				
APPLICATION					

			TITLE:	
			SMALL TELESCOPE LAYOUT	
SIZE	DWG. NO.	REV		
D	43-03003.10	02		
SCALE: 1:2	WEIGHT:	SHEET 1 OF 1		

$\Phi .005$