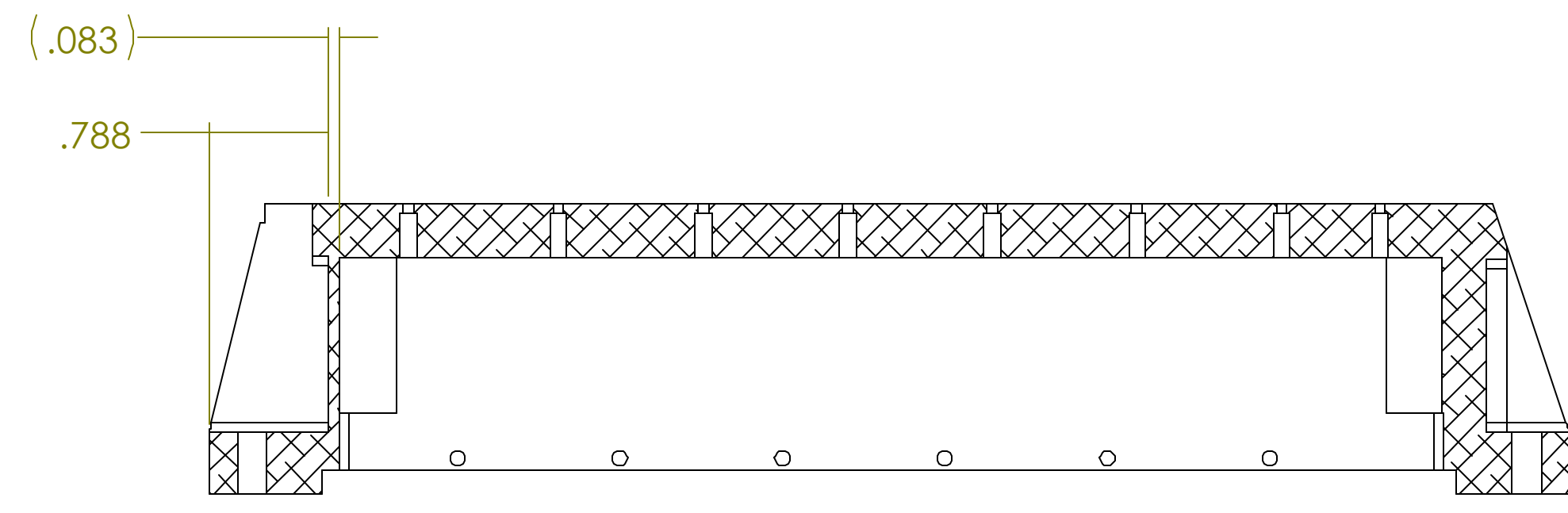
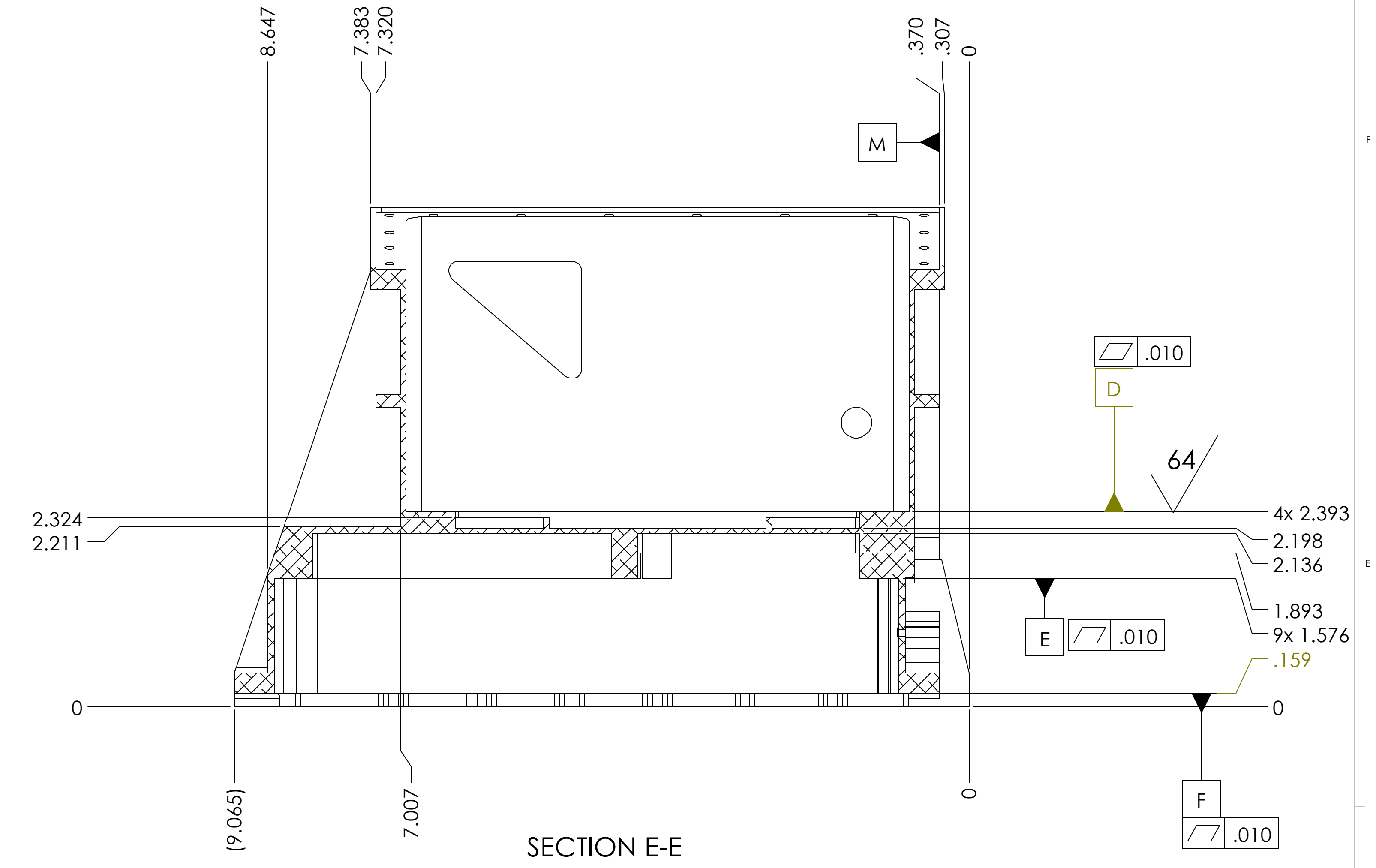
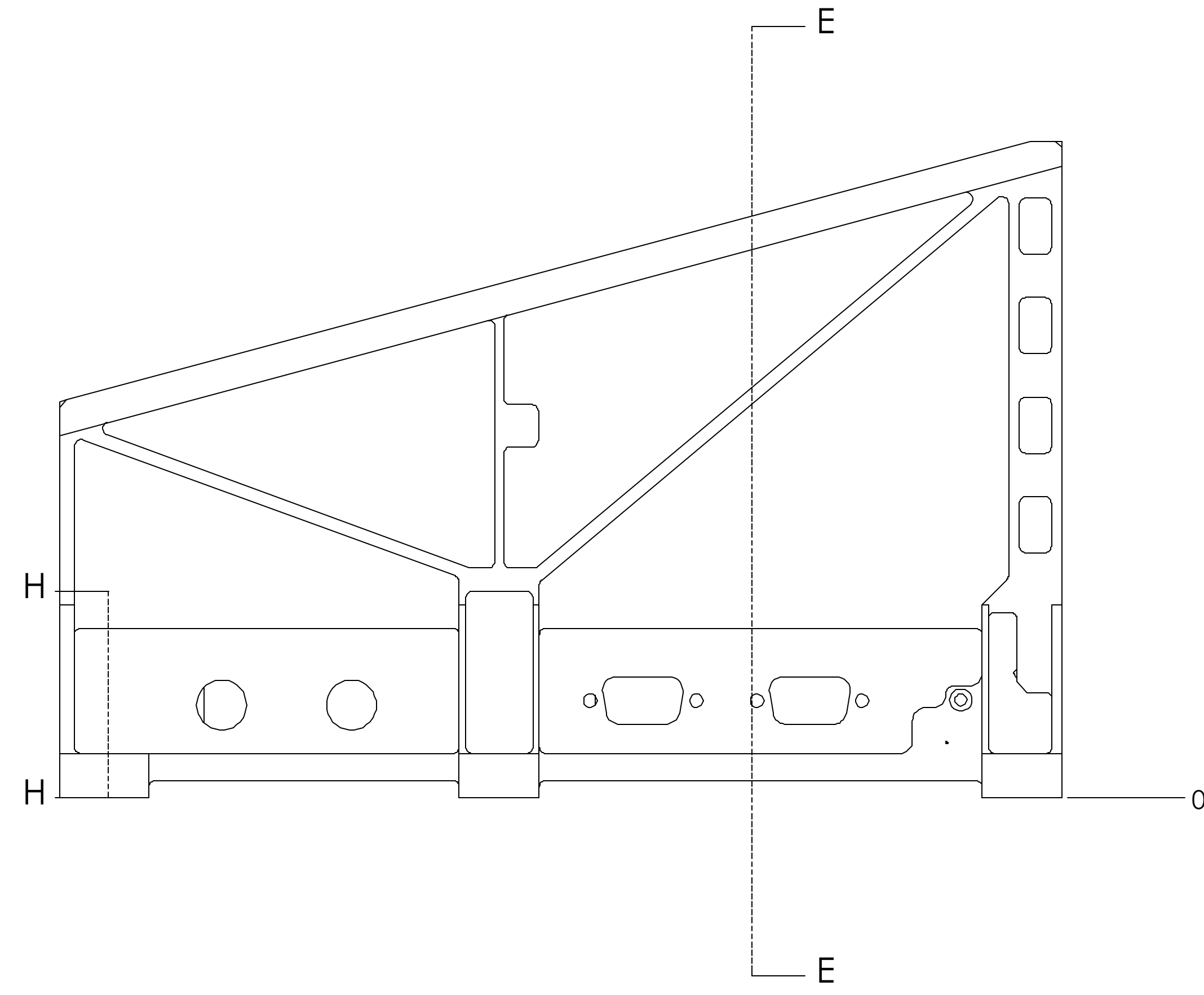


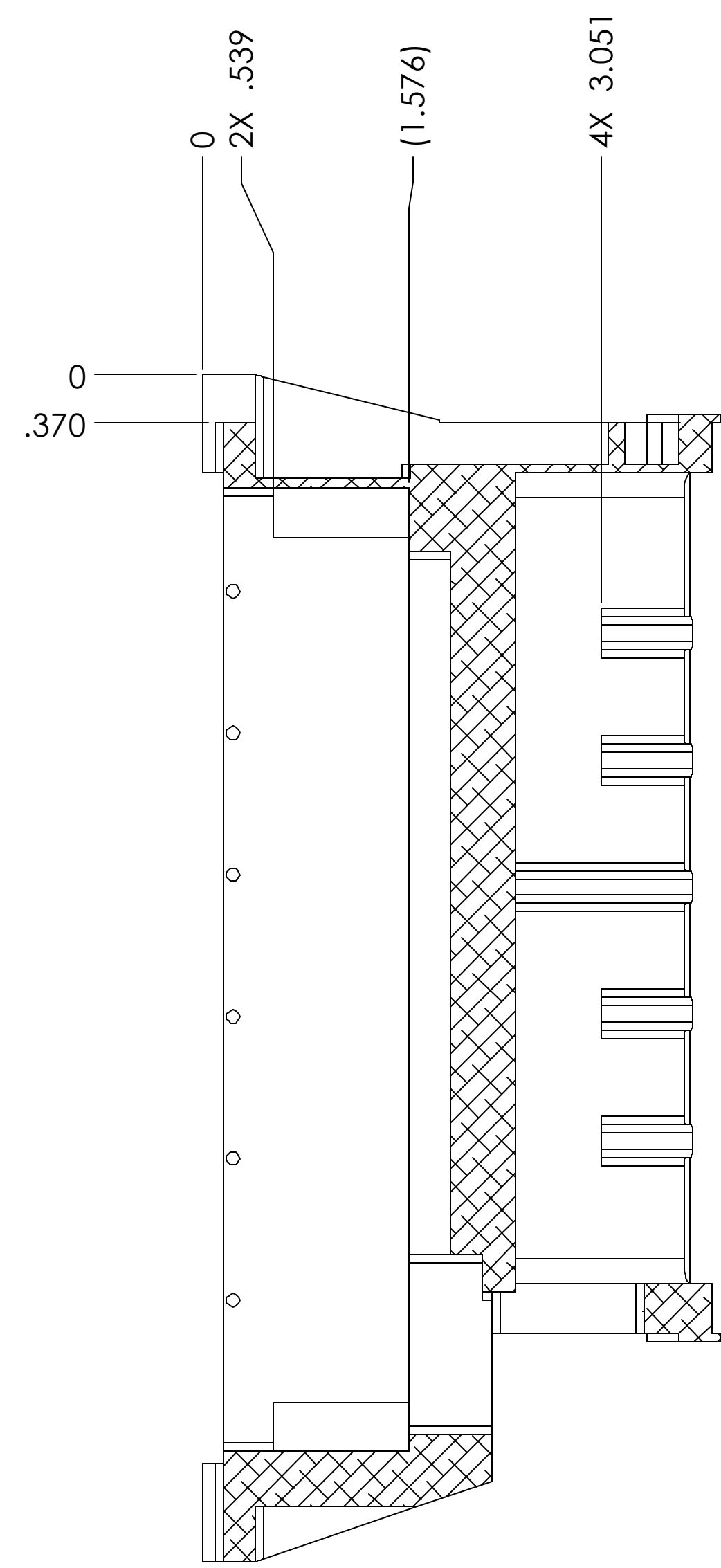
<small>EXPLANATORY AND OTHERWISE: THE INFORMATION CONTAINED IN THIS DRAWING IS THE PROPERTY OF MIT/B.U. AND IS NOT TO BE REPRODUCED OR TRANSMITTED IN ANY FORM OR BY ANY MEANS, ELECTRONIC OR MECHANICAL, INCLUDING PHOTOCOPYING, RECORDING, OR BY ANY INFORMATION STORAGE AND RETRIEVAL SYSTEM, WITHOUT THE WRITTEN PERMISSION OF MIT/B.U.</small>		<small>UNLESS OTHERWISE SPECIFIED: DIMENSIONS ARE IN INCHES TOLERANCES: FRACTIONS DECIMALS TWO PLACES DECIMALS THREE PLACES DECIMALS F</small>	<small>DRAWN: CHECKED: ENG APPR: MFG APPR: G.A. COMMENTS:</small>	<small>NAME DATE</small>	MIT/B.U. ELECTRONICS BOX HOUSING
<small>REV #001</small> <small>ISSUED ON</small> <small>APPLICATION</small>	<small>DATE</small> <small>BY</small> <small>REVISION</small>	<small>DATE</small> <small>BY</small> <small>REVISION</small>	<small>DATE</small> <small>BY</small> <small>REVISION</small>	<small>DATE</small> <small>BY</small> <small>REVISION</small>	<small>DATE</small> <small>BY</small> <small>REVISION</small>
<small>DATE: 11/11/03 TIME: 10:15 AM FILE: C:\S441\C3</small>				<small>SCALE: 1:1</small>	<small>REV A</small>
<small>SHEET 1 OF 4</small>				<small>32-20203</small>	<small>SHEET 1 OF 4</small>



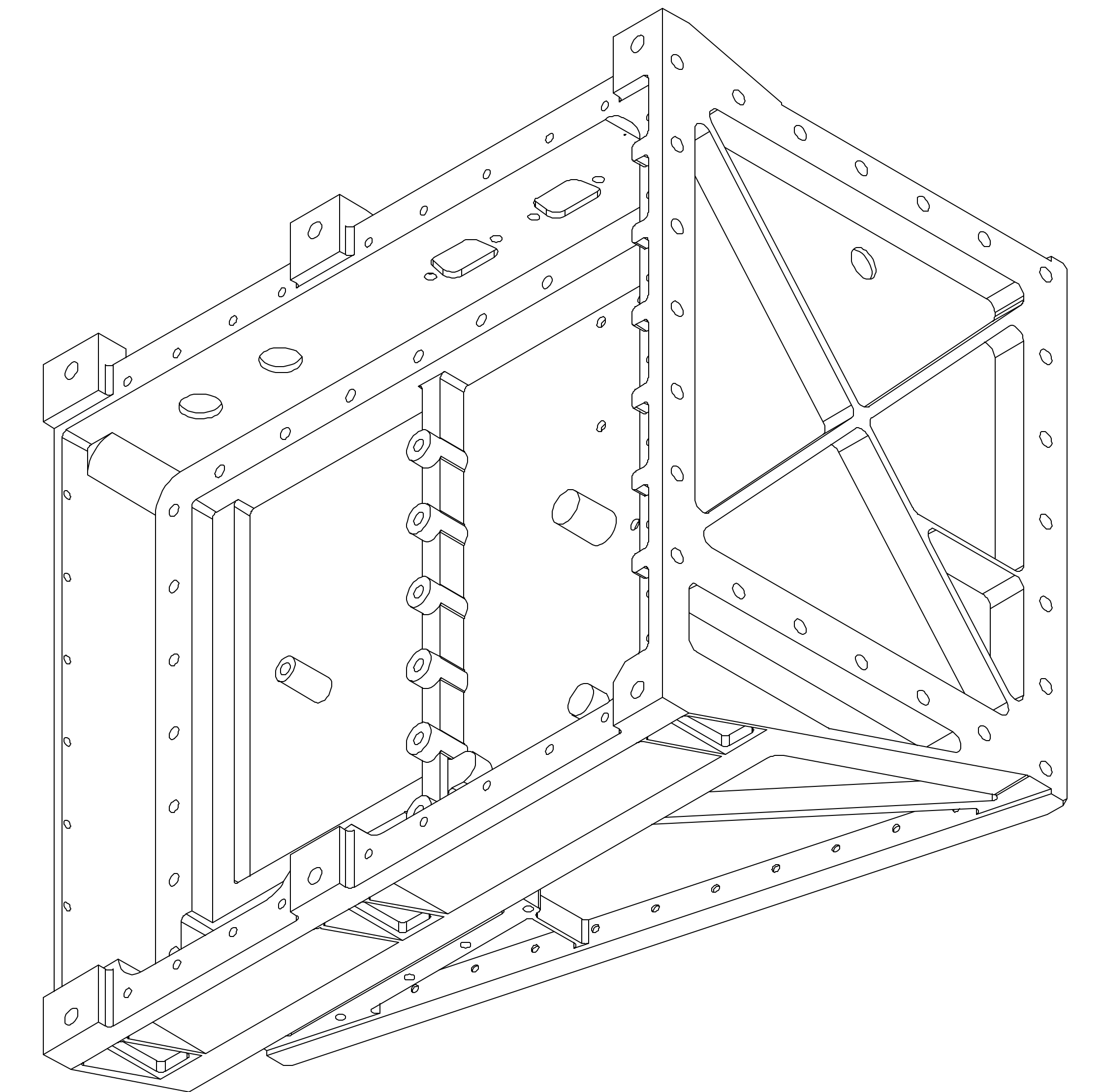
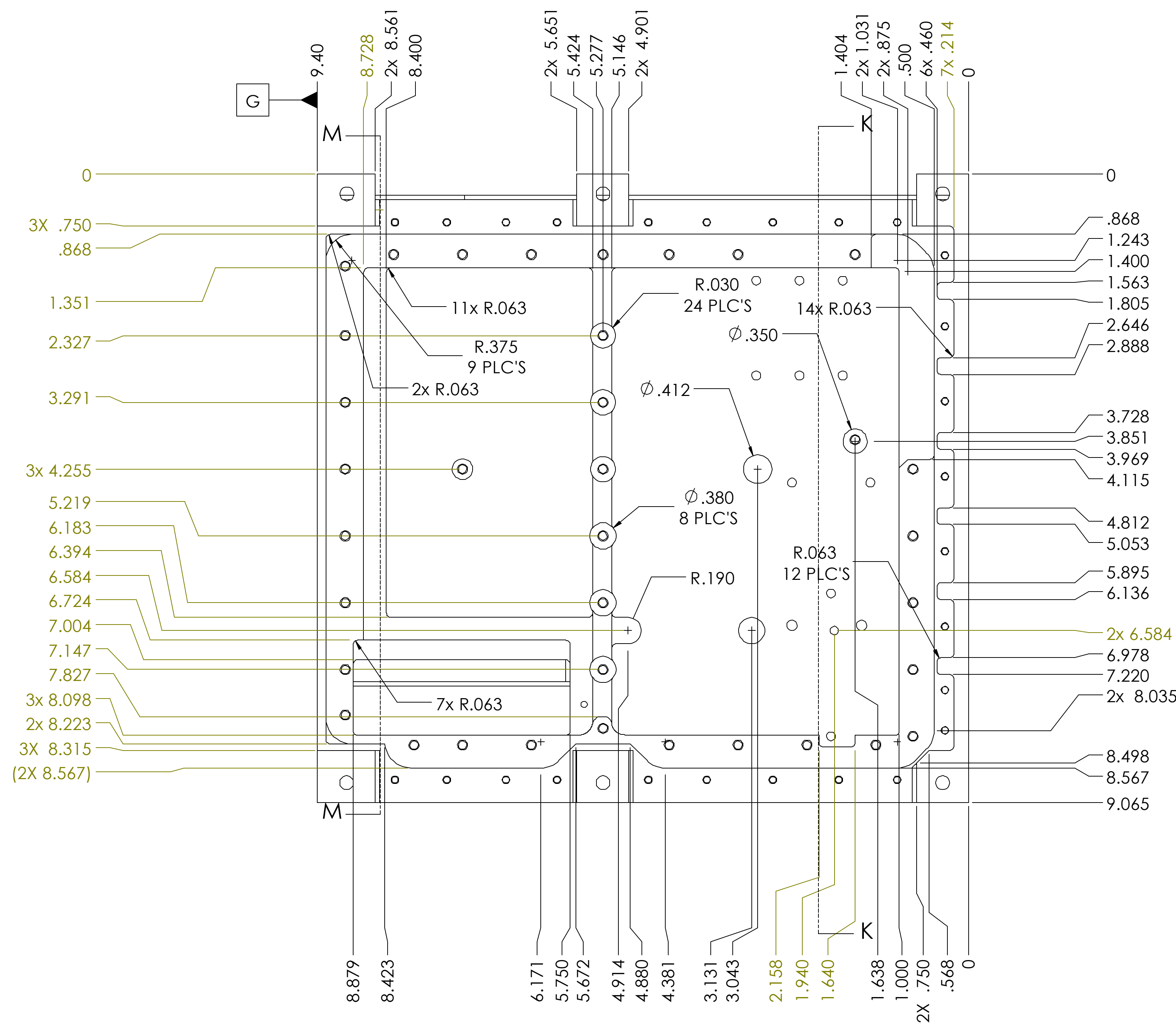
SECTION H-H

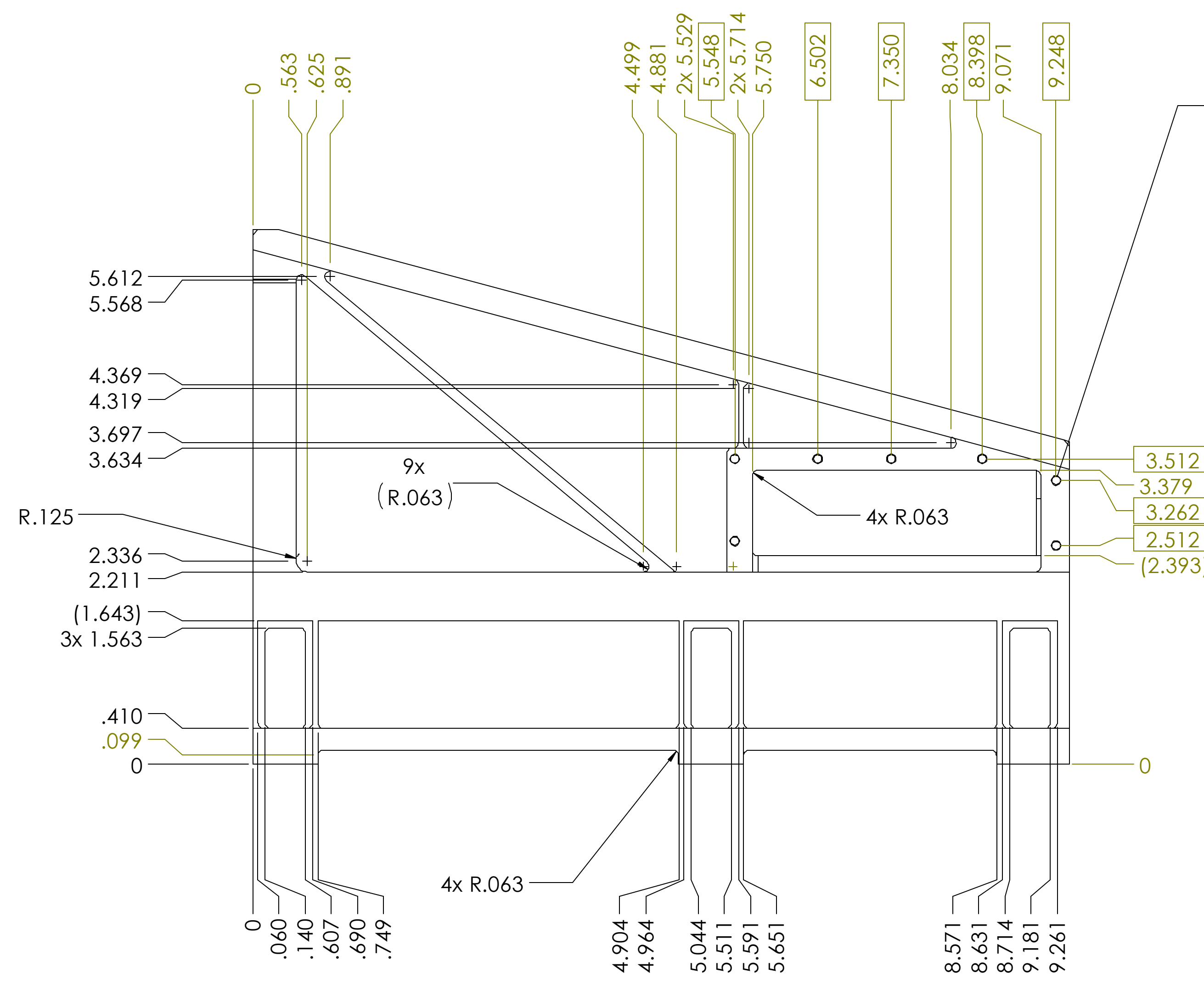


SECTION E-E

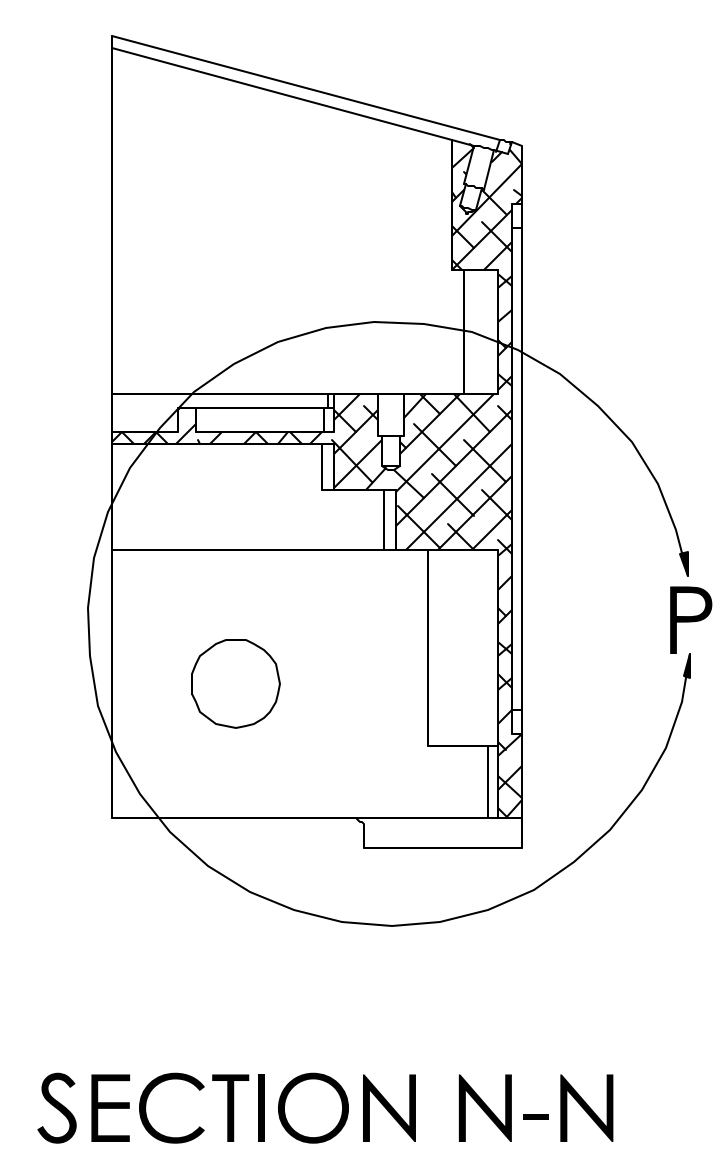
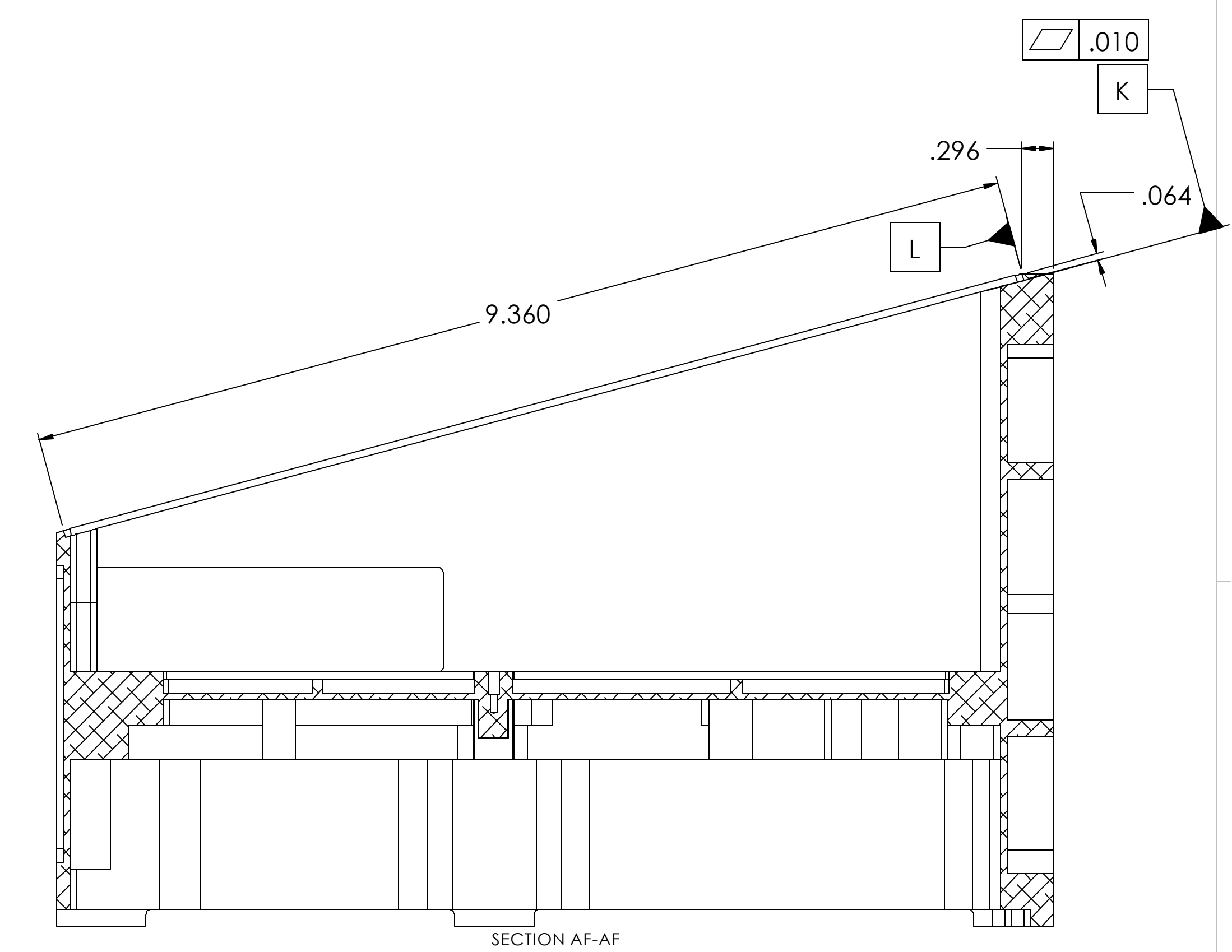
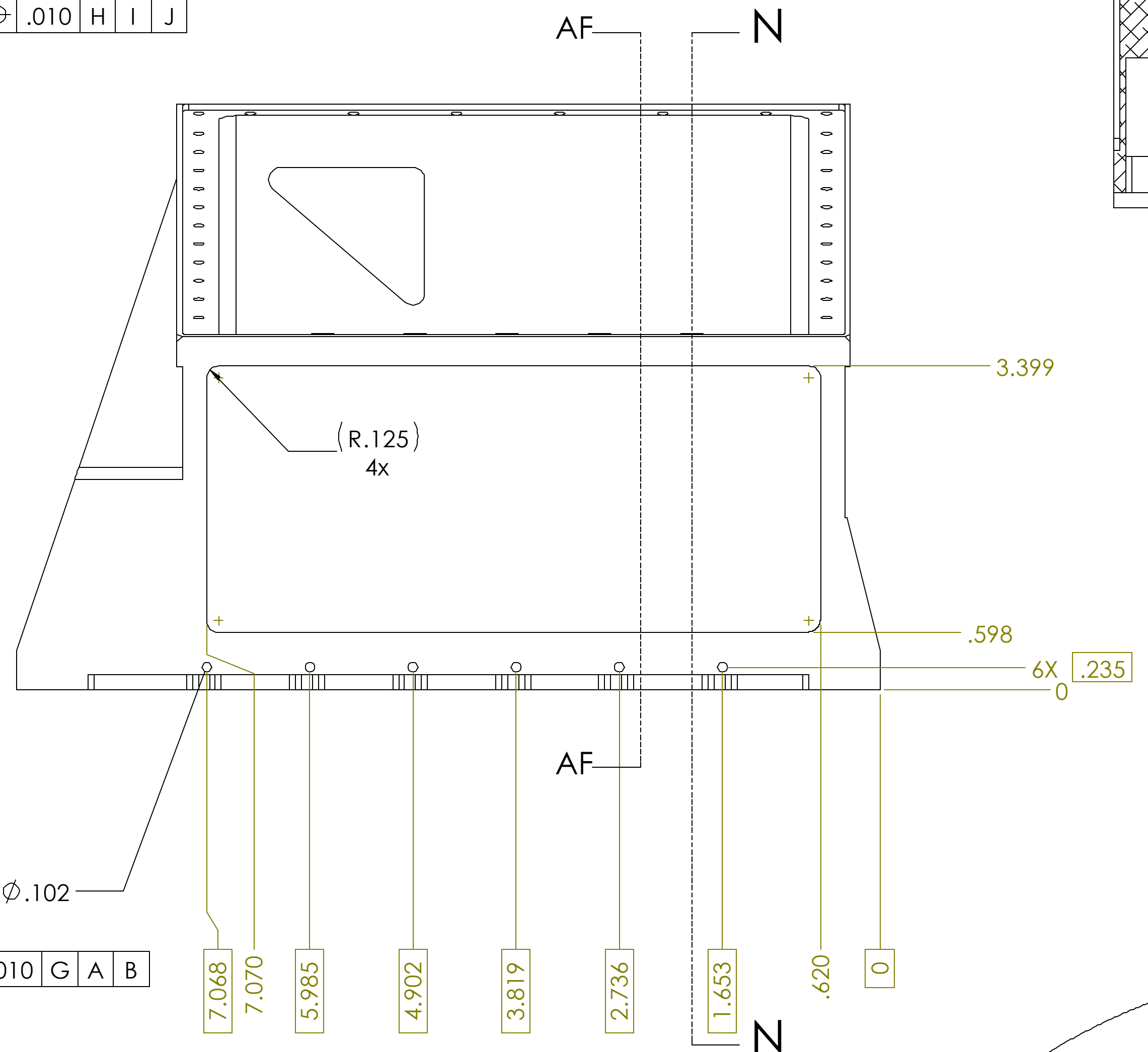


SECTION M-M

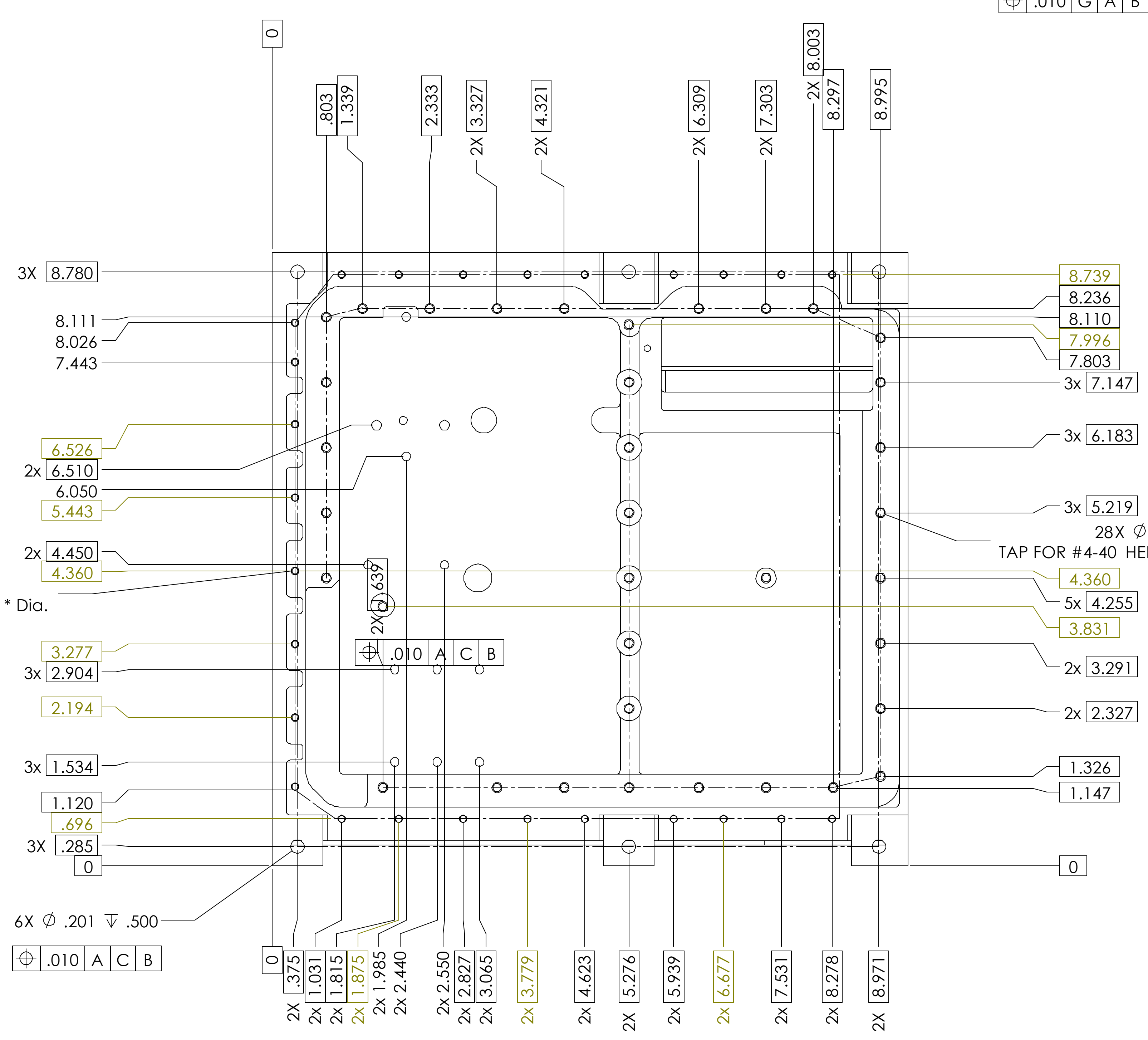




7X \varnothing .094 ∇ .330
 TAP FOR #2-56 HELICOIL Insert = 2.0 * Dia.
 \varnothing .010 H I J

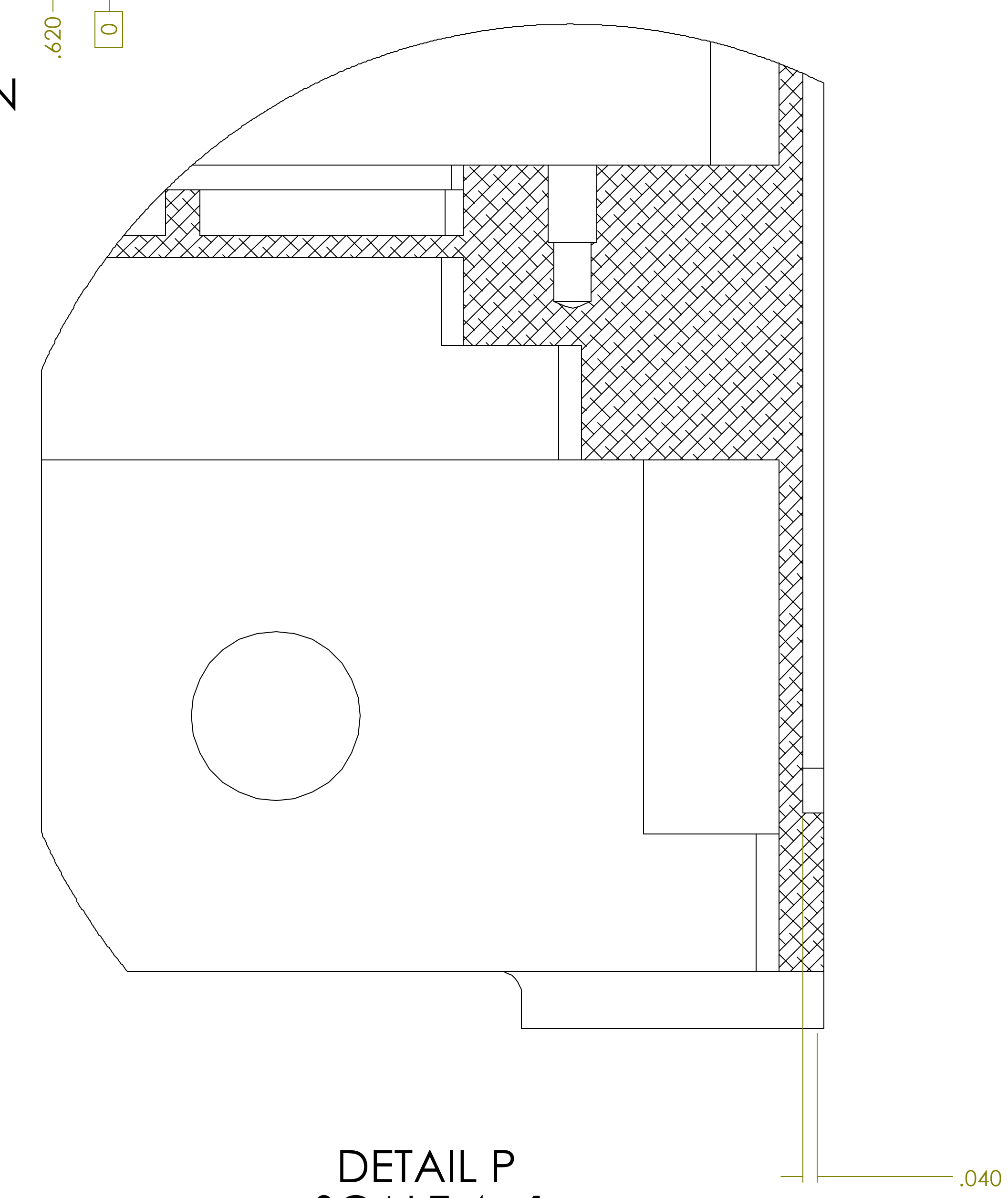


SECTION N-N



26X \varnothing .094 ∇ .204
 TAP FOR #2-56 HELICOIL Insert = 1.5 * Dia.
 \varnothing .010 F C B

28X \varnothing .120 ∇ .438
 TAP FOR #4-40 HELICOIL Insert = 2.0 * Dia.
 \varnothing .010 E C B



DETAIL P
 SCALE 4 : 1

