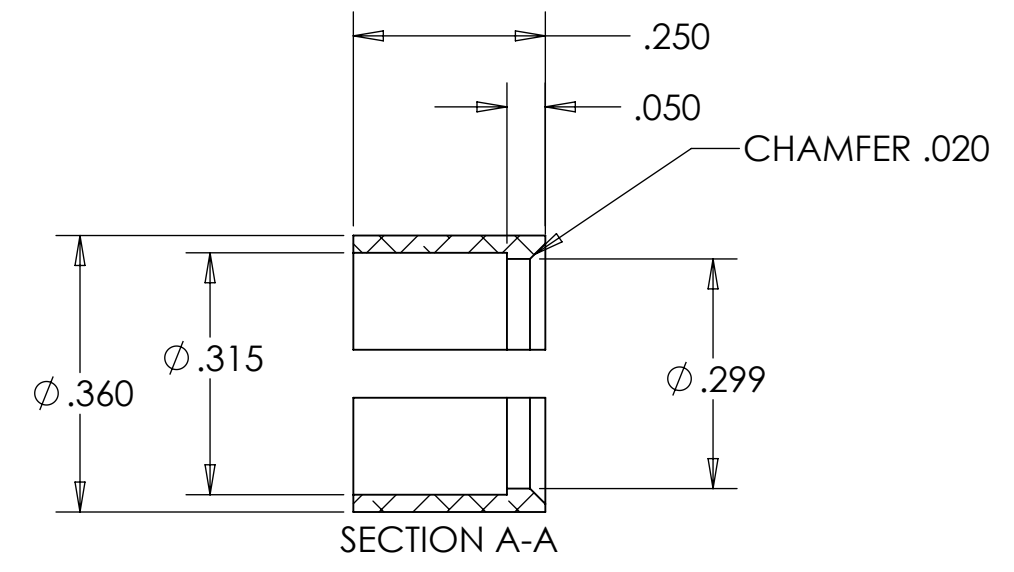
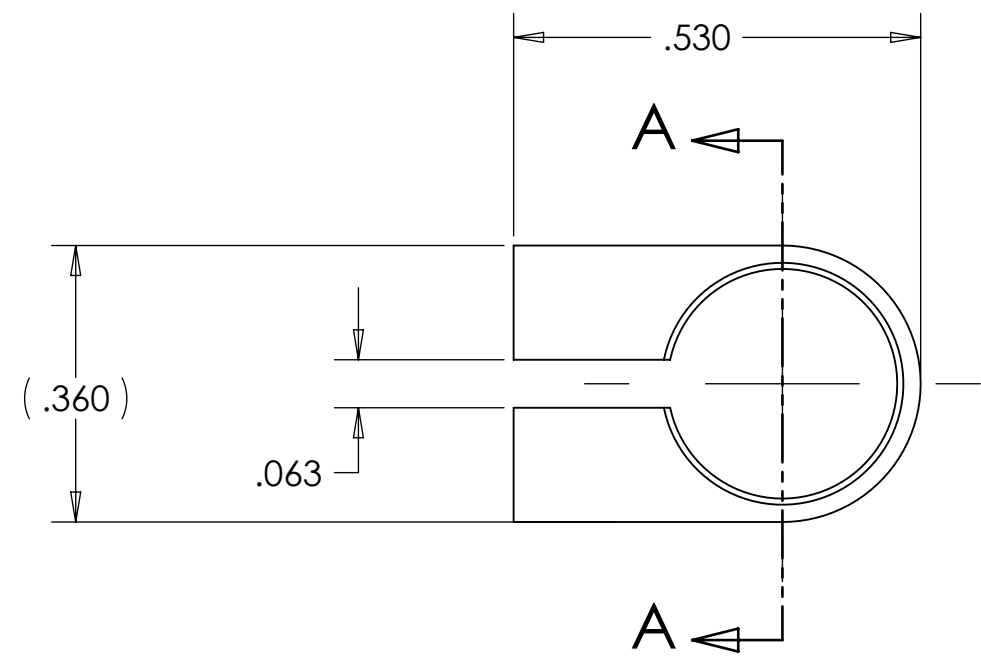
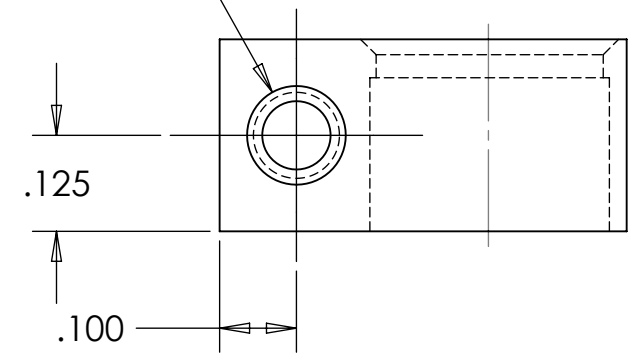



8 7 6 5 4 3 2 1

Ø .129 THRU NEAR SIDE  
#4-40 THD THRU FAR SIDE



UNLESS OTHERWISE SPECIFIED DIMENSIONS ARE IN INCHES TOLERANCES ARE:		
.XX ±.03	.XXX ±.010	
DRAWN A. LIN	DATE	PURGE CLAMP
MATERIAL ALUMINUM 6061-T6		
FINISH MIL-C-5541 CLASS 3		
USED ON CRGTER	SIZE B	DWG. NO. CTR06-PRGCLMP-MD-1
SCALE 4:1	DO NOT SCALE DRAWING	REV. SHEET 1 OF 1

8 7 6 5 4 3 2 1