

8

7

6

5

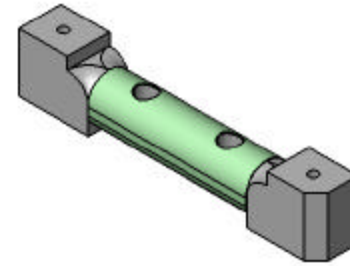
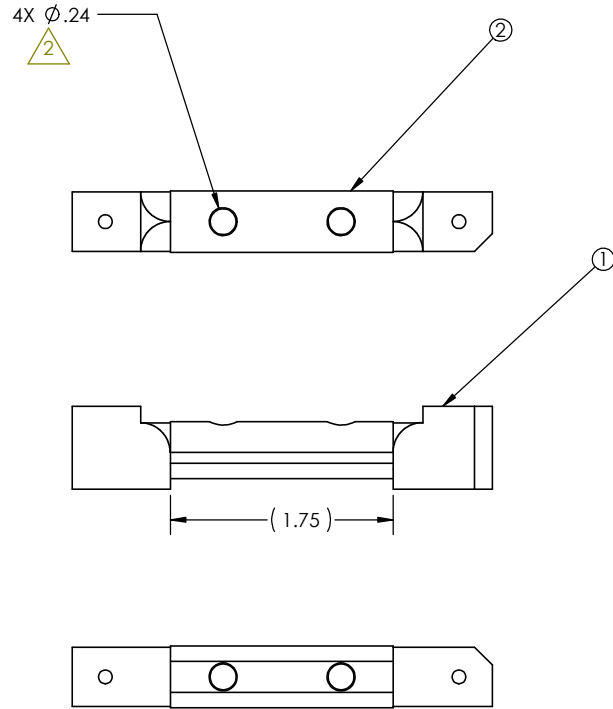
4

3

2

1

REVISIONS				
ZONE	REV.	DESCRIPTION	DATE	APPROVED
32-220	A	GENERATE NEW ASSEMBLY		



NOTES:
 1. CUT SLEEVING F/N 2 TO 1.75 IN.+0.00/- .12". SLIDE OVER F/N 1 AND CENTER. SHRINK TUBING.



CUT OUT ACCESS HOLES FOR MOUNTING HARDWARE.

		UNLESS OTHERWISE SPECIFIED:	NAME	DATE	CRATER: B.U./MIT
		DIMENSIONS ARE IN INCHES	DRAWN		
		TOLERANCES:	CHECKED		TITLE:
		FRACTIONAL ±	ENG APPR.		BRIDGE, CABLE BASE
		ANGULAR: MACH ± BEND ±	MFG APPR.		ASSEMBLY
		TWO PLACE DECIMAL ±	Q.A.		SIZE DWG. NO. REV
		THREE PLACE DECIMAL ±	COMMENTS:		B 32-10255 A
		INTERPRET GEOMETRIC TOLERANCING PER:			SCALE: 1:2 WEIGHT: SHEET 1 OF 1
		MATERIAL			
		FINISH			
NEXT ASSY	USED ON				
APPLICATION		DO NOT SCALE DRAWING			

8

7

6

5

4

3

2

1

D

C

B

A

D

C

B

A