

8

7

6

5

4

3

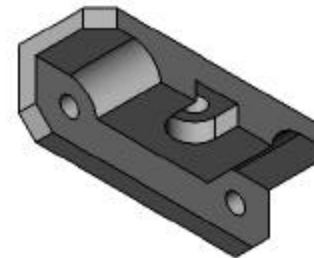
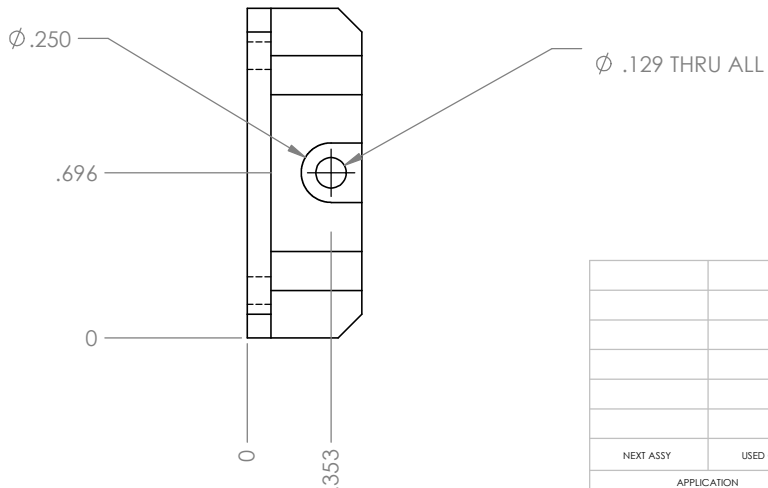
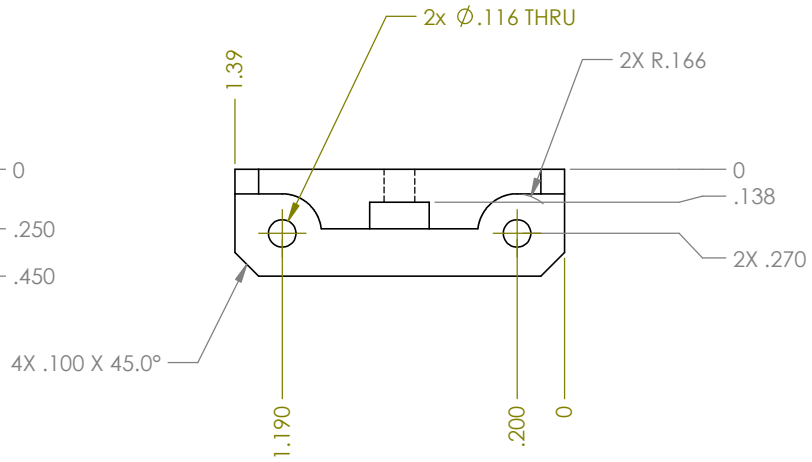
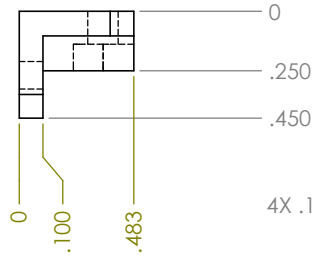
2

1

REVISIONS				
ECO	REV.	DESCRIPTION	DATE	APPROVED
32-189	01	INITIAL RELEASE		
32-220	A	CHANGE TO ALUMINUM 6061-T6, CHEM FILM	JUNE 3, 2007	

Notes

- 1. CHEM FILM PER MIL-C-5541, CL3
- 2. DEBUR AND BREAK SHARP EDGES.



		UNLESS OTHERWISE SPECIFIED:	NAME	DATE	CRATER; B.U./ MIT
		DIMENSIONS ARE IN INCHES	DRAWN		TITLE: BRACKET, CABLE SUPPORT
		TOLERANCES:	CHECKED		
		FRACTIONAL ±	ENG APPR.		
		ANGULAR: MACH ± BEND ±	MFG APPR.		
		TWO PLACE DECIMAL ±.01	Q.A.		SIZE DWG. NO. REV
		THREE PLACE DECIMAL ±.005	COMMENTS:		B 32-10253 A
		INTERPRET GEOMETRIC TOLERANCING PER:			SCALE: 2:1 WEIGHT: SHEET 1 OF 1
		MATERIAL			
		AI, 6061-T6			
		FINISH Note 1.			
NEXT ASSY	USED ON	APPLICATION			
		DO NOT SCALE DRAWING			

8

7

6

5

4

3

2

1

D

C

B

A

D

C

B

A