

6

5

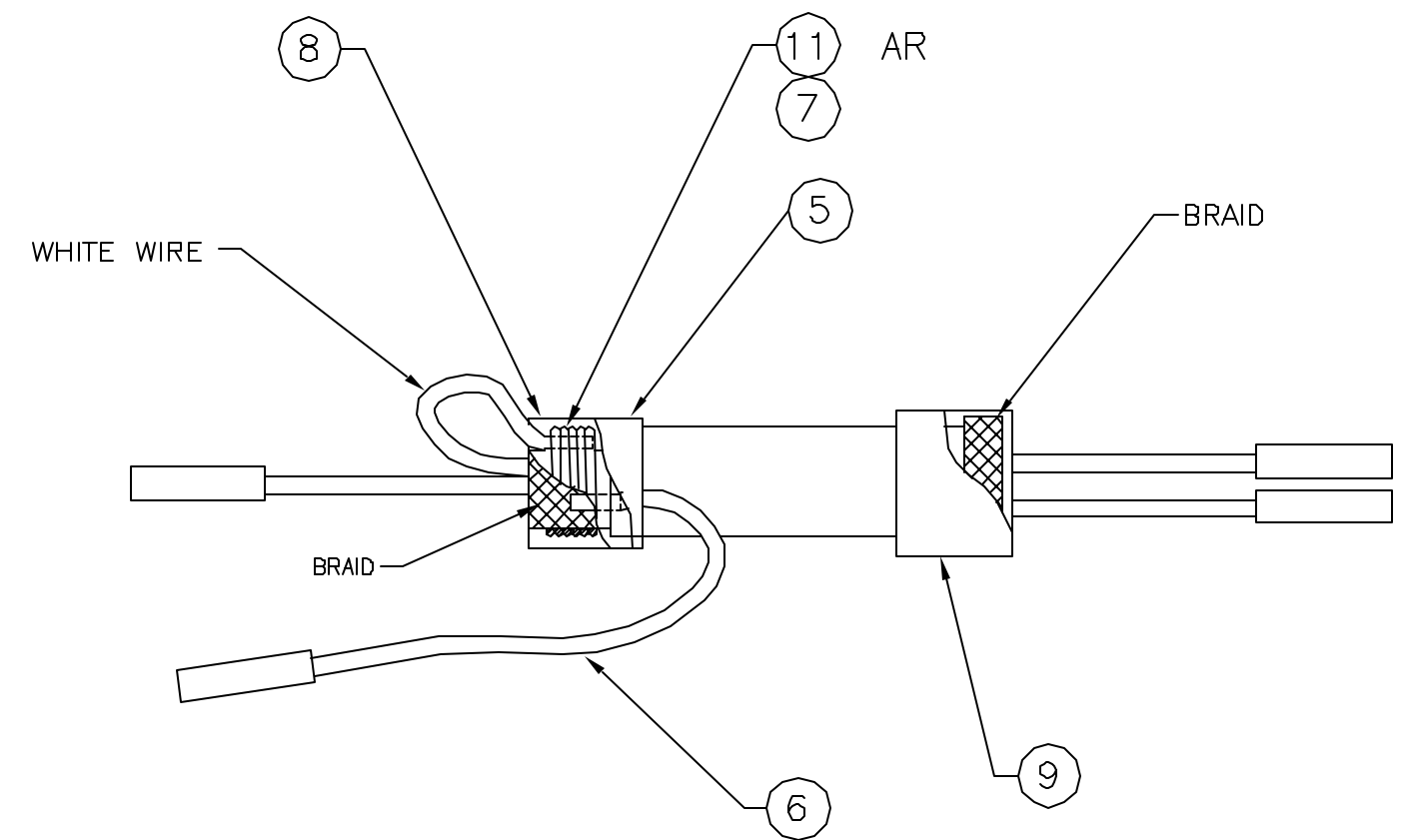
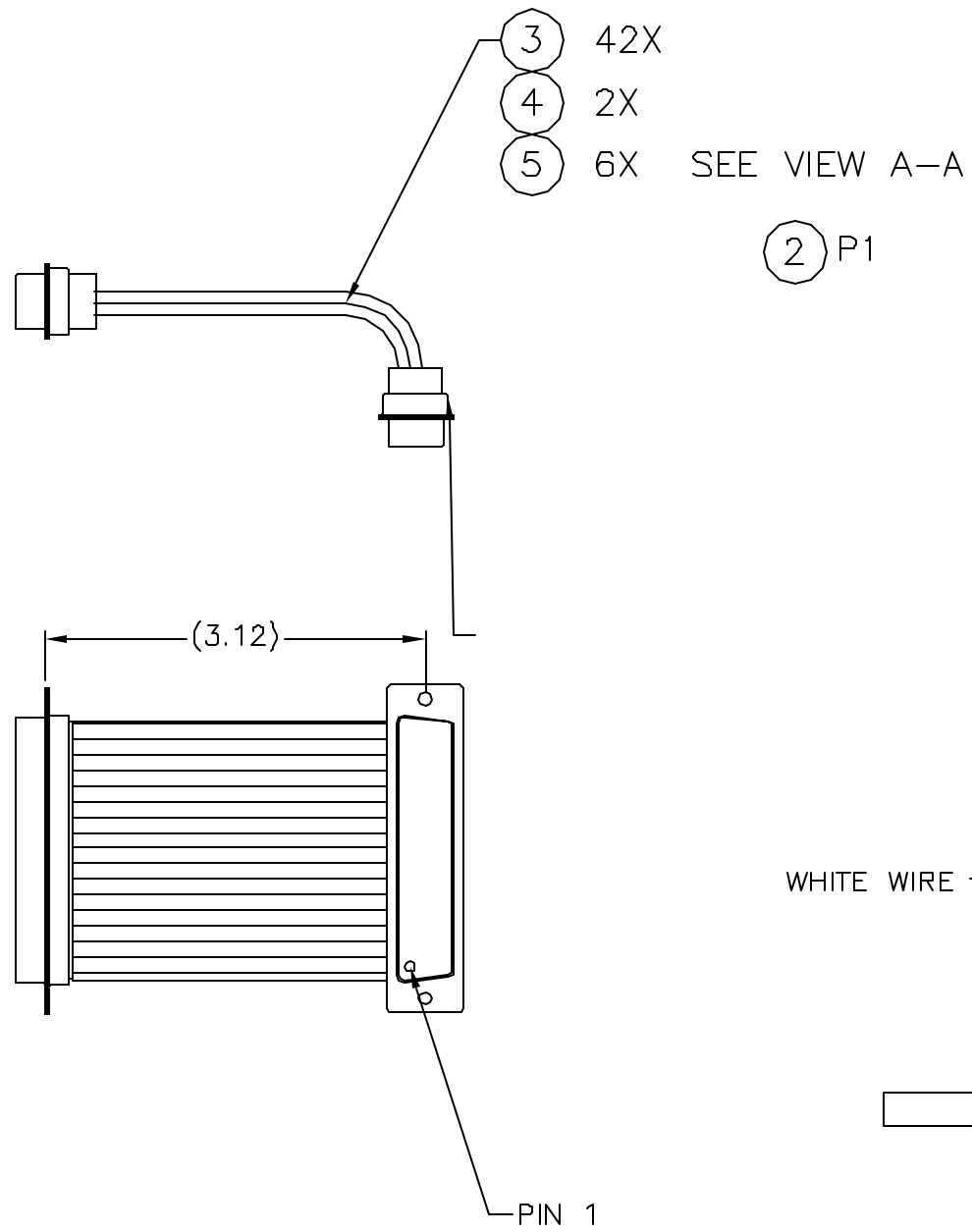
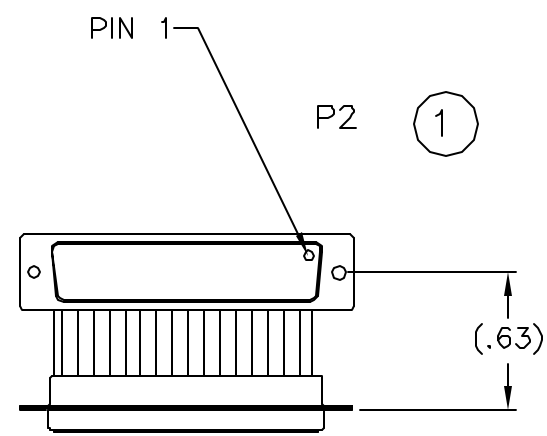
4

3

2

1

		REVISIONS			
REV.	ECD NO.	DESCRIPTION	CHECKED	APPROVED	DATE
A	32-197	RELEASE FOR FLIGHT			



VIEW A-A
SHIELDED AND GROUND WIRE
FABRICATION
6 PLACES

NOTES:

- CLEAN AND HANDLE IAW 30-01312.
- INSTALL AND TEST CONTACTS PER NASA STD 8739.4
- REFER TO 32-03007 FOR SCHEMATIC WIRING LIST.
- PERFORM PULL TESTS FOR CRIMP TOOL QUALIFICATIONS.
- PERFORM CONTACT RETENTION PUSH AND PULL TEST PER NASA-STD-8739.4 AFTER CONTACTS HAVE BEEN INSTALLED IN THE CONNECTORS.
- COVER ENDS OF UNTERMINATED TWISTED PAIRS(F/N 4) AT P1 END USING F/N 10.

NAME	DATE
DRAWN	
CHECKED	
APPROVED	
RELEASED	
WEK:IT	

UNLESS OTHERWISE SPECIFIED:
DIMENSIONS SHALL BE INTERPRETED IAW ANSI Y14.5 - 1982
DIMENSIONS ARE IN INCHES
TOLERANCE: ANGLES $\pm 1'$
3 PLACE DECIMALS $\pm .005$
2 PLACE DECIMALS $\pm .01$
THIRD ANGLE PROJECTION

MASSACHUSETTS INSTITUTE OF TECHNOLOGY CENTER FOR SPACE RESEARCH CAMBRIDGE, MA 02139			
CABLE ASSY, DIGITAL TO ANALOG			
SIZE	CADE CODE	DWG. NO.	REV.
D	80230	32-10209	A
SCALE NONE			SHEET 1 OF 1

6

5

4

3

2

1