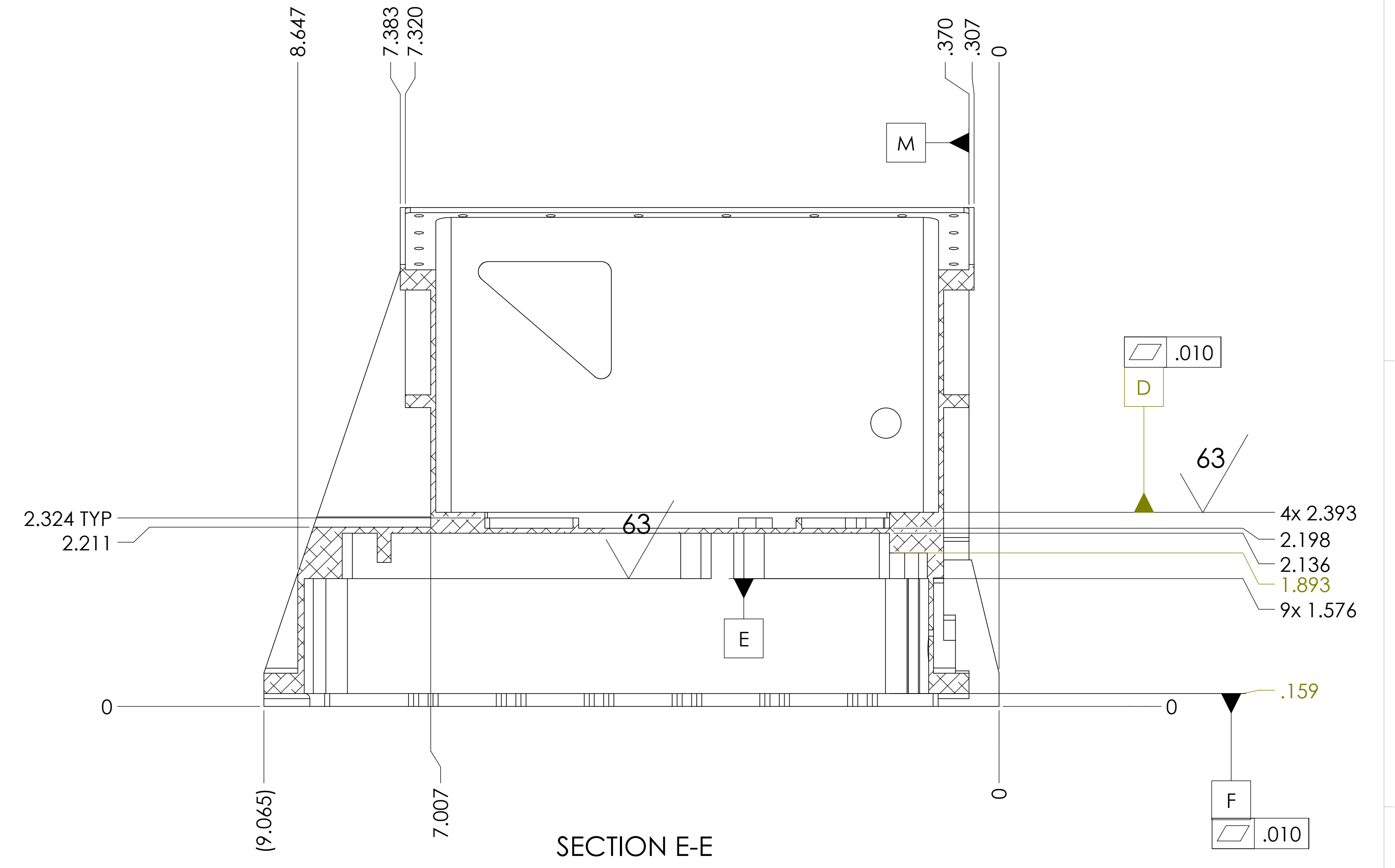
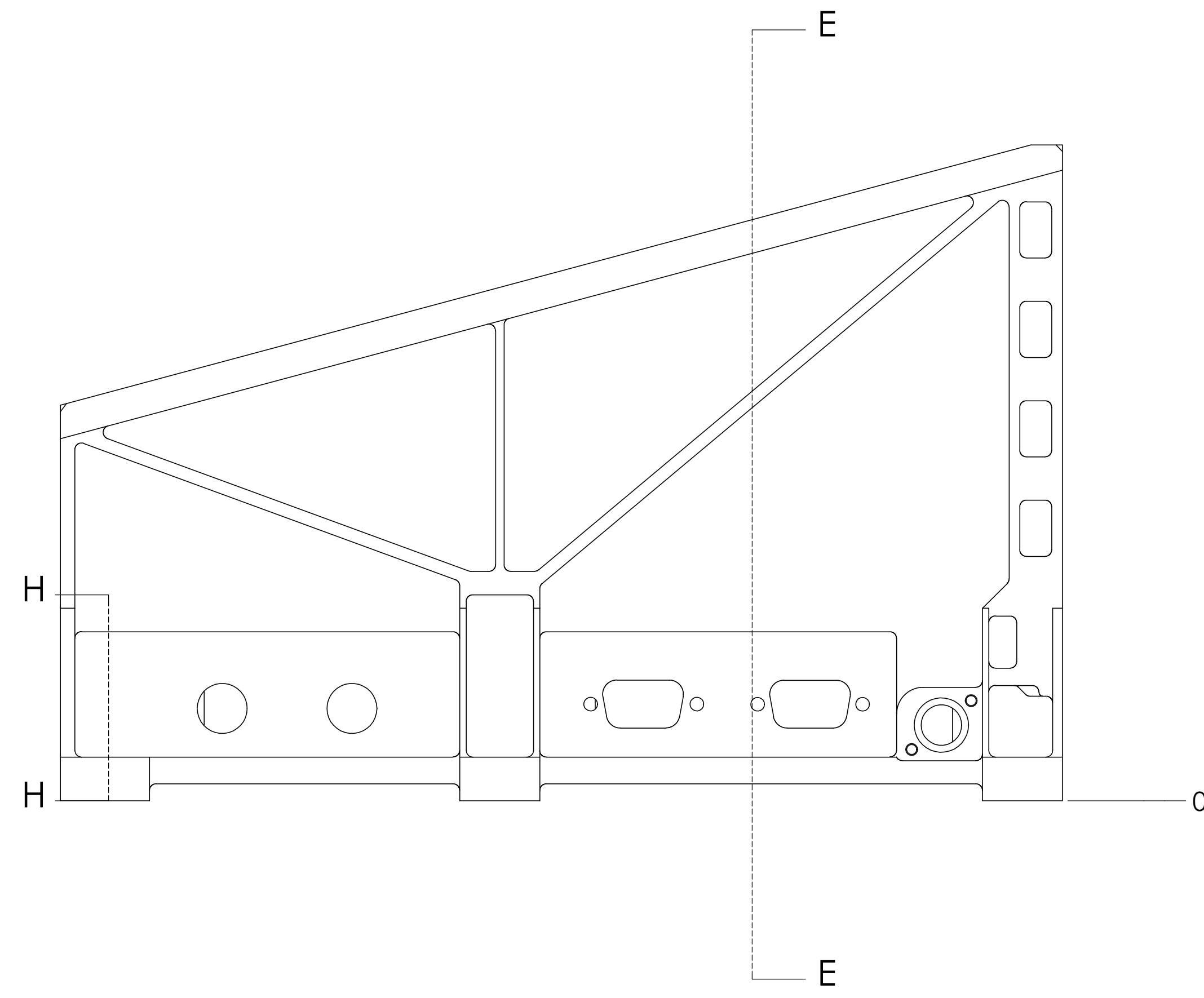
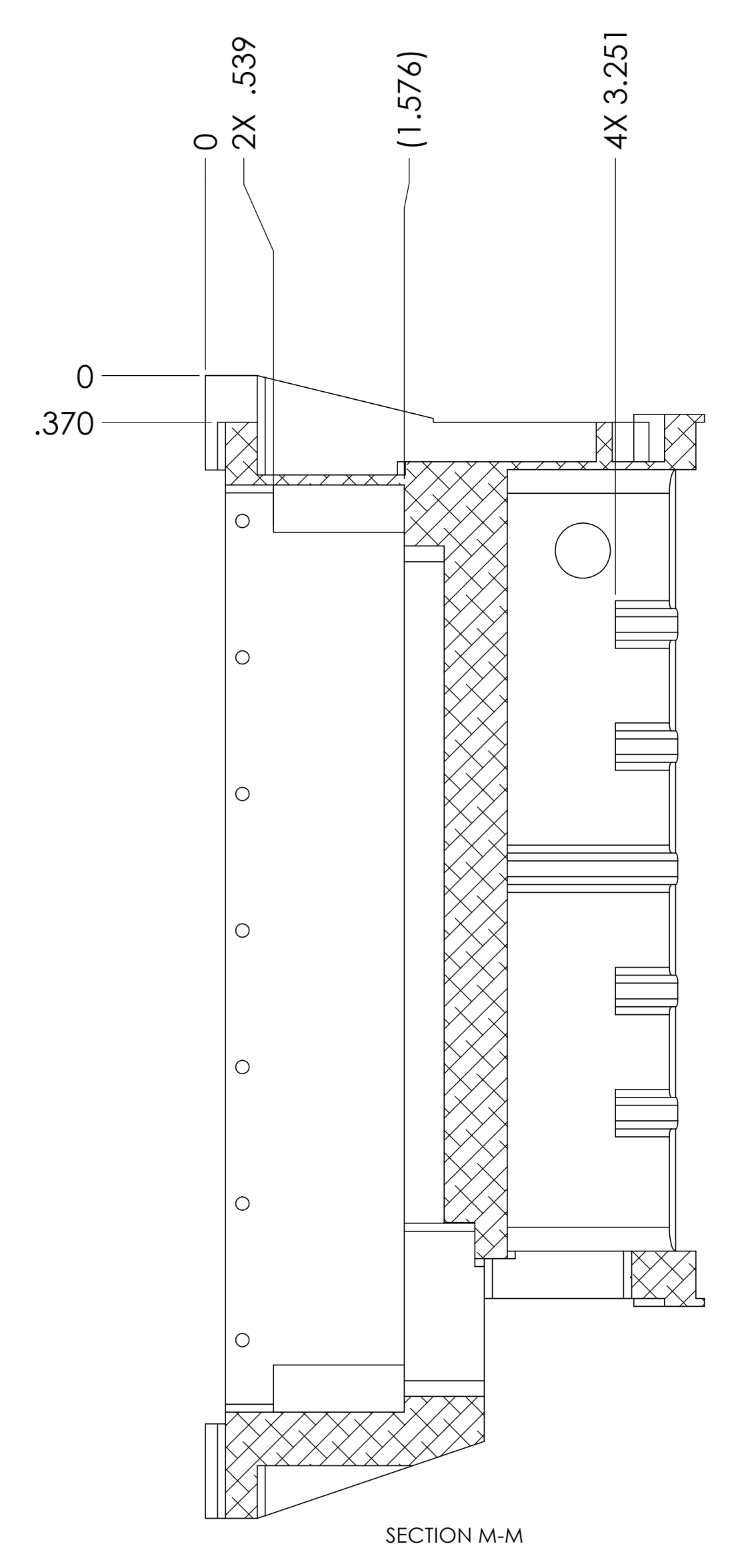


SECTION H-H



SECTION E-E



SECTION M-M

