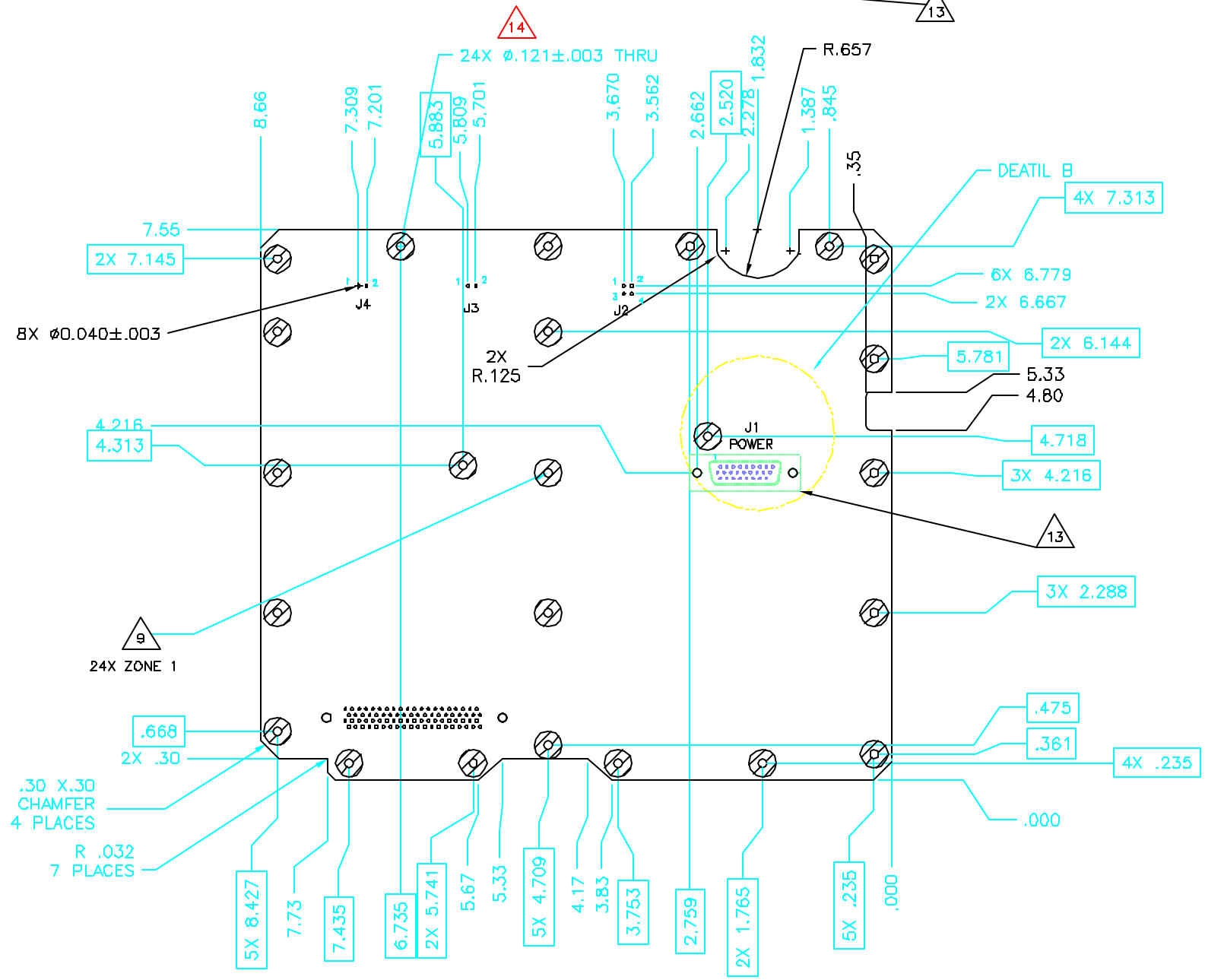
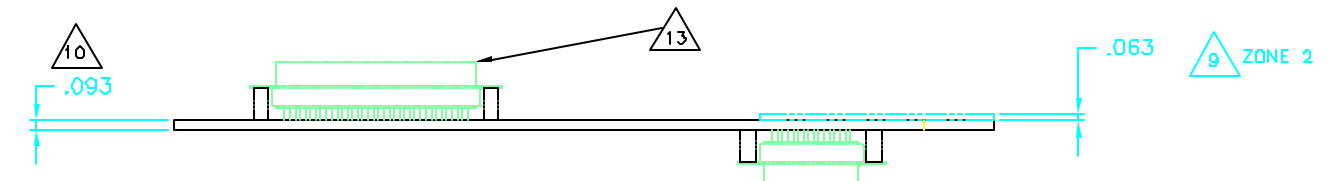
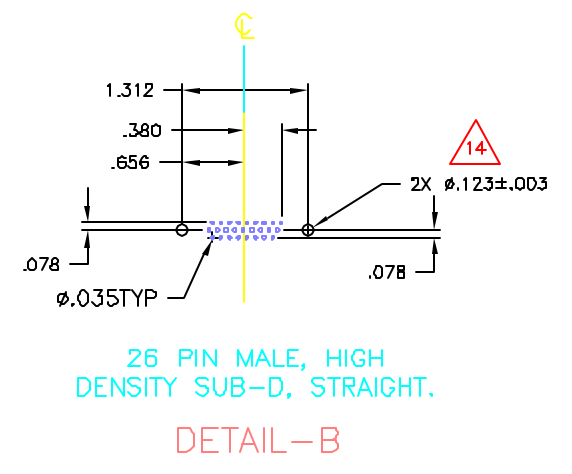
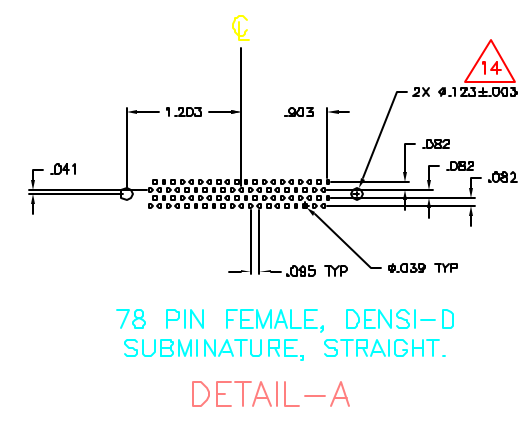
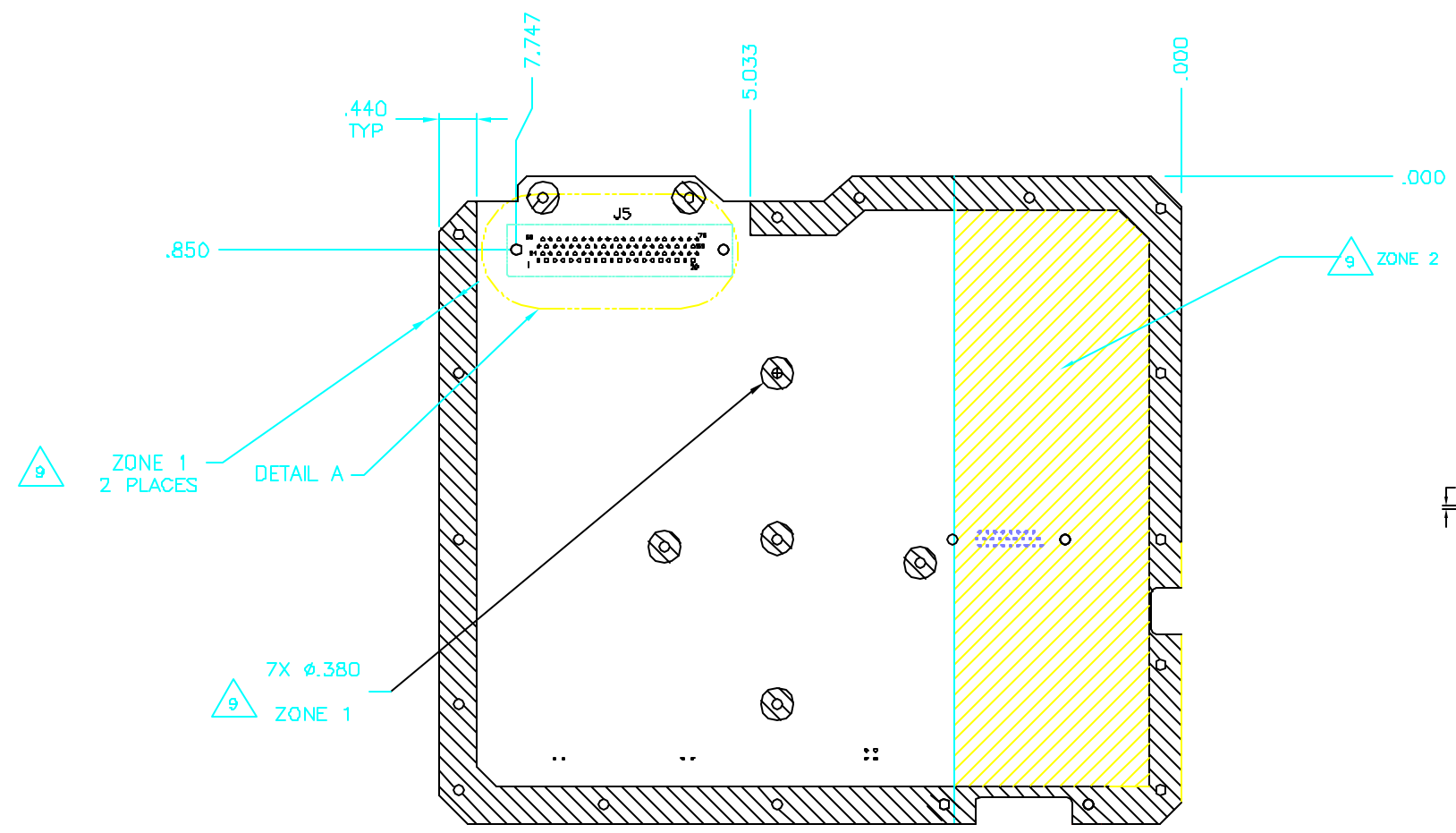


8 7 6 5 4 3 2 1

REVISIONS				
ECO	REV	DESCRIPTION	DATE	APPROVED
32-162	A	MAKE FROM DWG 32-10202.01 REV B RENAME OUTLINE DRAWING, CHG OUTLINE AND ADD NTC HOLES CHANGE 13 PIN D TO 26 PIN D		
32-183	B	CHANGE MOUNTING HOLES FROM PLATED TO NON-PLATED.	10/27/08	



- NOTES:
- ALL PLATED THRU HOLES TO BE FREE OF SOLDER MASK.
  - UNTOLERANCED DIMENSIONS LOCATING TRUE POSITION ARE BASIC.
  - HOLE SIZES ARE AFTER PLATING.
  - PRINTED WIRING BOARD PART NUMBER IS 32-10202.01
  - DESIGN SHALL BE IAW IPC-2221 AND IPC-2222(CLASS 3, LEVEL A).
  - MANUFACTURING SHALL BE IAW IPC-6011 AND IPC-6012 (CLASS 3, LEVEL A)
  - SOLDER MASK MUST BE APPLIED OVER BARE COPPER, EXCEPT AS NOTED.
- MARKING SHALL INCLUDE AS A MINIMUM:
- | MARKING                    | OBTAINED FROM      |
|----------------------------|--------------------|
| MANUFACTURER'S NAME        | PWB MANUFACTURER   |
| MANUFACTURER'S PART NUMBER | PWB MANUFACTURER   |
| MANUFACTURER'S LOT CODE    | PWB MANUFACTURER   |
| PWB PART NUMBER            | 32-10202.01        |
| PWB REVISION               | PWB PURCHASE ORDER |
| PWB SERIAL NUMBER          | PWB MANUFACTURER   |
| ASSEMBLY PART NUMBER       | 32-10202           |
| CONNECTOR PIN DESIGNATION  | THIS DRAWING       |
- ZONE RESTRICTIONS:
- ZONE 1: NO CONDUCTORS OR GROUND PLANE IN THIS AREA
  - ZONE 2: .063 MAXIMUM COMPONENT OR LEAD HEIGHT IN THIS AREA, EXCEPT CONNECTOR.
- OVERALL THICKNESS INCLUDES PLATING.
- GROUND PLANE AND Vcc LAYER TO TERMINATE .050 MIN FROM BOARD EDGE.
  - SOLDER MASK MUST BE .004 LARGER THAN PADS AND RECTANGLES.
- CONNECTOR OUTLINES SHOWN FOR REFERENCE.
- DO NOT PLATE.

UNLESS OTHERWISE SPECIFIED DIMENSIONS ARE IN INCHES TOLERANCE: ANGLES +/- 1° 3 PLACE DECIMALS +/- .005 2 PLACE DECIMALS +/- .01		NAME	DATE	Massachusetts Institute of Technology Center for Space Research CRATER	
MATERIAL		DRAWN M. SMITH	10/2005	OULTINE DRAWING DIGITAL PCB	
FINISH		CHECKED		SIZE FSCM NO. D 80230 DWG NO. 32-10202.0101 REV B	
NEXT ASSEMBLY		USED ON	RELEASED	SCALE 1:1 SHEET 1 OF 1	
APPLICATION					

8 7 6 5 4 3 2 1