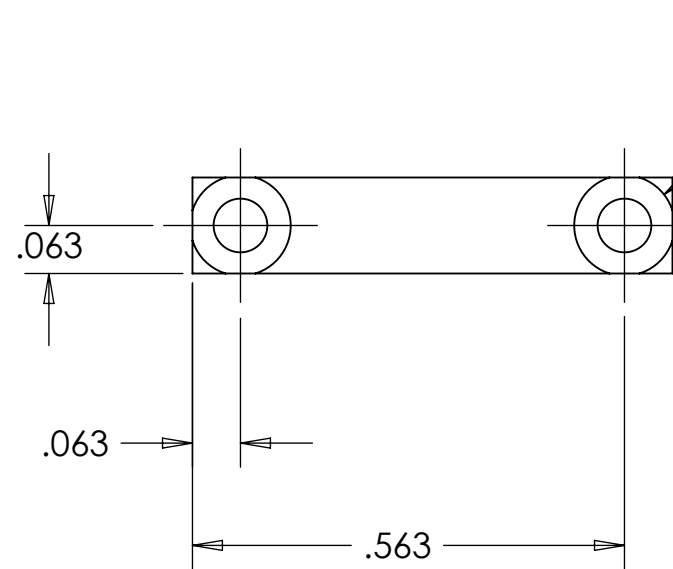
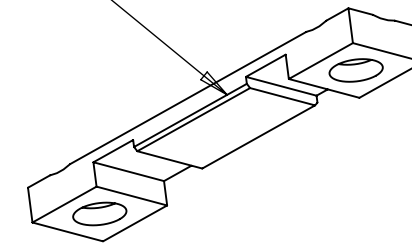


2X CHAMFER OR BREAK EDGE
TO .005



-1 2X ϕ .070 THRU
 \surd ϕ .131 X 100°
 -2 2X ϕ .070 THRU



UNLESS OTHERWISE SPECIFIED DIMENSIONS ARE IN INCHES TOLERANCES ARE:			THE AEROSPACE CORPORATION
.XX ±.03	.XXX ±.010	ANGLES ±0°30'	
DRAWN A. LIN	DATE 8/15/06	DETECTOR WIRE CLAMP CS	
MATERIAL BLACK DELRIN		SIZE B	DWG. NO. CTR06-DTRSTRLF-MD-1-X
FINISH -		USED ON CRgTER	REV. -
SCALE 4:1		DO NOT SCALE DRAWING	
SHEET 1 OF 1			