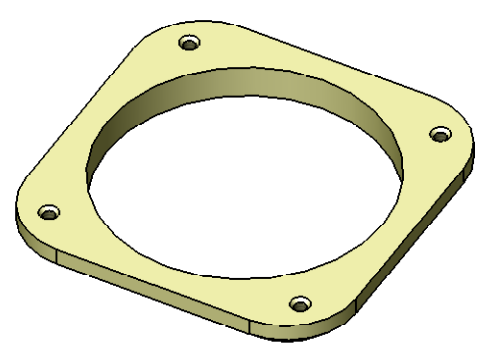
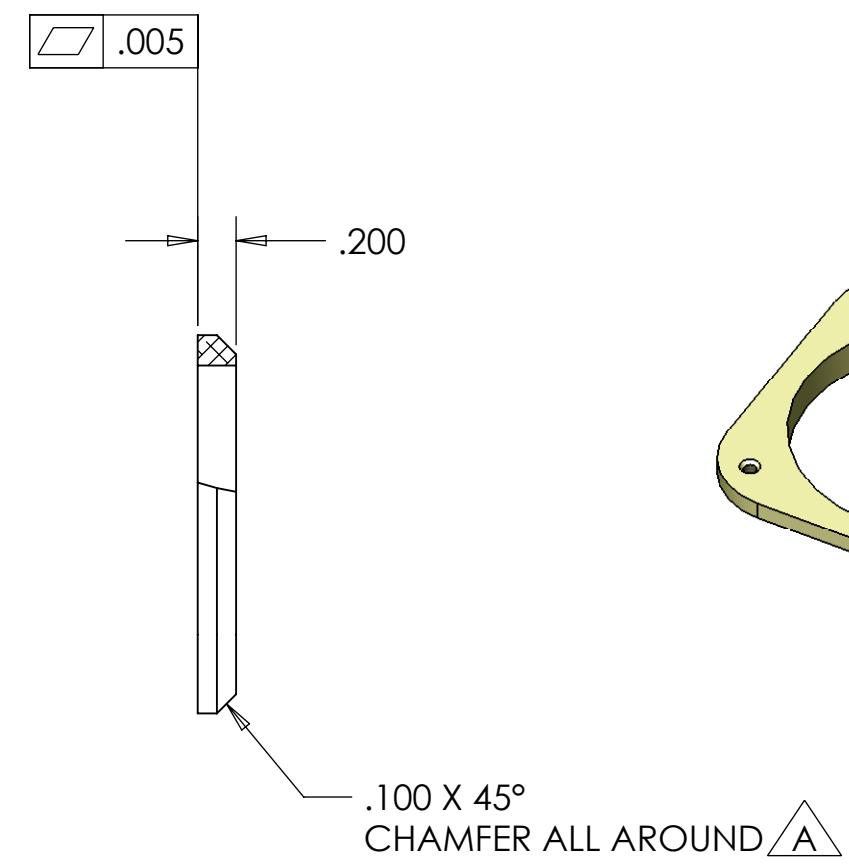
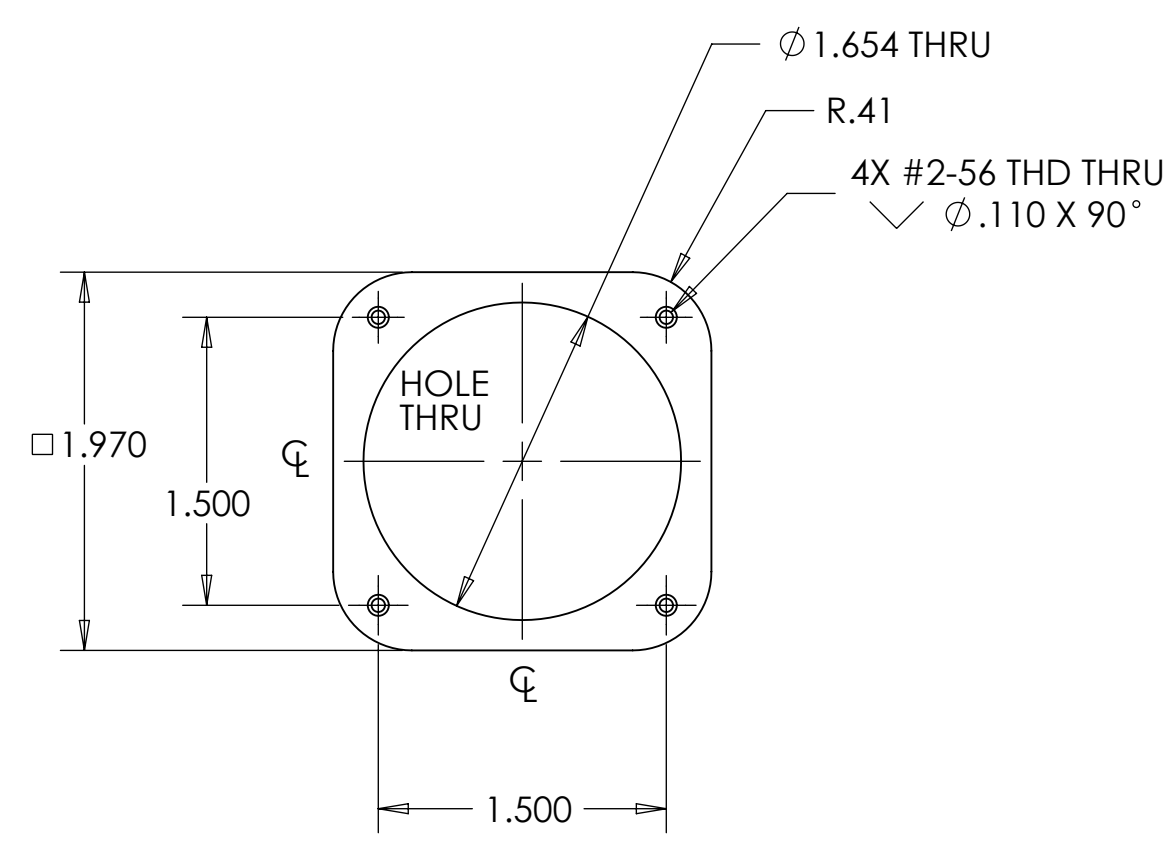


REVISIONS		
REV.	DESCRIPTION	DATE
\triangle A	ADDED .10 CHAMFER ALL AROUND	8/15/06
B	REMOVED LIP	4/20/07



UNLESS OTHERWISE SPECIFIED DIMENSIONS ARE IN INCHES TOLERANCES ARE:		THE AEROSPACE CORPORATION
.XX ±.03	.XXX ±.010	
DRAWN A. LIN	DATE 6/22/06	THREAD CAP
MATERIAL ALUMINUM 6061-T6		
FINISH MIL-C-5541 Class 3		
USED ON CRATER	SIZE B	DWG. NO. CTR06-THDCAP-MD-1
SCALE 1:1	DO NOT SCALE DRAWING	REV. A SHEET 1 OF 1