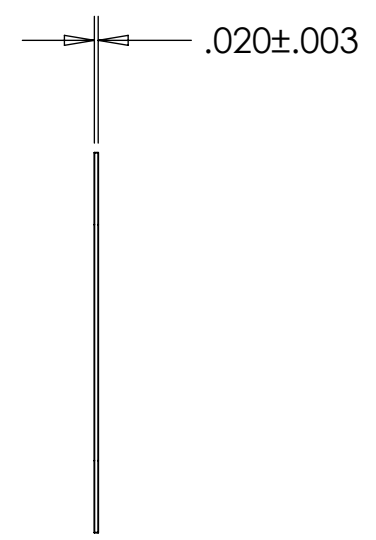
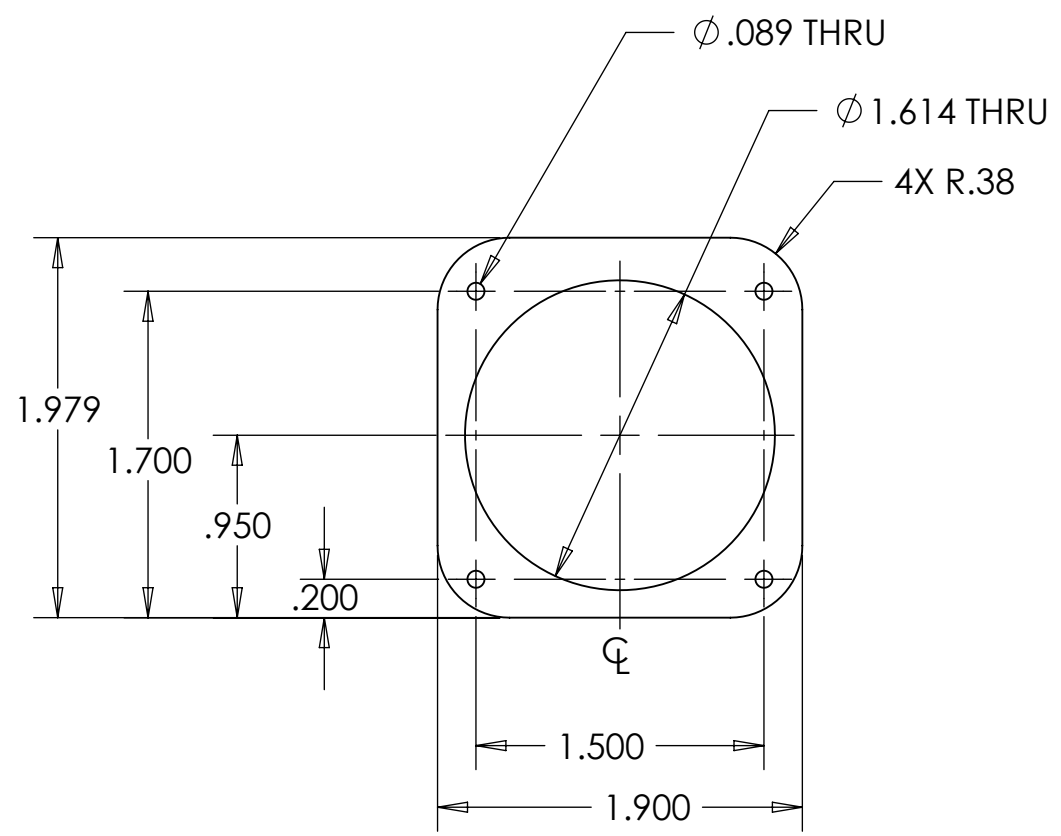



REVISIONS		
REV.	DESCRIPTION	DATE
A	ADDED STRAIN RELIEF AND EXTENDED ONE END	11/15/06
B	REMOVED STRAIN RELIEF	4/20/07



UNLESS OTHERWISE SPECIFIED DIMENSIONS ARE IN INCHES TOLERANCES ARE:		 THE AEROSPACE CORPORATION	
.XX ±.03	.XXX ±.010		ANGLES ±0°30'
DRAWN A. LIN	DATE 11/15/06	DETECTOR SHIM	
MATERIAL ALUMINUM 6061-T6			
FINISH MIL-C-5541 CLASS 3			
USED ON CRATER	SIZE B	DWG. NO. CTR06-DTRSHIM-MD-1	REV. B
SCALE 1:1	DO NOT SCALE DRAWING	SHEET 1 OF 1	