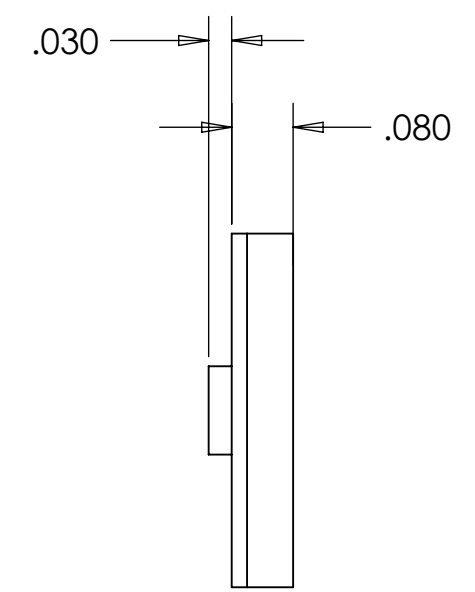
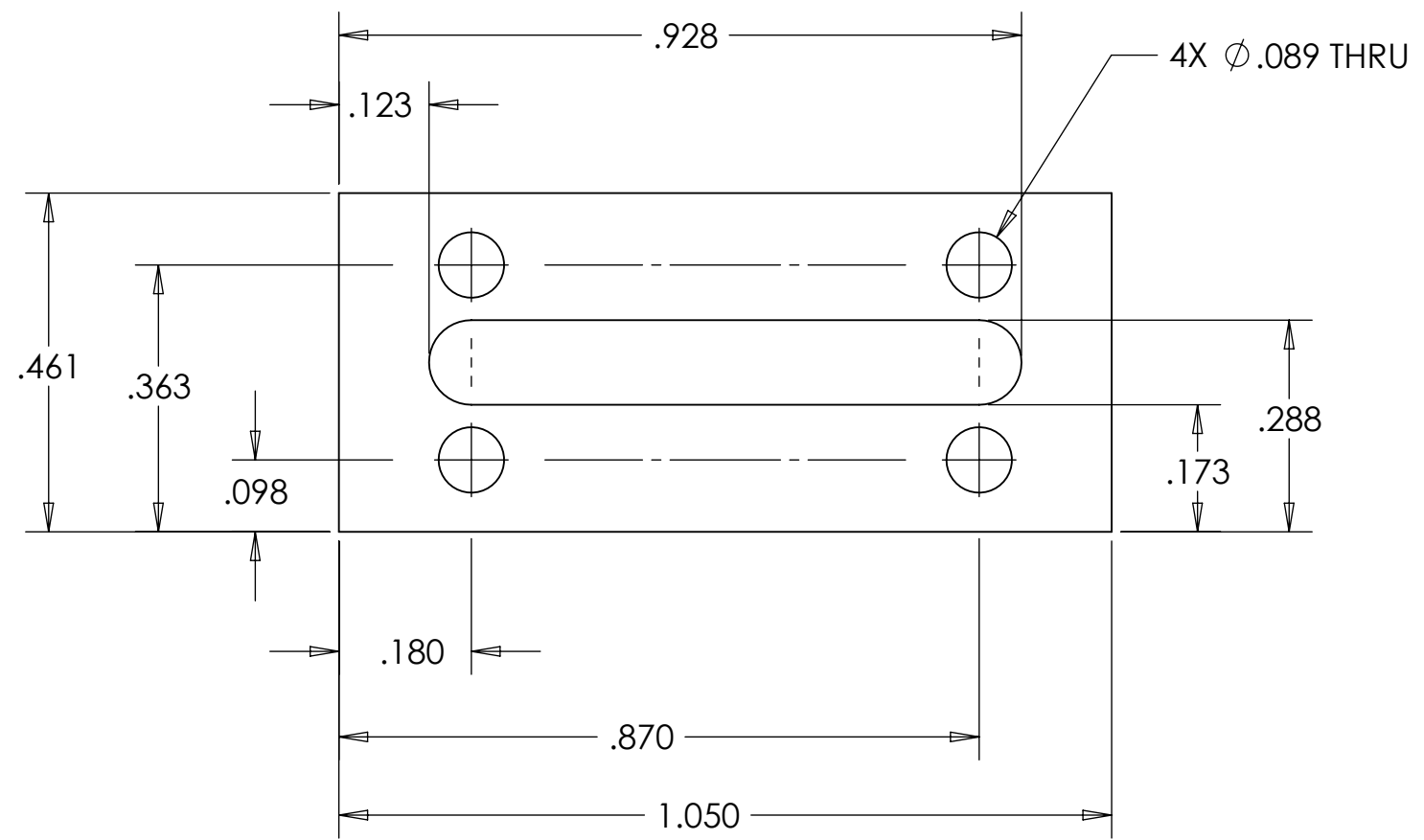
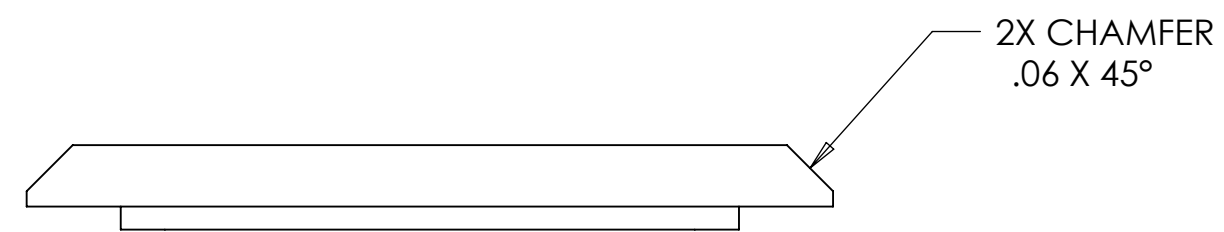


REVISIONS		
REV.	DESCRIPTION	DATE
A	ADDED LIGHT TRAP: .030 BOSS	2/5/07



UNLESS OTHERWISE SPECIFIED DIMENSIONS ARE IN INCHES TOLERANCES ARE:		THE AEROSPACE CORPORATION
.XX ±.03	.XXX ±.010	
DRAWN A. LIN	DATE 2/5/06	FRONT PURGE COVER
MATERIAL ALUMINUM 6061-T6		
FINISH MIL-C-5541 CLASS 2		SIZE B DWG. NO. CTR06-FPRGCVR-MD-1 REV. A
USED ON CRgTER		
SCALE 4:1	DO NOT SCALE DRAWING	SHEET 1 OF 1