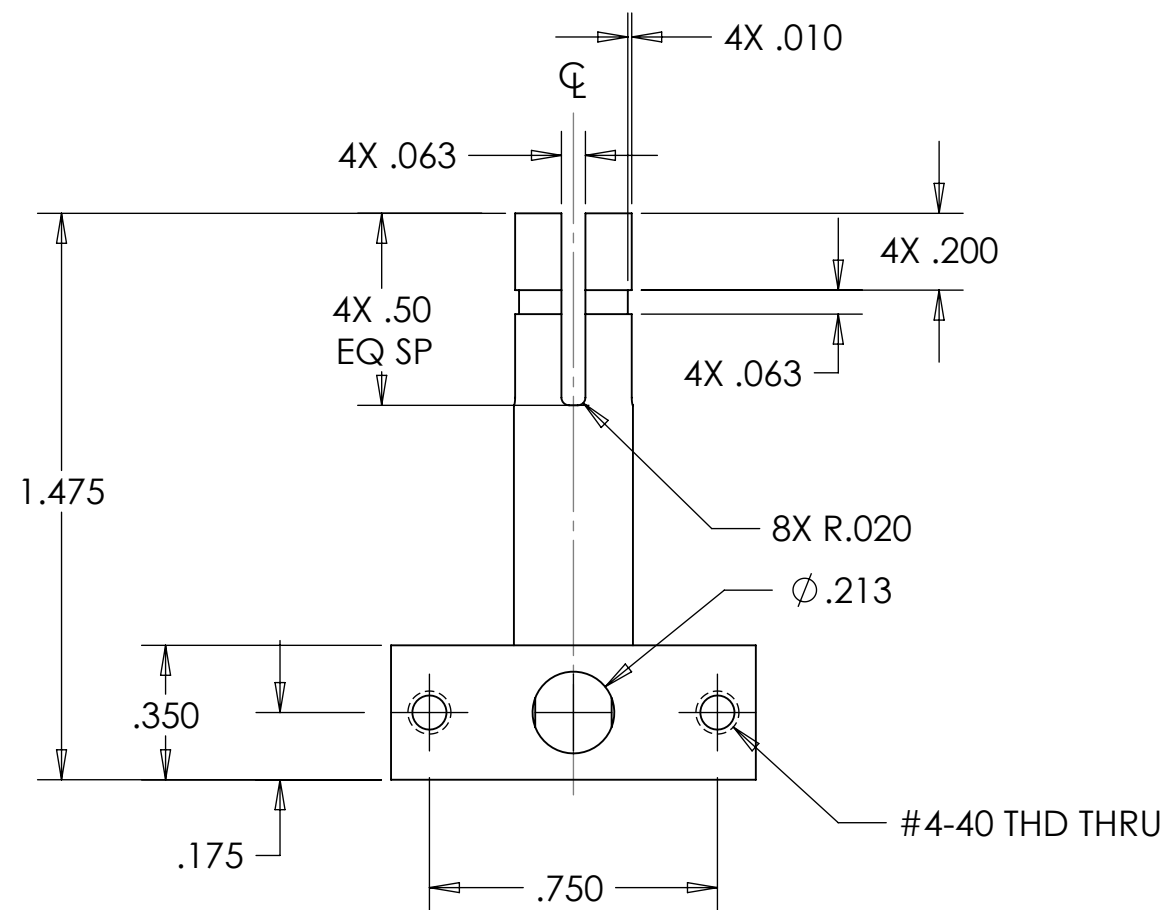
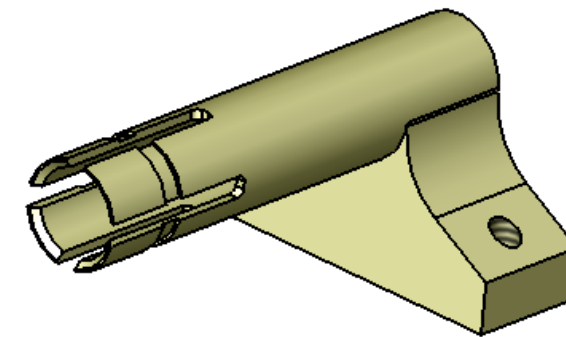


SECTION A-A



UNLESS OTHERWISE SPECIFIED DIMENSIONS ARE IN INCHES TOLERANCES ARE:			
.XX ±.03	.XXX ±.010	ANGLES ±0°30'	
DRAWN A. LIN	DATE 8/10/06	PURGE FITTING	
MATERIAL ALUMINUM 6061-T6			
FINISH MIL-C-5541 CLASS 3	SIZE B	DWG. NO. CTR06-PRGFTG-MD-1	REV.
USED ON CRgTER	SCALE 2:1	DO NOT SCALE DRAWING	SHEET 1 OF 1