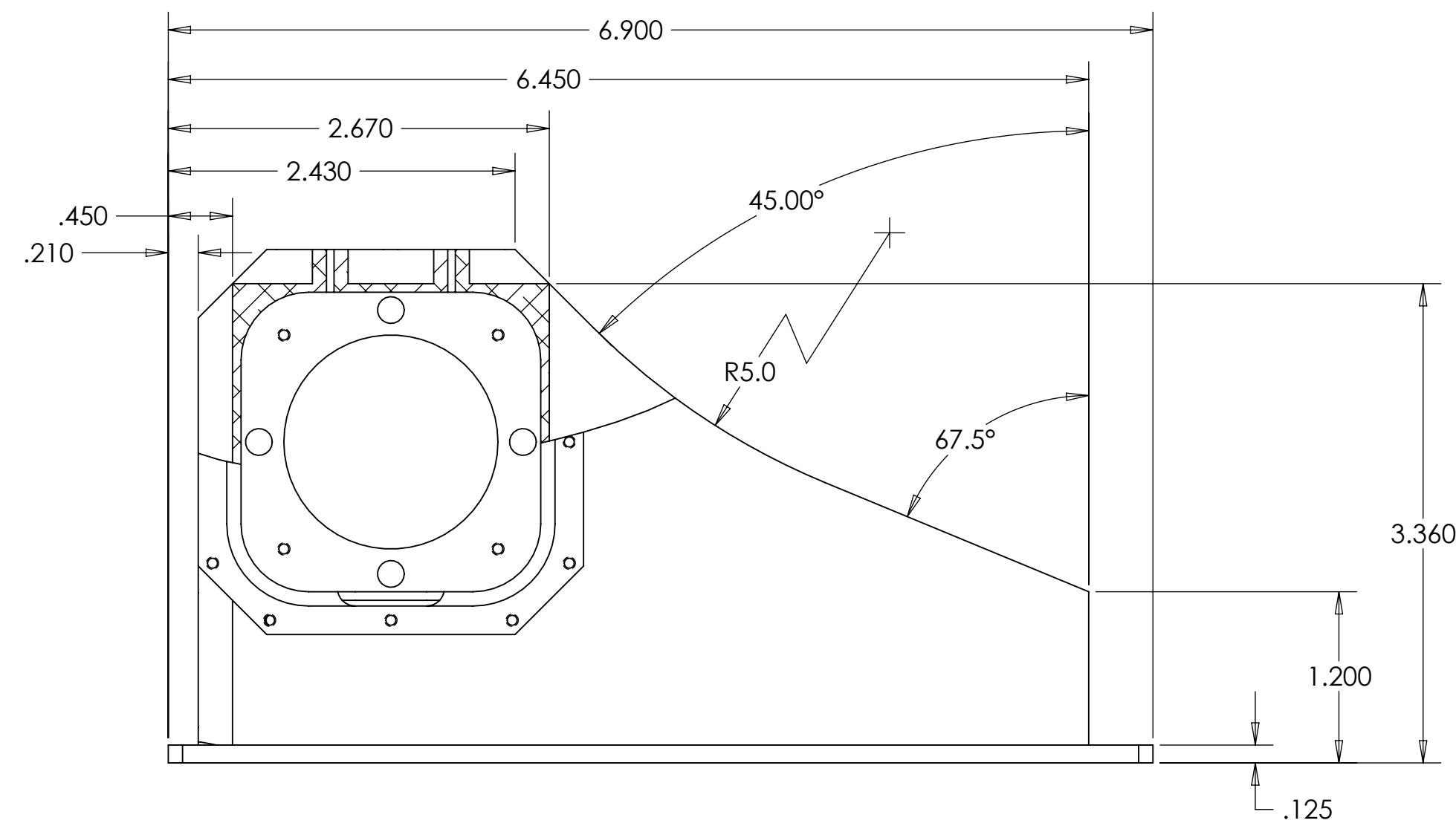
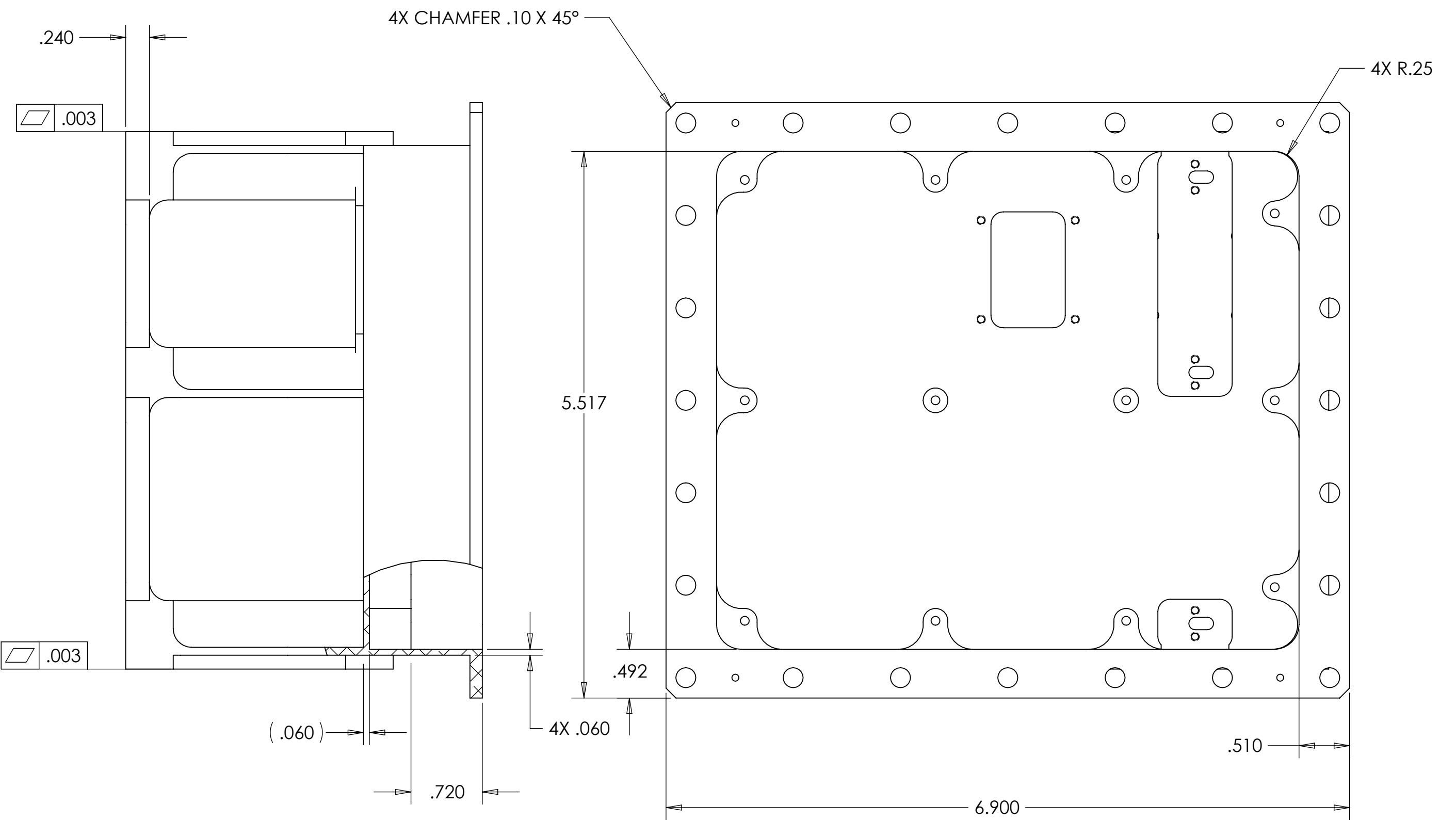
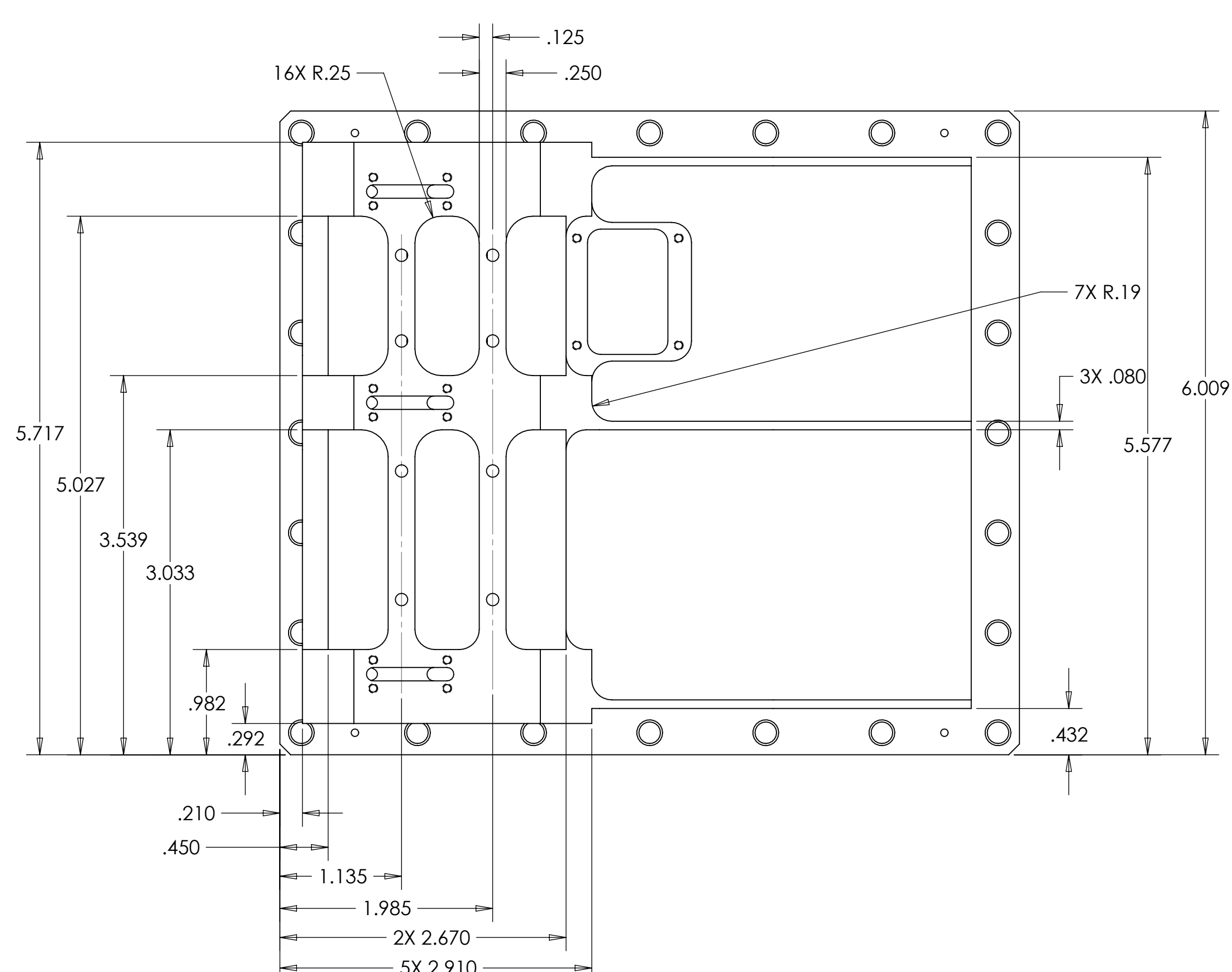
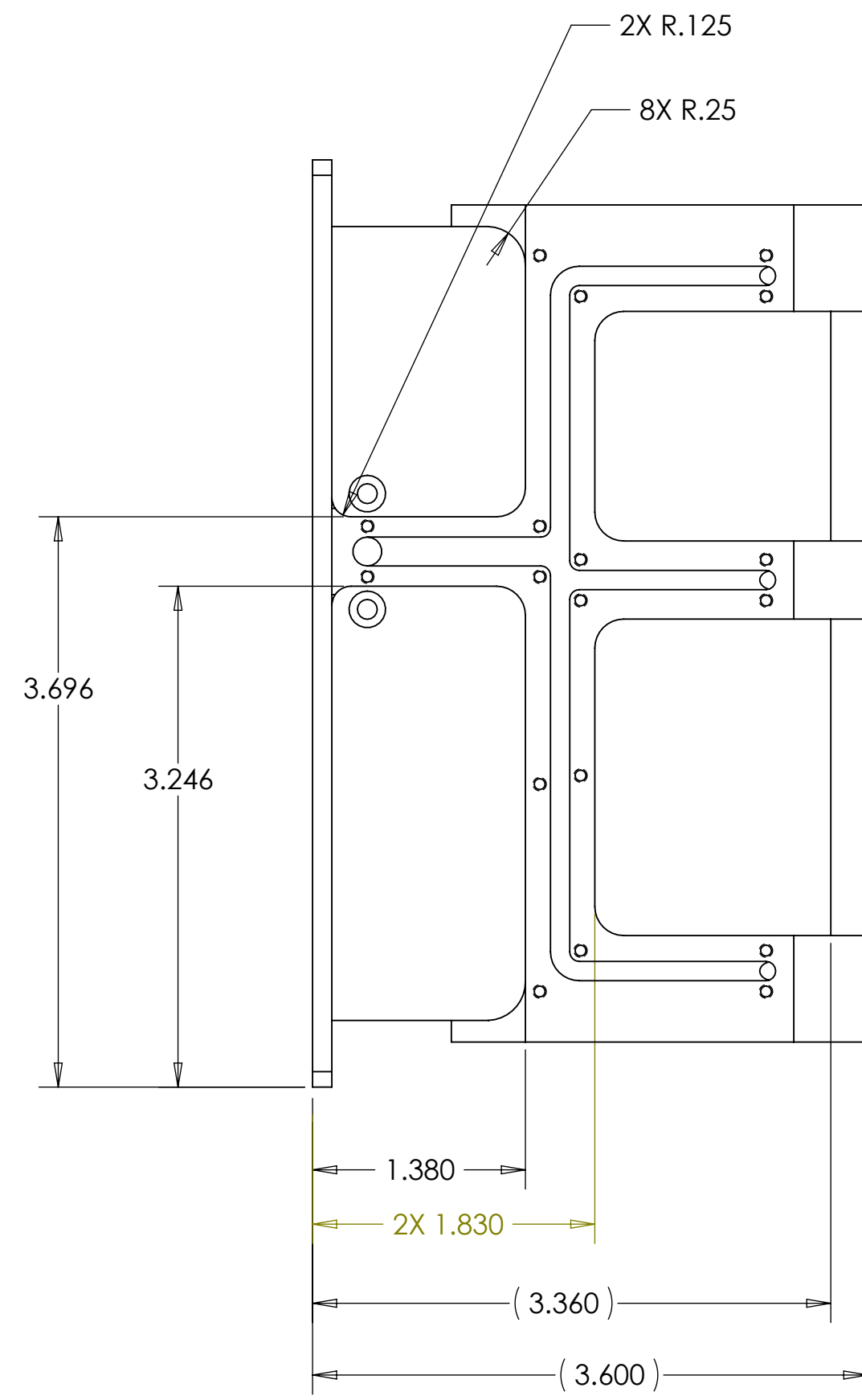
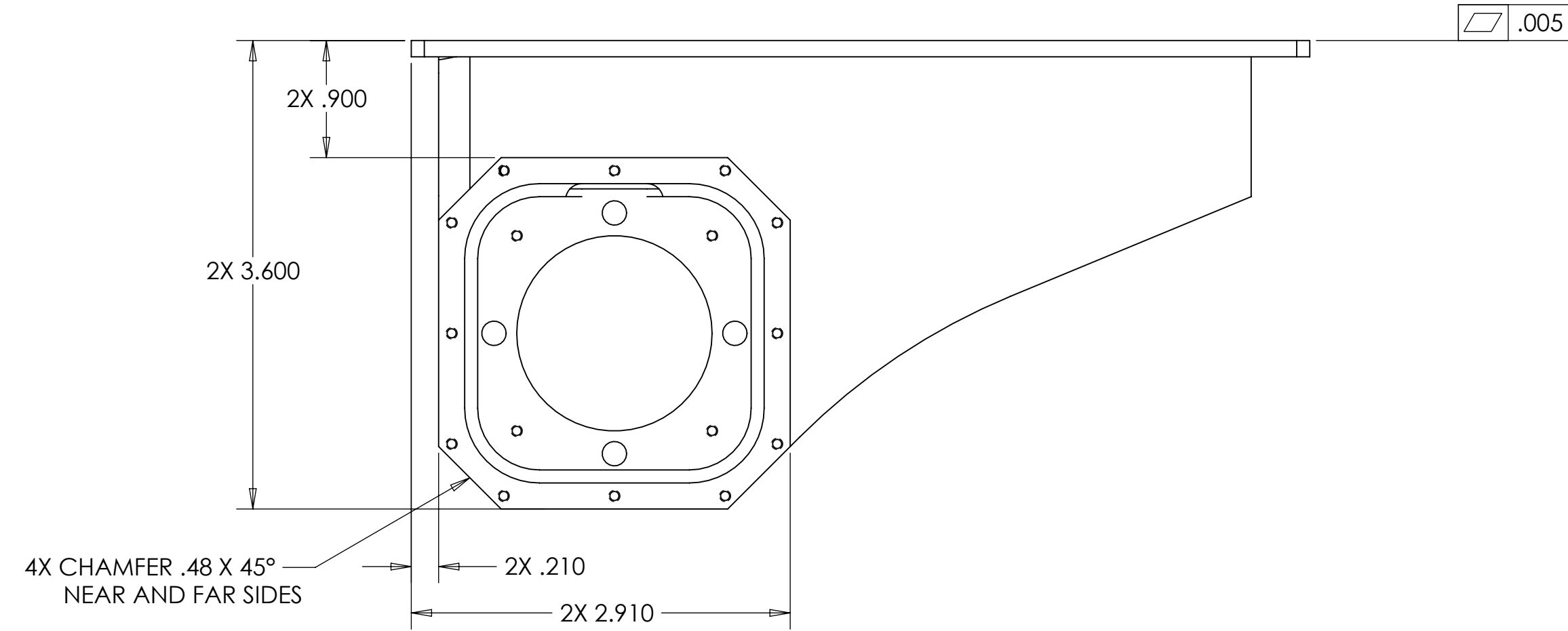


REVISIONS			
REV.	ZONE	DESCRIPTION	DATE
A	p2 D1	ADDED ACCESS HOLE	8/15/06
	p2 A7	ADDED CUTOUT	
	p2 C&E5	ADDED CHAMFER	
B	p4 D2	ADDED SLOT	11/15/06



UNLESS OTHERWISE SPECIFIED DIMENSIONS ARE IN INCHES

TOLERANCES ARE:

XX	XXX	ANGLES
+ .015	+ .010	+ .030°

DRAWN: A. LIN DATE: 8/15/06

MATERIAL: ALUMINUM 6061-T6

THE AEROSPACE CORPORATION

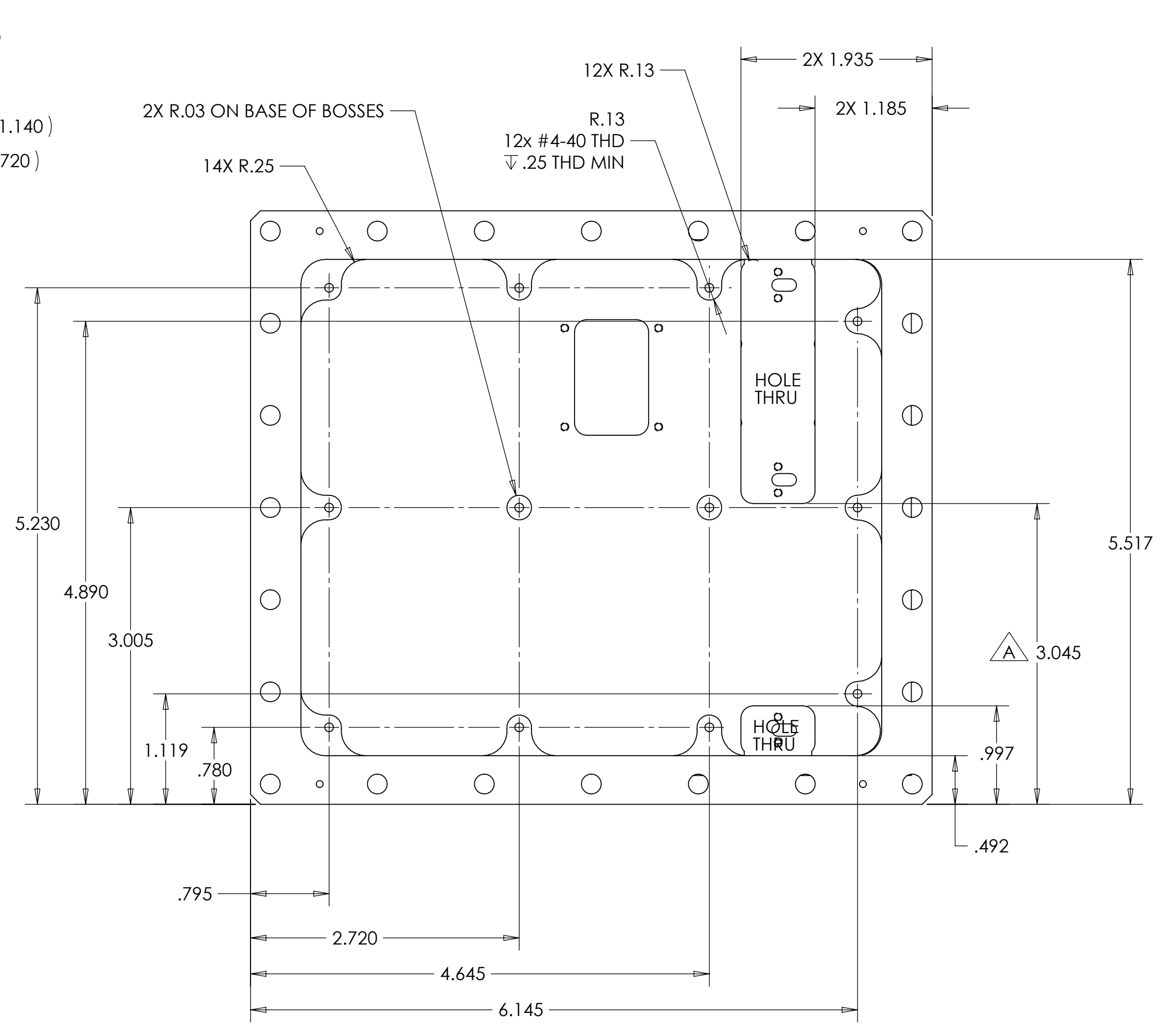
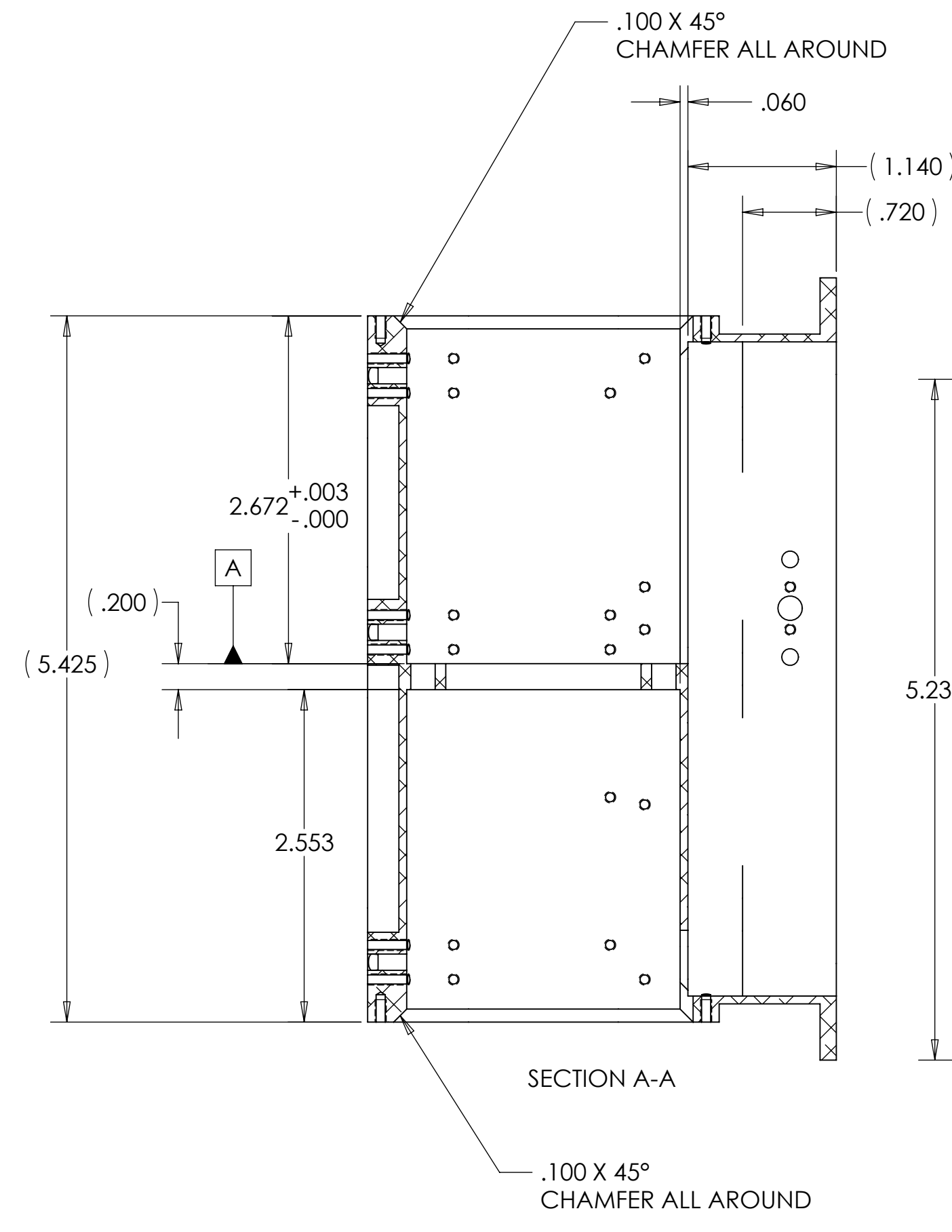
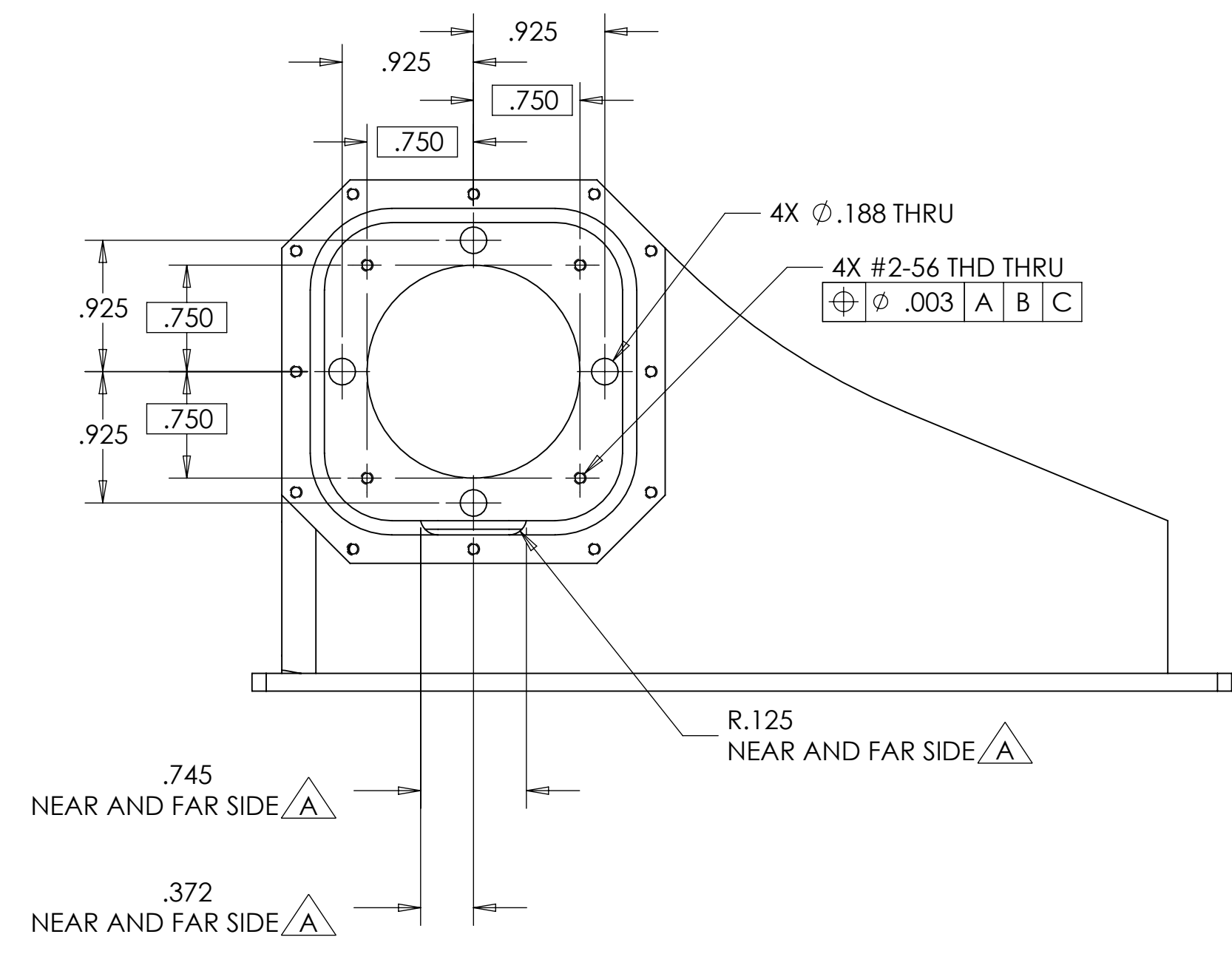
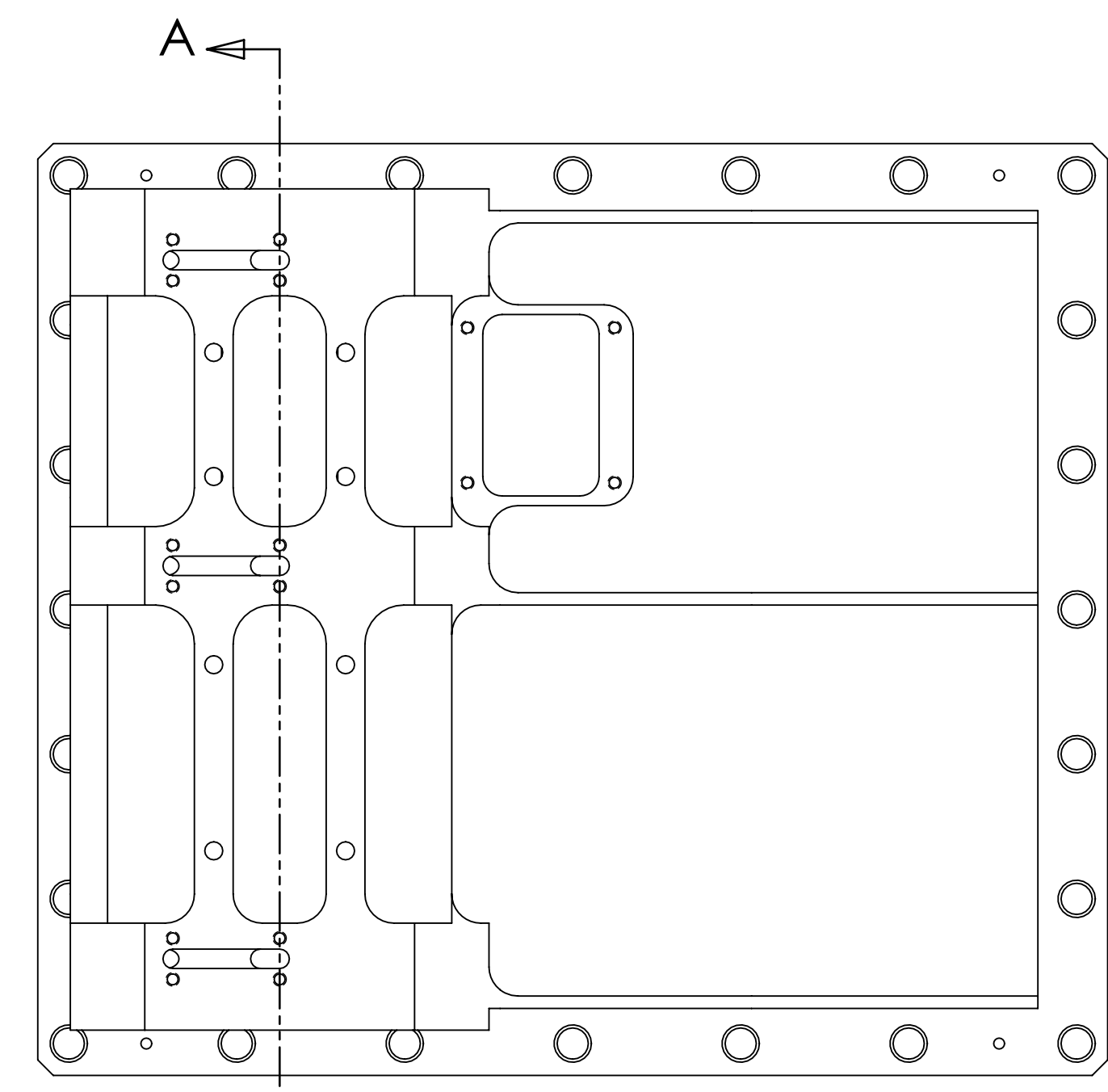
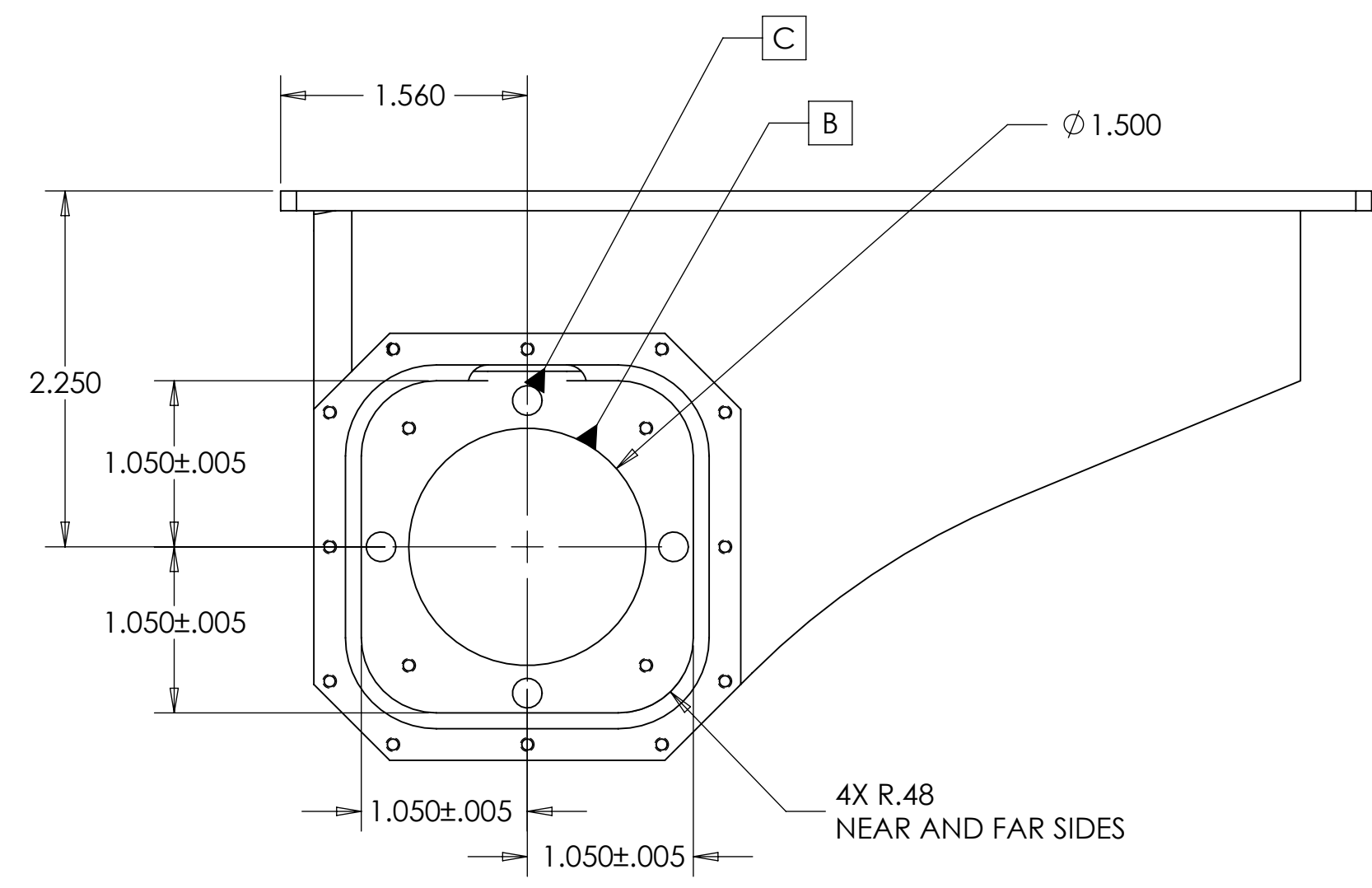
TELESCOPE HOUSING

FROM: MIL-C-5541 CLASS 3

SCALE: 1:1

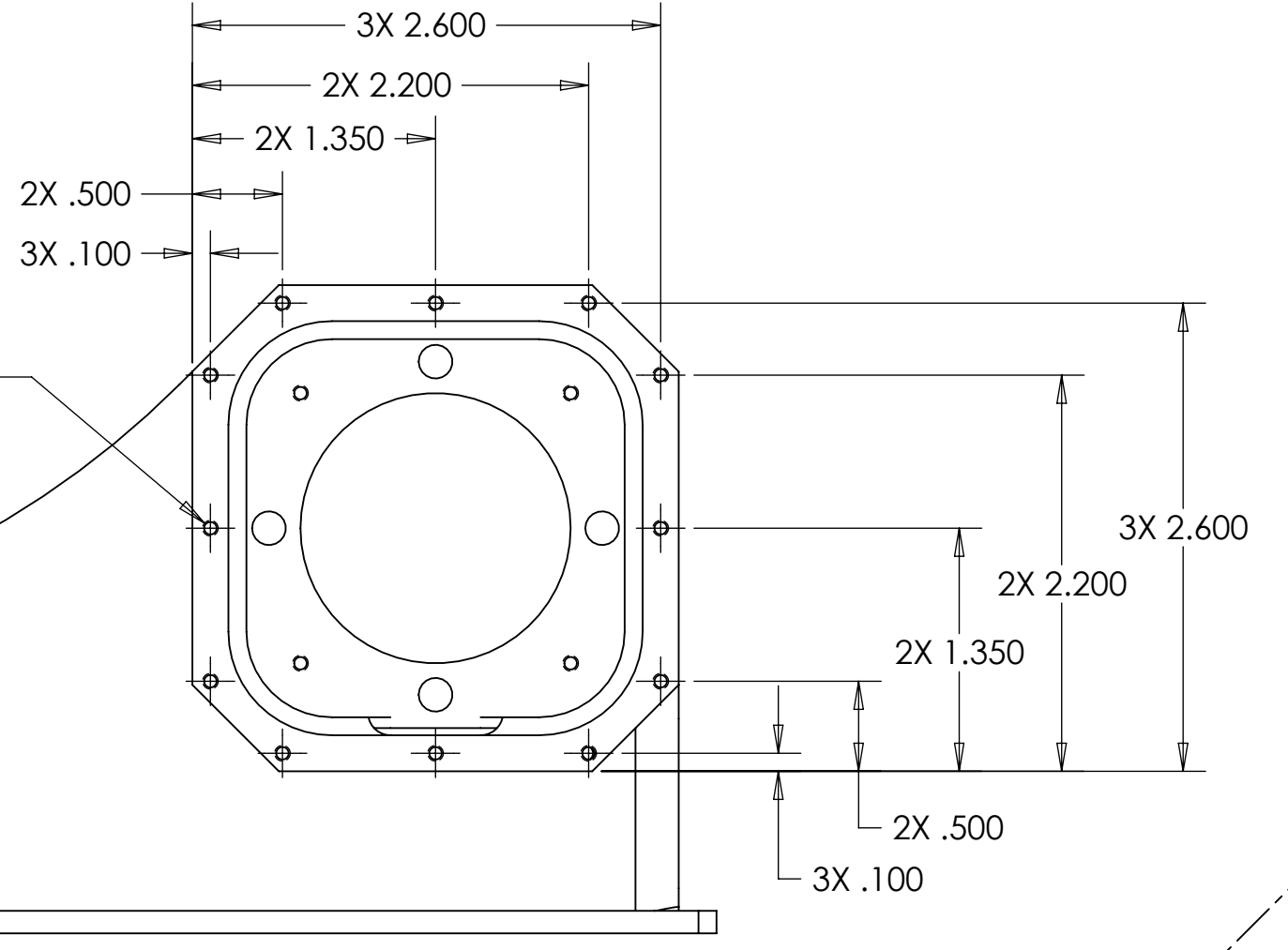
DO NOT SCALE DRAWING

SHEET 1 OF 4



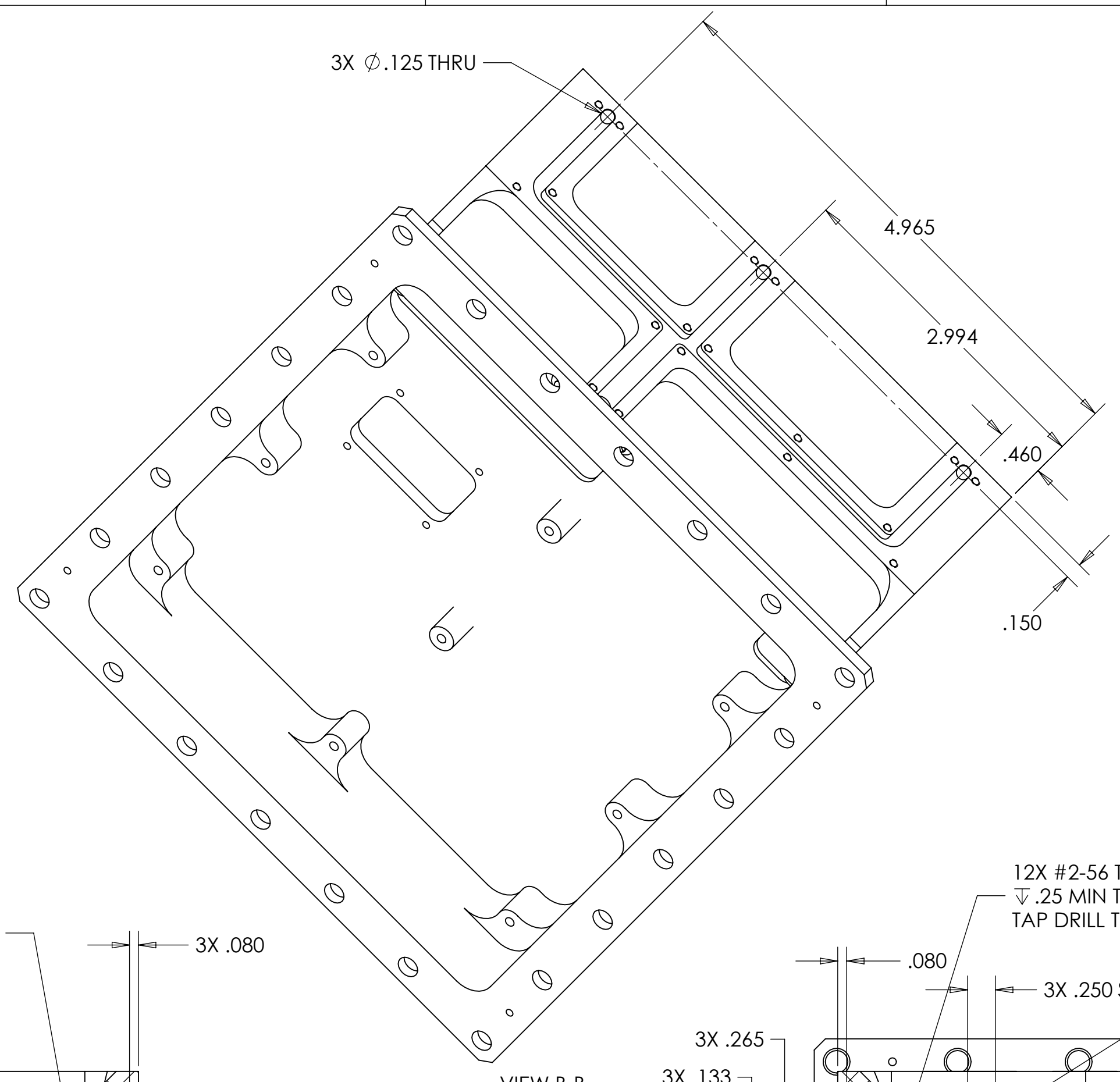
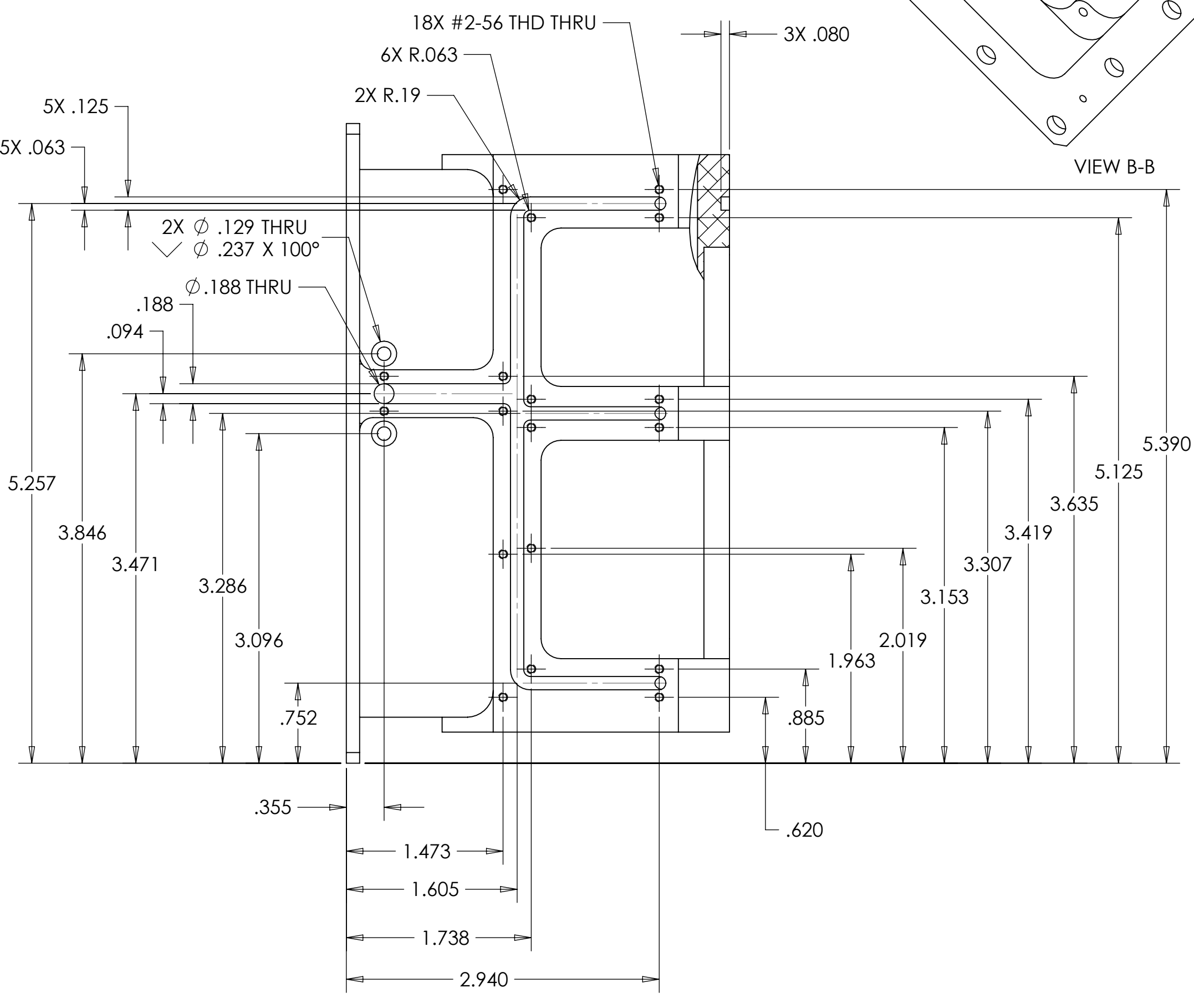
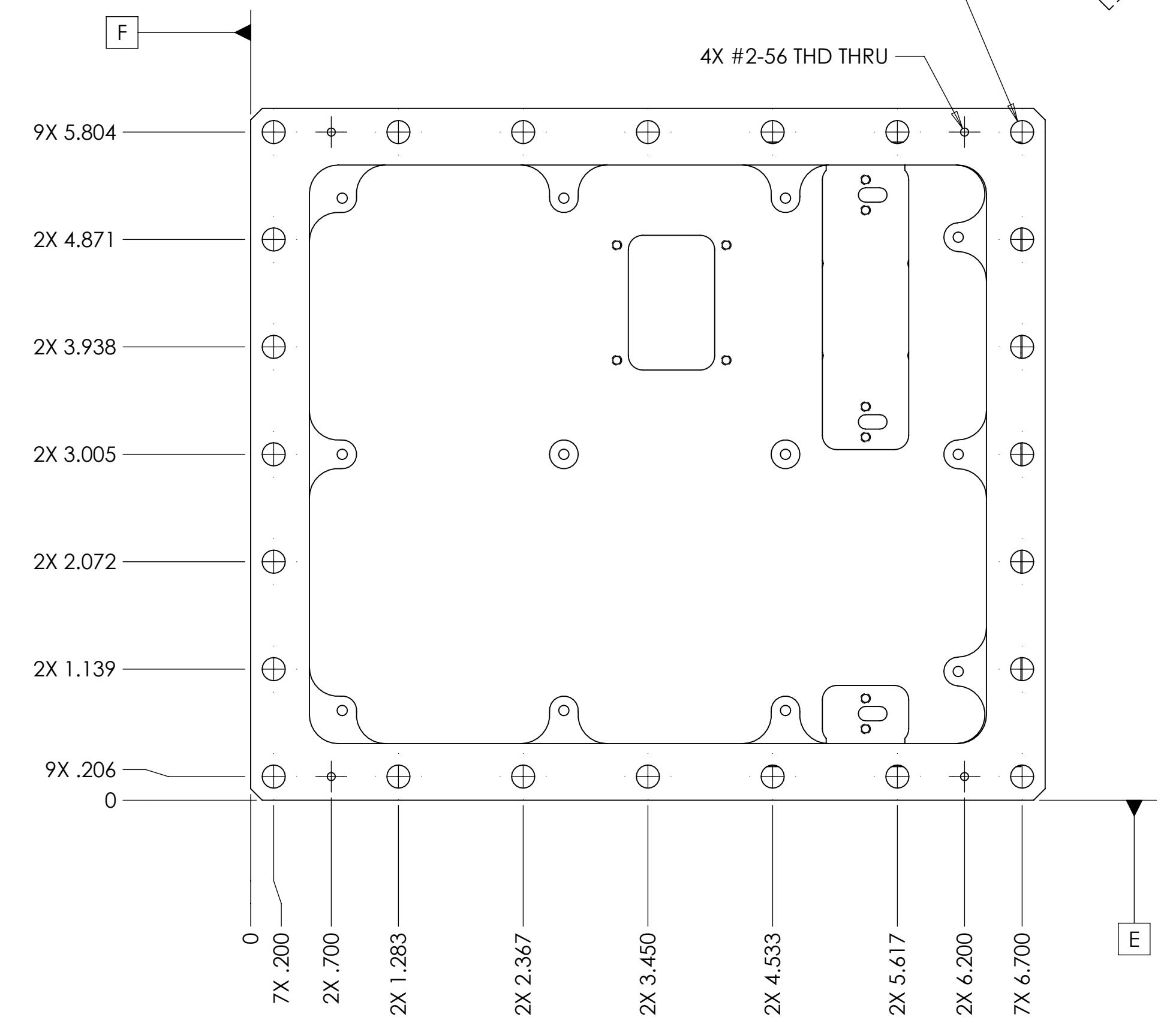
UNLESS OTHERWISE SPECIFIED DIMENSIONS ARE IN INCHES		THE AEROSPACE CORPORATION	
TOLERANCES ARE:		TELESCOPE HOUSING	
XX	XXX	ANGLES	
±.01	±.010	±.05°	
A. LIN	DATE	8/15/06	
MATERIAL		ALUMINUM 6061-T6	
SPEC		MIL-C-5541 CLASS 3	
REV		D	
DRAWN		CTR06-TLSCPHSG-MD-1	
SCALE		1:1	
CROTER		DO NOT SCALE DRAWING	
		SHEET 2 OF 4	

9X #2-56 THD
 ▽.3 DRILL MAX
 ▽.25 THD MIN
 NEAR AND FAR SIDE

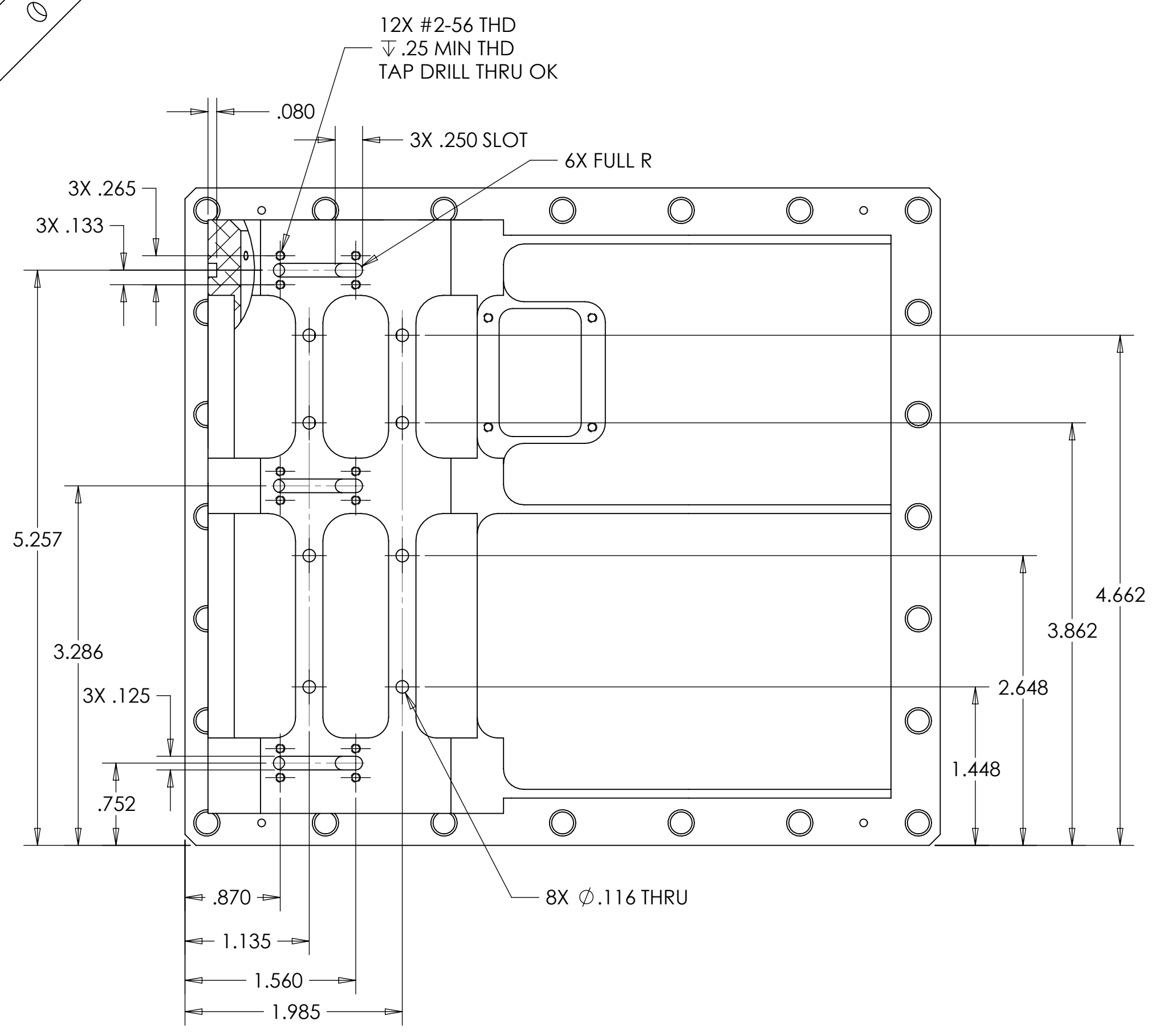


24X $\phi .201^{+.002}_{-.000}$ THRU
 CHAMFER .020 FAR SIDE
 ⊕.003 (M) D | E | F

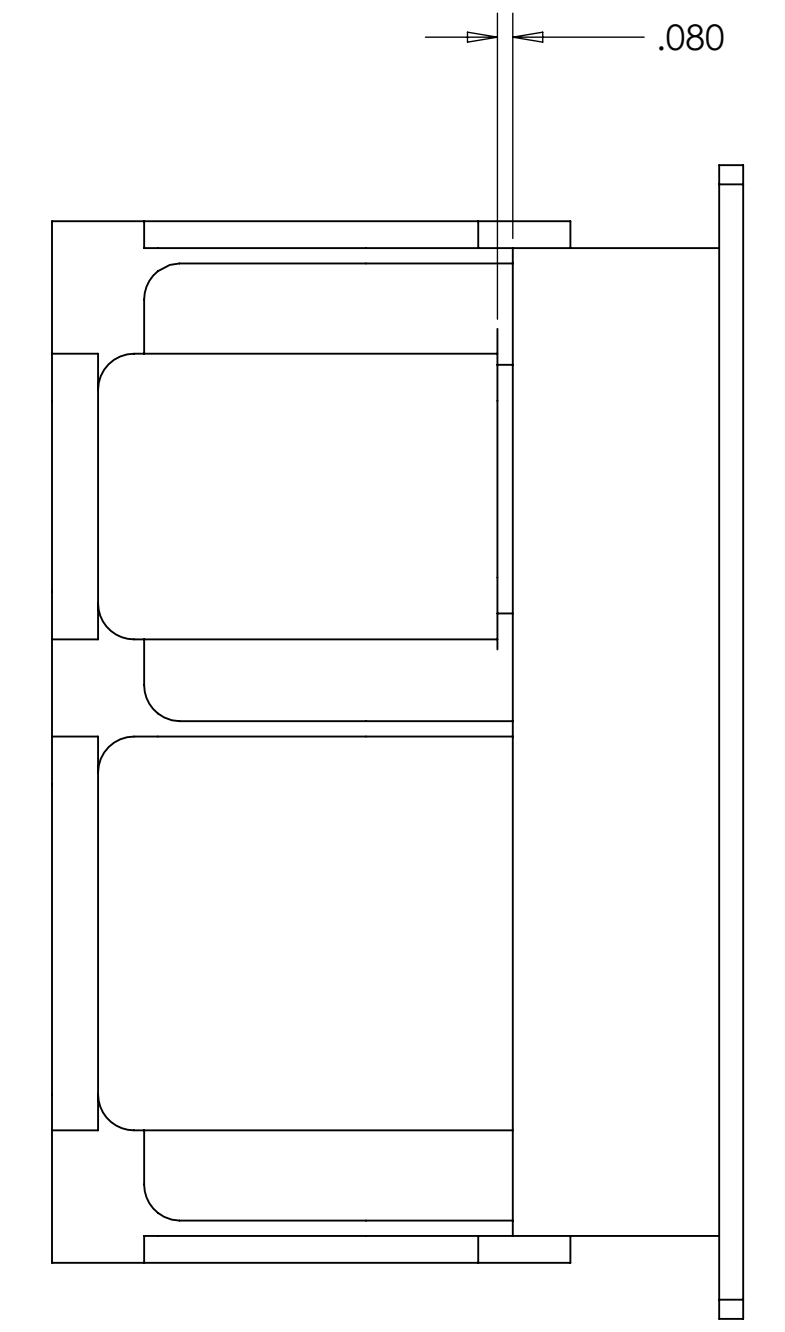
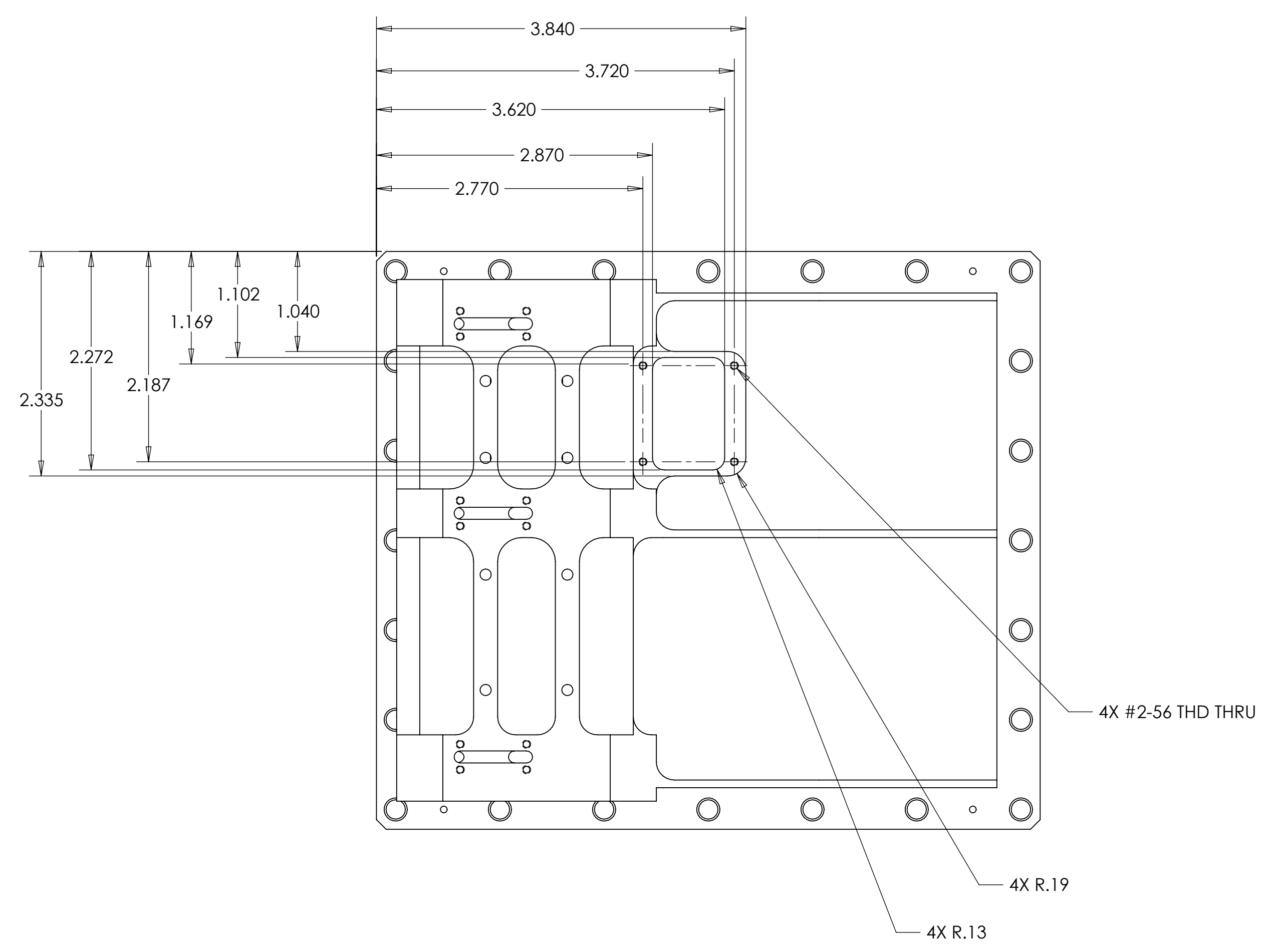
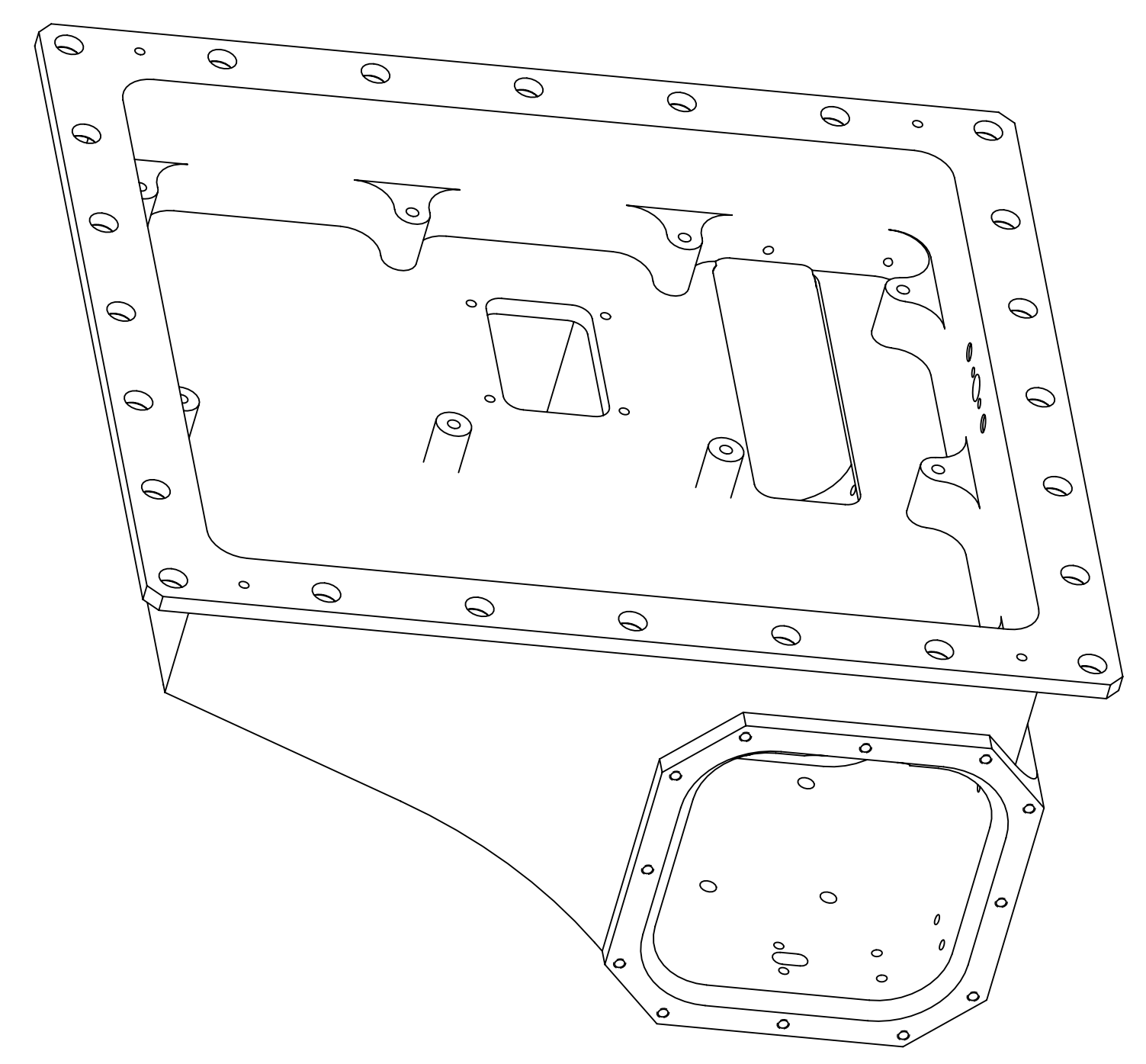
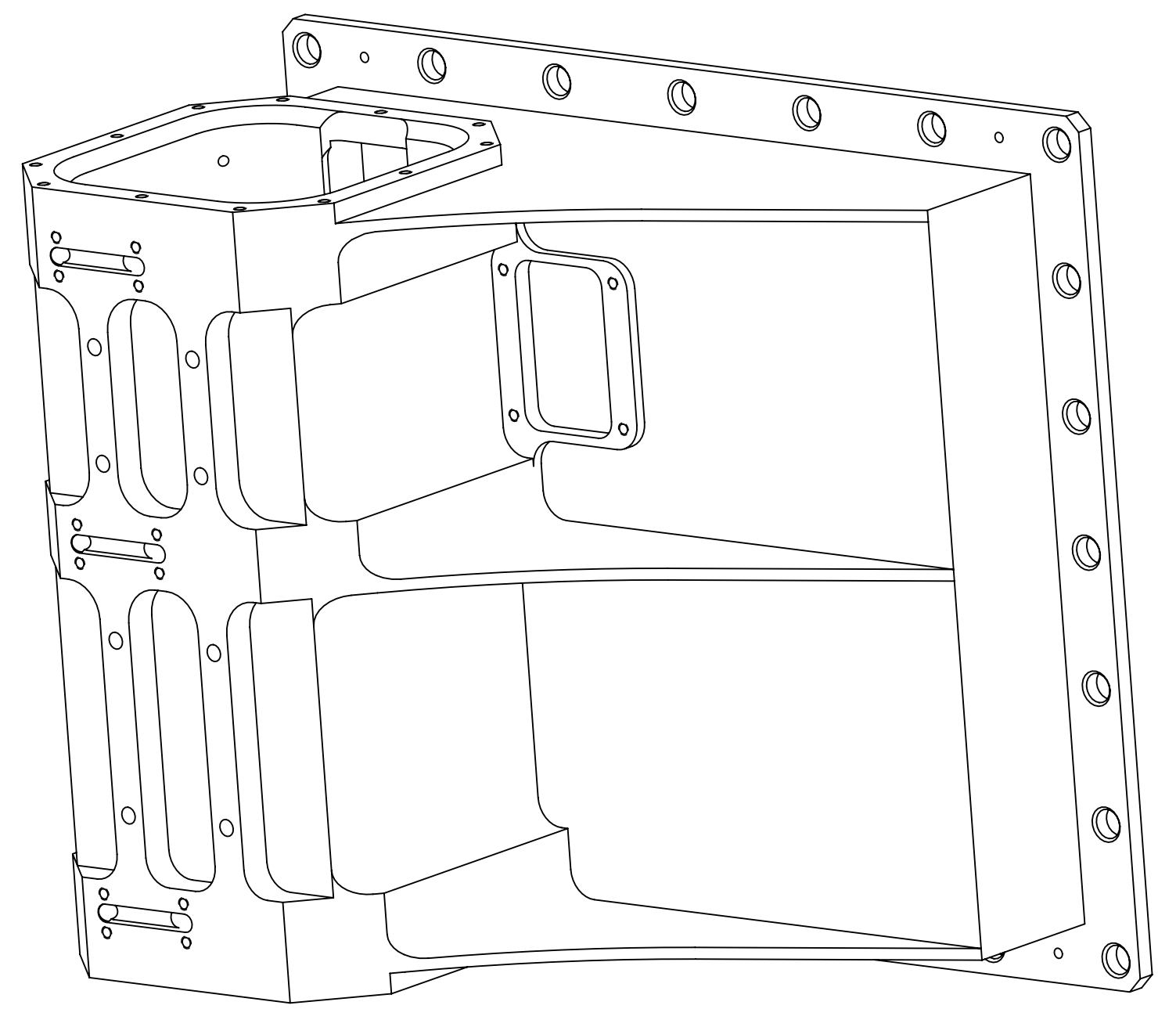
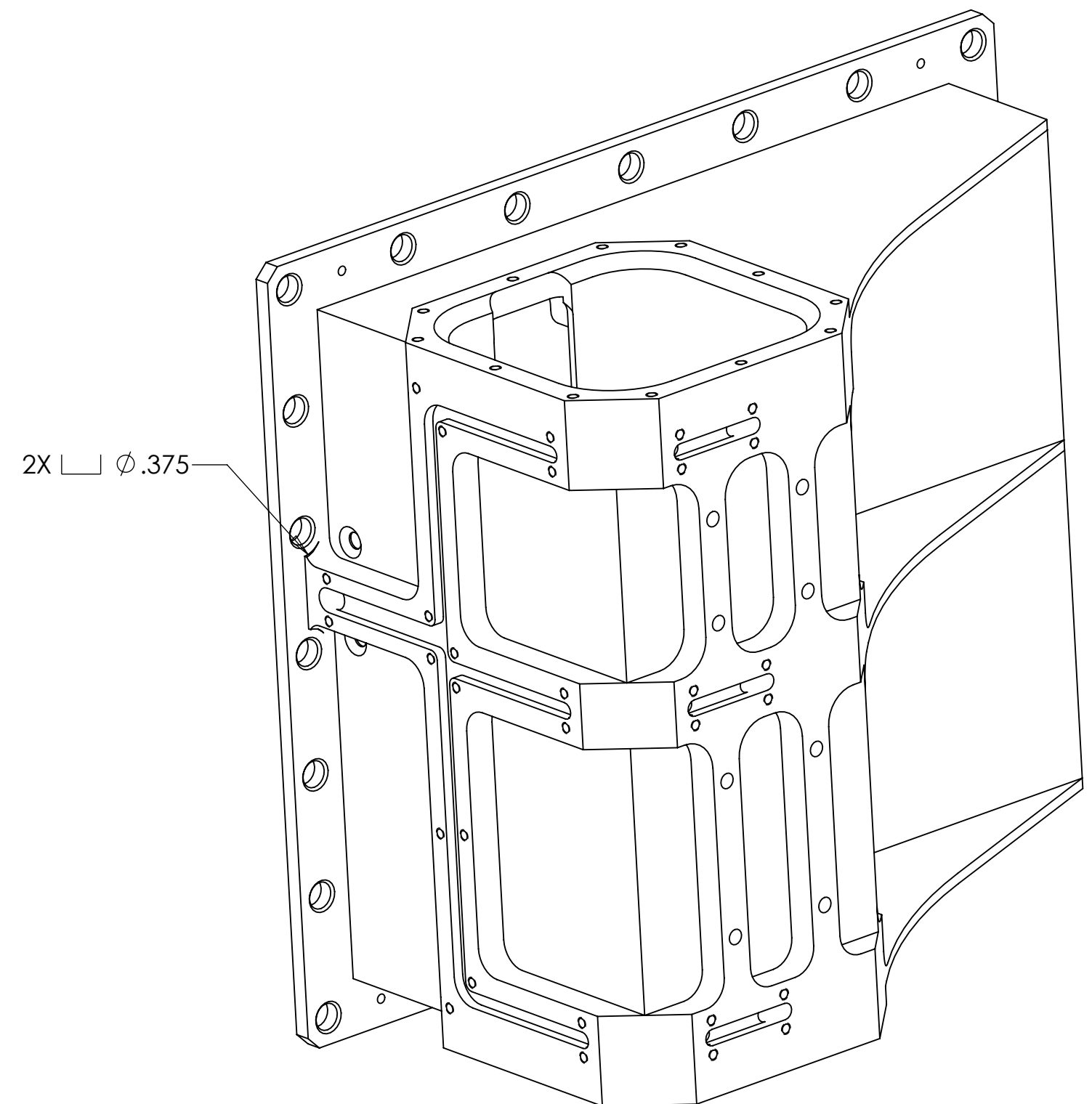
4X #2-56 THD THRU



VIEW B-B



UNLESS OTHERWISE SPECIFIED DIMENSIONS ARE IN INCHES		THE AEROSPACE CORPORATION
TOLERANCES ARE: XX .XXX ANGLES + .010 - .010		
DRAWN	DATE	TELESCOPE HOUSING
A. LIN	8/15/06	
MATERIAL		
ALUMINUM 6061-T6		
MIL-C-5541 CLASS 3		
CRATER	SCALE 1:1	DO NOT SCALE DRAWING SHEET 3 OF 4



UNLESS OTHERWISE SPECIFIED DIMENSIONS ARE IN INCHES		THE AEROSPACE CORPORATION	
TOLERANCES ARE:		REV. 1	
XX	XXX	ANGLES	
+ .015	+ .010	+ .005	
DRAWN	DATE	REV. 2	
A. LIN	8/15/06	D CTR06-TLSCPHSG-MD-1 B	
MATERIAL		SCALE 1:1	
ALUMINUM 6061-T6		DO NOT SCALE DRAWING SHEET 4 OF 4	
SPEC. MIL-C-5541 CLASS 3		CRATER	