

CRaTER Verification Procedure/Report

Title: (8.5.8) Nadir field of view

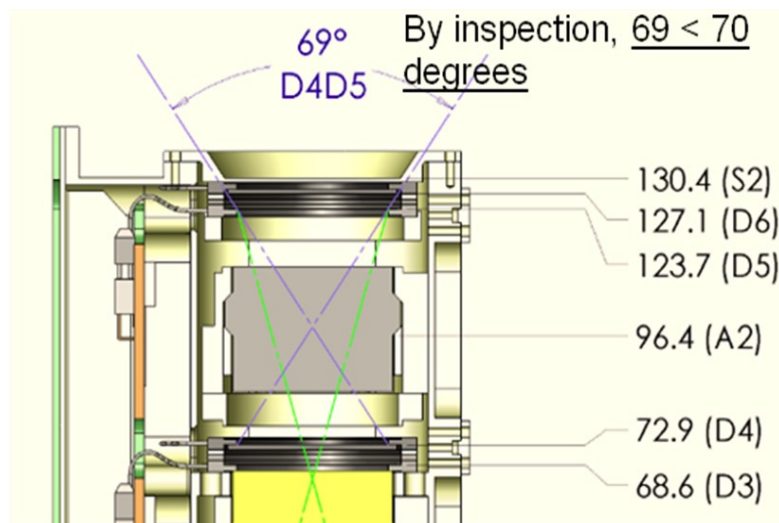
Document 32-06020.38

Reference: 32-01205 Instrument Requirements Document Section 8.5.7

Requirement: The nadir field of view, defined as D4D5 coincident events incident from the lunar surface, shall be less than 70 degrees full width.

Procedure: The nadir field of view will be determined by reviewing mechanical drawings of the telescope.

Results:



S/N: 01 & 02

Passed/Failed: Passed

Comments:

Performed by: JCKasper

R&QA: _____

Date: 1 November 2007

Date: _____