

# CRaTER Verification Procedure/Report

Title: (8.5.7) Zenith field of view

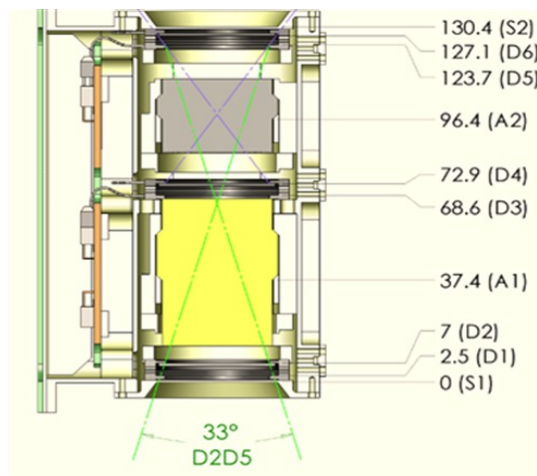
Document 32-06020.37

Reference: 32-01205 Instrument Requirements Document Section 8.5.7

Requirement: The zenith field of view, defined as D2D5 coincident events incident from deep space using the naming convention in CRaTER-L3-04, shall be less than 34 degrees full width.

Procedure: The zenith field of view will be determined by reviewing mechanical drawings of the telescope.

Results:



By inspection 33 < 34 degrees

S/N: 01 & 02

Passed/Failed: Passed

Comments:

Performed by: JCKasper

R&QA: \_\_\_\_\_

Date: 1 November 2007

Date: \_\_\_\_\_