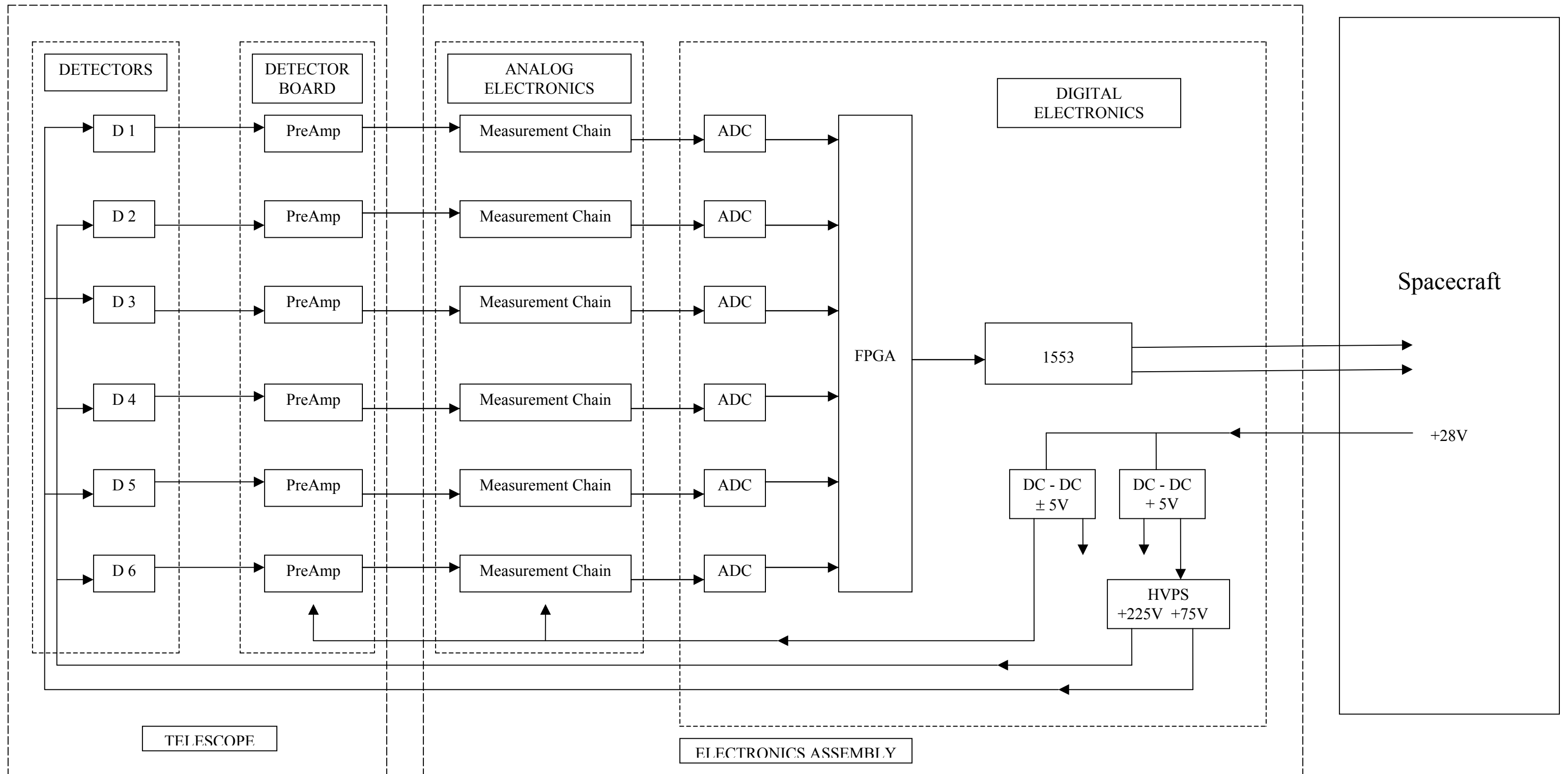


CRaTER



Reliability Block Diagram

32-04003.01, Rev. A