

4 3 2 1

D C B A

REV		DESCRIPTION	DATE	APPROVED

D C B A

4 3 2 1

D C B A

D C B A

D C B A

D C B A

D C B A

D C B A

D C B A

D C B A

D C B A

D C B A

D C B A

D C B A

D C B A

D C B A

D C B A

D C B A

D C B A

D C B A

D C B A

D C B A

D C B A

D C B A

D C B A

D C B A

D C B A

D C B A

D C B A

D C B A

D C B A

D C B A

D C B A

D C B A

D C B A


D C B A

D C B A

D C B A

D C B A

D C B A


**THE AEROSPACE CORPORATION**  
 EL SEGUNDO, CALIFORNIA

**CRATER TELESCOPE BOARD**  
**Thin Detector #1 Preamp**

DRAWN: W.R. Crain  
 CHECKED: \_\_\_\_\_  
 APPROVED: \_\_\_\_\_  
 APPROVED: \_\_\_\_\_

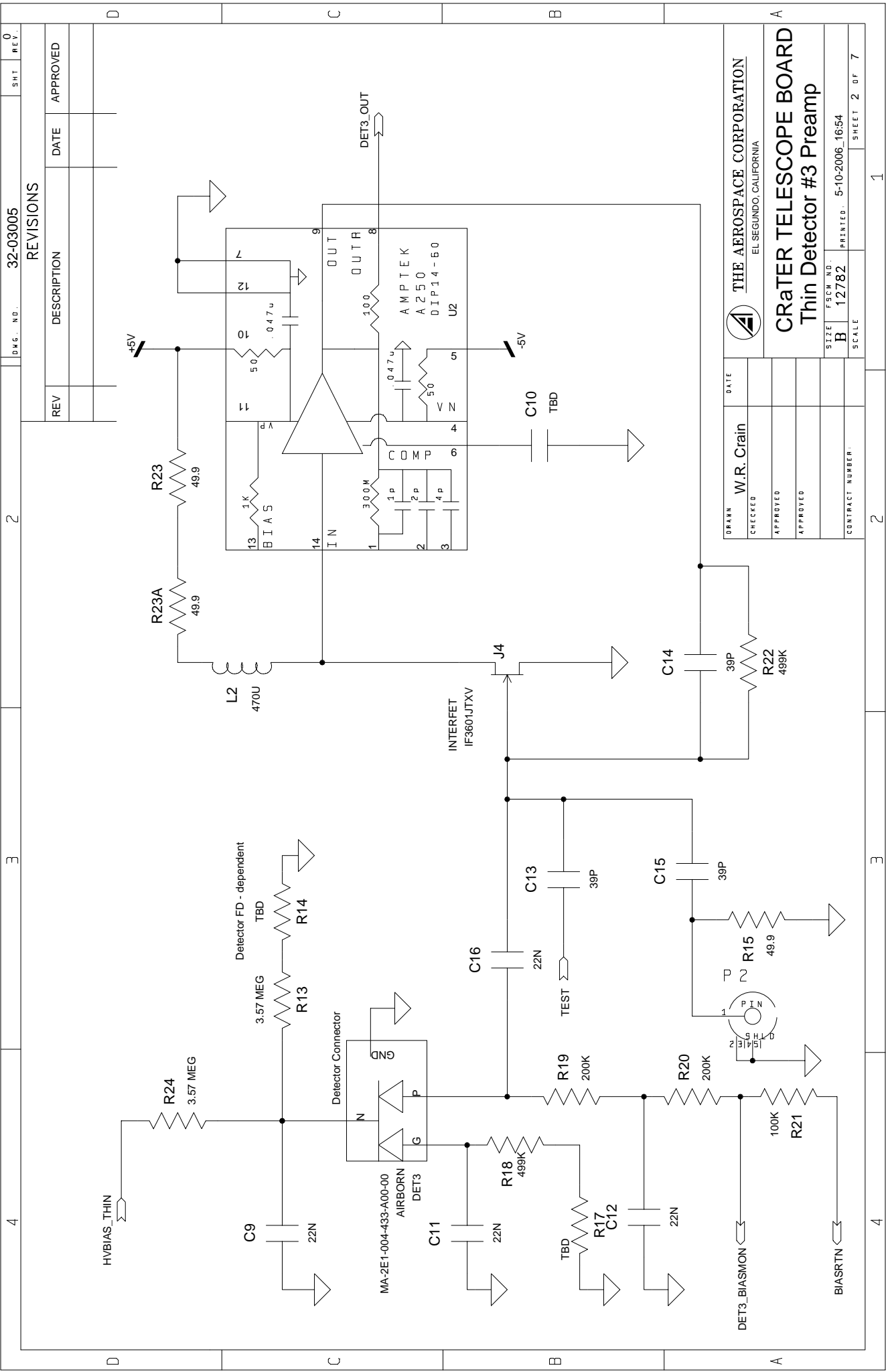
DATE: \_\_\_\_\_  
 CONTRACT NUMBER: \_\_\_\_\_  
 SCALE: \_\_\_\_\_

SIZE: B  
 FSCW NO: 12782  
 PRINTED: 5-10-2006 16:54

SHEET 1 OF 7

4 3 2 1

D C B A



4 3 2 1

D C B A

REV	DESCRIPTION	DATE	APPROVED

DRWS. NO. 32-03005

REVISIONS

SHT 0 REF.

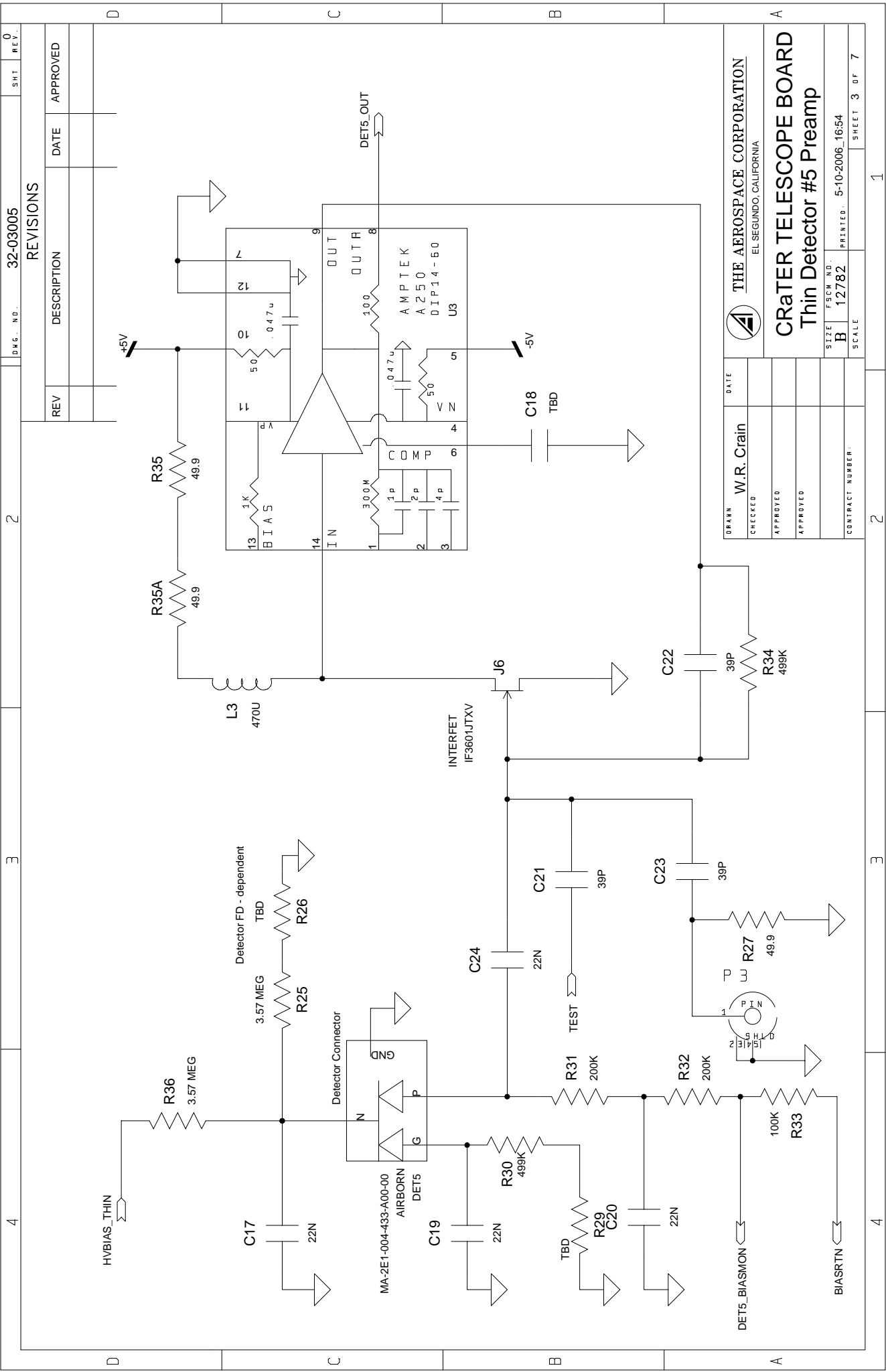
DATE	
DRAWN	W.R. Crain
CHECKED	
APPROVED	
APPROVED	
CONTRACT NUMBER	
SIZE	FSCW NO. B
SCALE	12782
PRINTED	5-10-2006 16:54
SHEET	2 OF 7

THE AEROSPACE CORPORATION  
EL SEGUNDO, CALIFORNIA

### CRATER TELESCOPE BOARD

#### Thin Detector #3 Preamp

1



4 3 2 1

D C B A

REV	DESCRIPTION	DATE	APPROVED

32-03005 REVISIONS

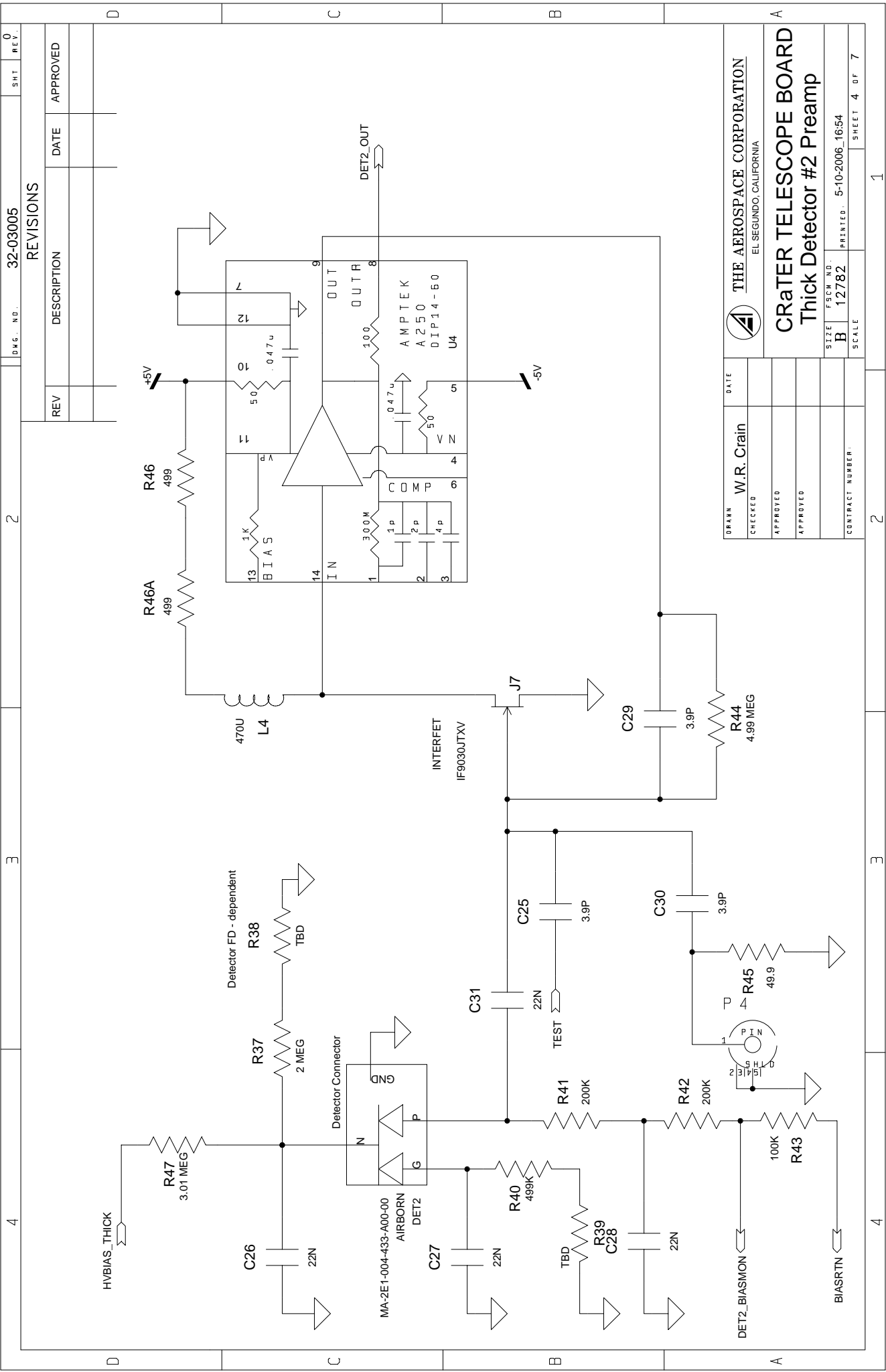
DRWN	DATE
W.R. Crain	
CHECKED	
APPROVED	
APPROVED	

THE AEROSPACE CORPORATION  
EL SEGUNDO, CALIFORNIA

CRaTER TELESCOPE BOARD  
Thin Detector #5 Preamp

SIZE	FSCW NO	PRINTED	5-10-2006_16:54
B	12782	SCALE	1

CONTRACT NUMBER... SHEET 3 OF 7



4 3 2 1

D C B A

REV		DESCRIPTION	DATE	APPROVED

DWG. NO. 32-03005

SHT 0

REF.

REVISIONS

THE AEROSPACE CORPORATION  
EL SEGUNDO, CALIFORNIA

CRATER TELESCOPE BOARD  
Thick Detector #2 Preamp

DATE

DRWN W.R. Crain

CHECKED

APPROVED

APPROVED

CONTRACT NUMBER

SIZE B

FSCW NO 12782

PRINTED 5-10-2006 16:54

SCALE

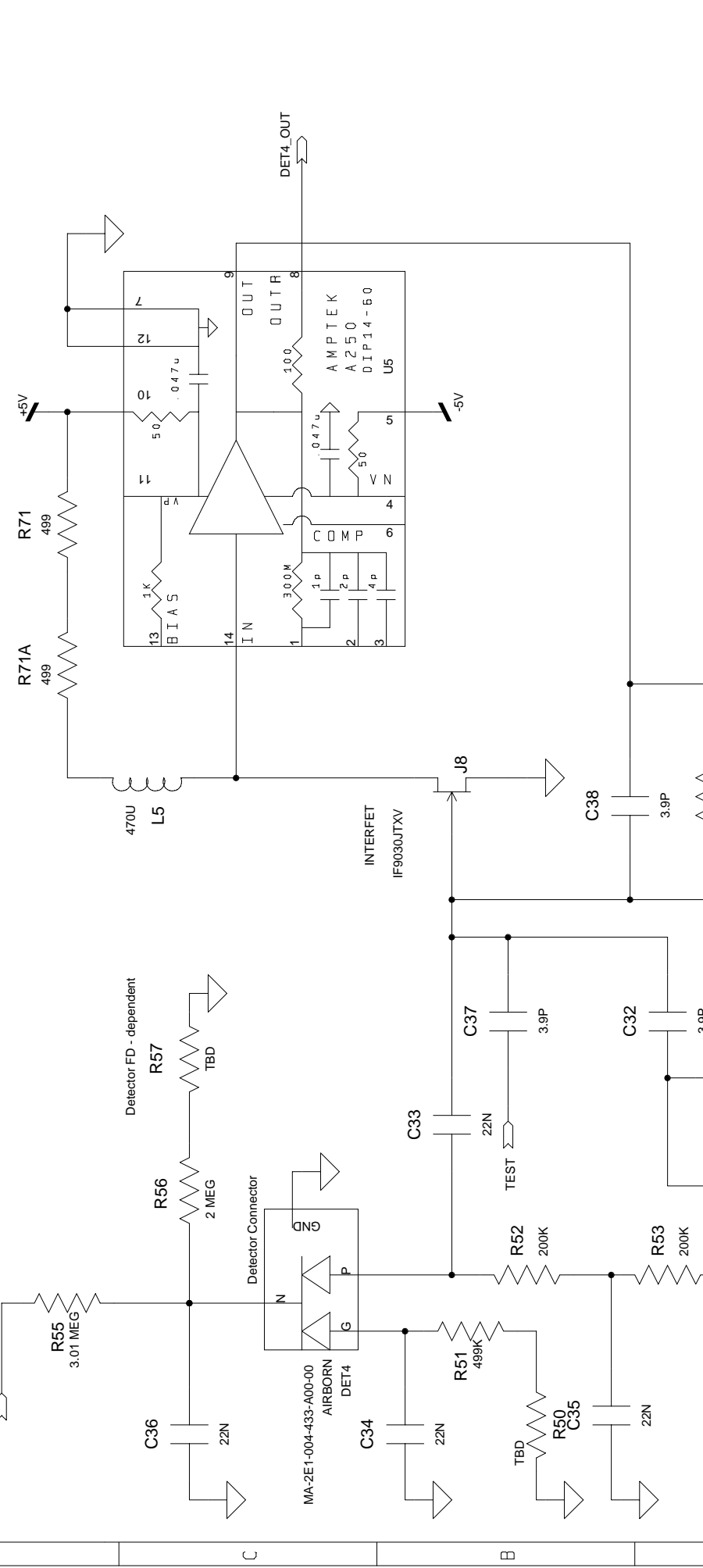
SHEET 4 OF 7

2 1

3 4

D C B A

REVISIONS	
REV	DESCRIPTION



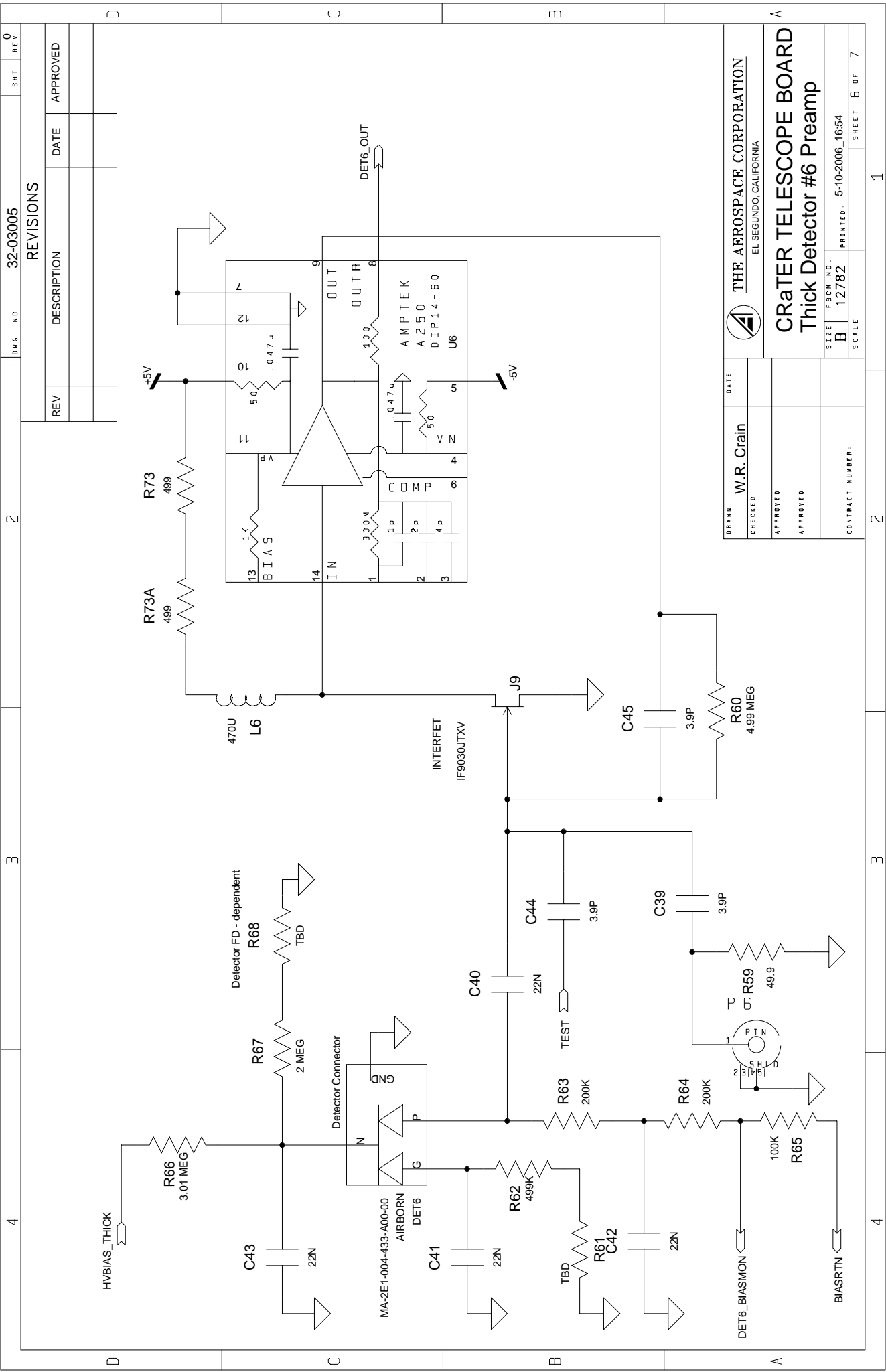
DATE	
DRWN	W.R. Crain
CHECKED	
APPROVED	
APPROVED	
CONTRACT NUMBER	

**THE AEROSPACE CORPORATION**  
 EL SEGUNDO, CALIFORNIA

**CRATER TELESCOPE BOARD**  
**Thick Detector #4 Preamp**

SIZE	FSCW NO.	PRINTED	5-10-2006_16:54
B	12782	SCALE	

SHEET 5 OF 7



4 3 2 1

D C B A

REV	DESCRIPTION	DATE	APPROVED

REVISIONS

32-03005

DRG. NO.

SHT

REF.

0

THE AEROSPACE CORPORATION

EL SEGUNDO, CALIFORNIA

CRATER TELESCOPE BOARD

Thick Detector #6 Preamp

DATE

W.R. Crain

CHECKED

APPROVED

APPROVED

CONTRACT NUMBER

SCALE

1

6 OF 7

5-10-2006 16:54

12782

FSCW NO

B

SIZE

PRINTED

5-10-2006 16:54

SHEET

6 OF 7

1

2

3

4

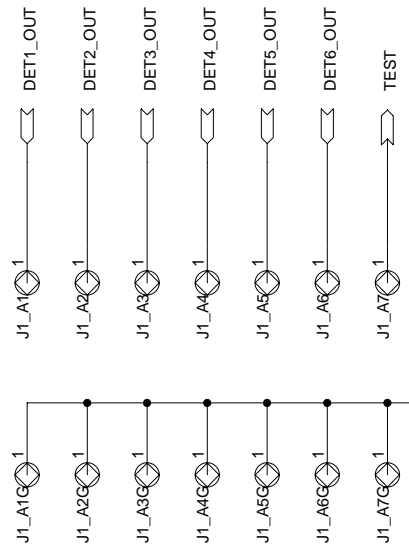
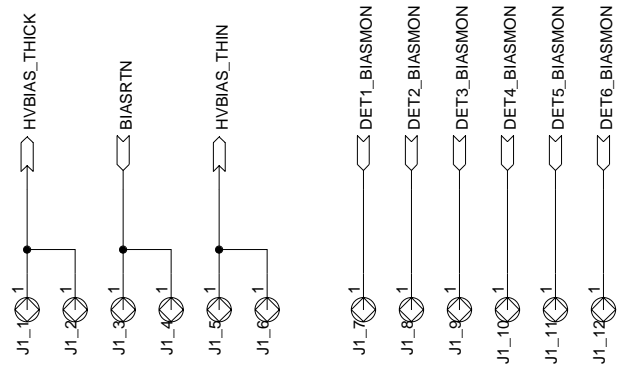
D

C

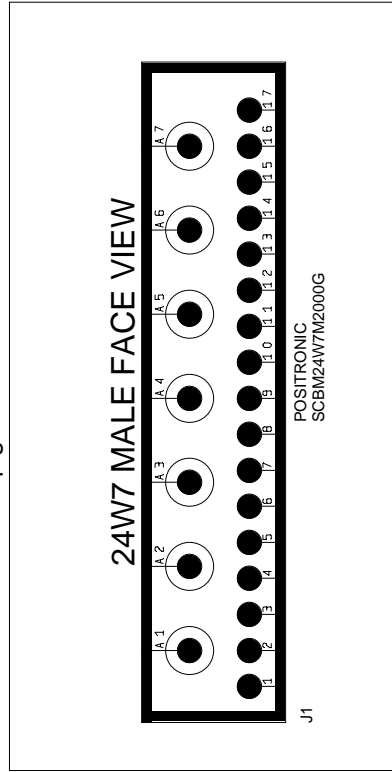
B

A

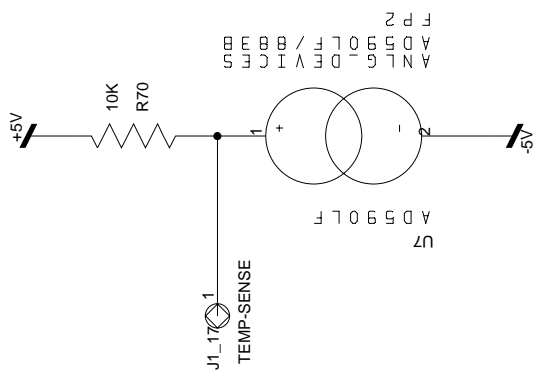
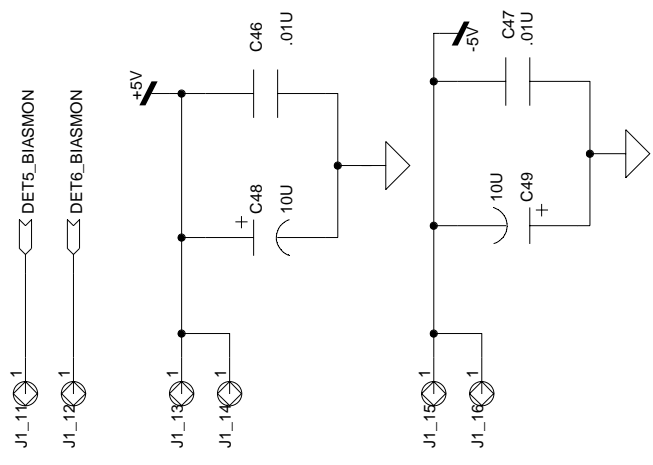
REVISIONS			
REV	DESCRIPTION	DATE	APPROVED



Male connector pigtail from board - FOR REFERENCE



POSITRONIC  
SCBM24W7M2000G



DRAWN	W.R. Crain	DATE	
CHECKED			
APPROVED			
APPROVED			

**THE AEROSPACE CORPORATION**  
EL SEGUNDO, CALIFORNIA

**CRATER TELESCOPE BOARD Interface**

SIZE	FSCW NO.	PRINTED	5-10-2006_17:06
B	12782	SCALE	SHEET 7 OF 7