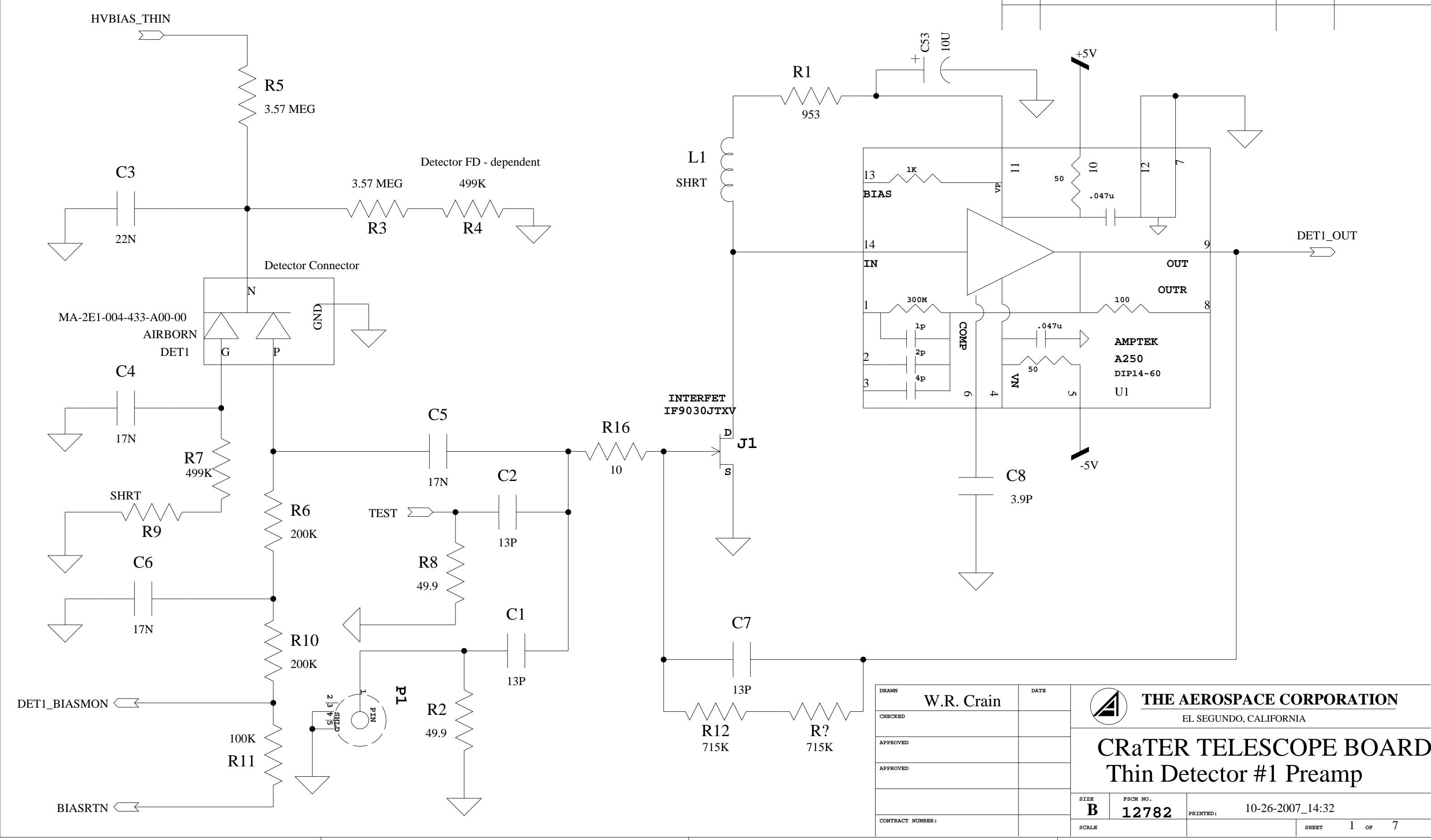


AS BUILT S/N 2 and S/N 3

REVISIONS

REV	DESCRIPTION	DATE	APPROVED
5	As built	10/26/07	



DRAWN	W.R. Crain	DATE	
CHECKED			
APPROVED			
APPROVED			
CONTRACT NUMBER:			

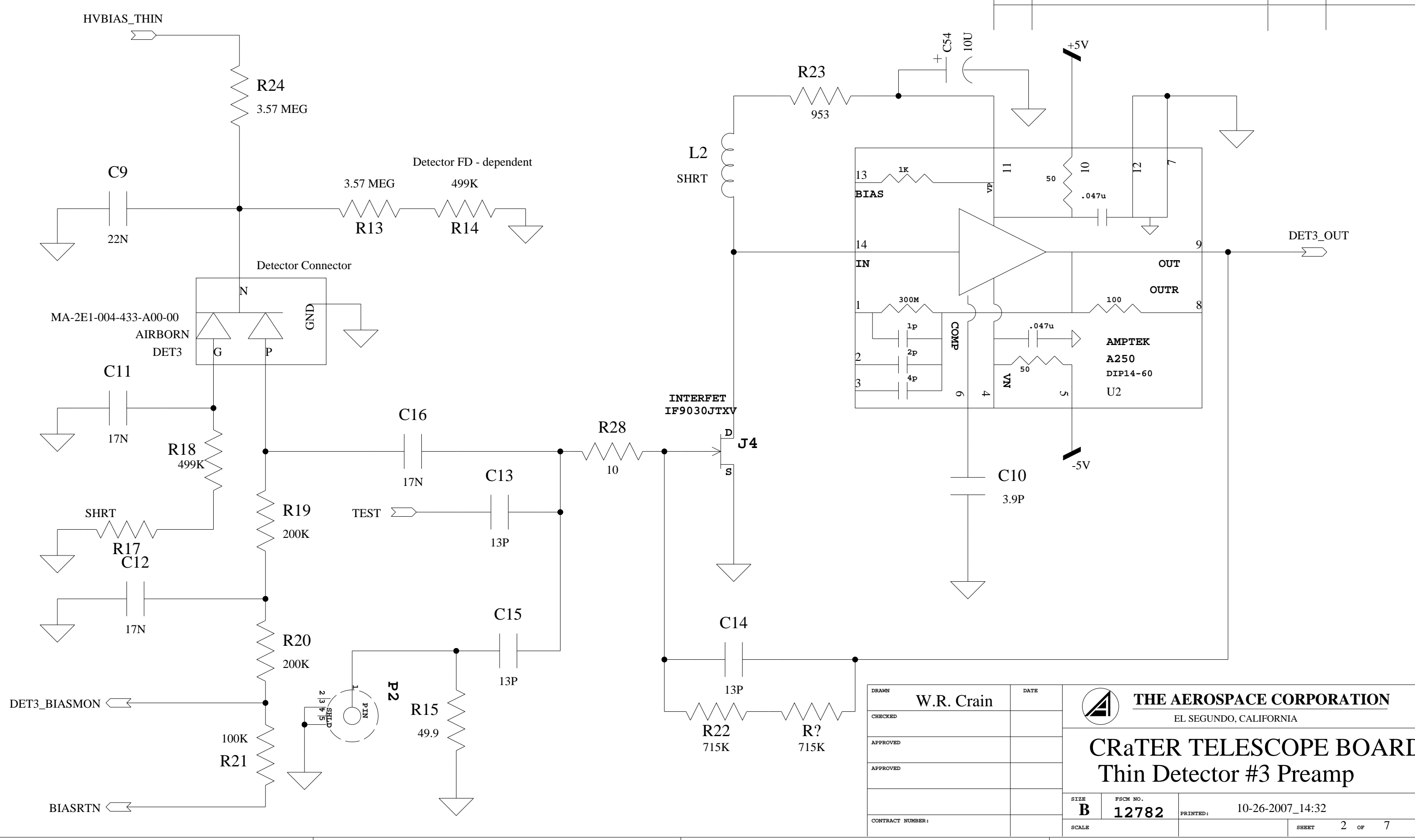

THE AEROSPACE CORPORATION
 EL SEGUNDO, CALIFORNIA

CRATER TELESCOPE BOARD
Thin Detector #1 Preamp

SIZE	FSCM NO.	PRINTED:	10-26-2007_14:32
B	12782		
SCALE		SHEET	1 OF 7

AS BUILT S/N 2 and S/N 3

REVISIONS			
REV	DESCRIPTION	DATE	APPROVED
5	As built	10/26/07	



DRAWN	W.R. Crain	DATE	
CHECKED			
APPROVED			
APPROVED			
CONTRACT NUMBER:			



THE AEROSPACE CORPORATION
EL SEGUNDO, CALIFORNIA

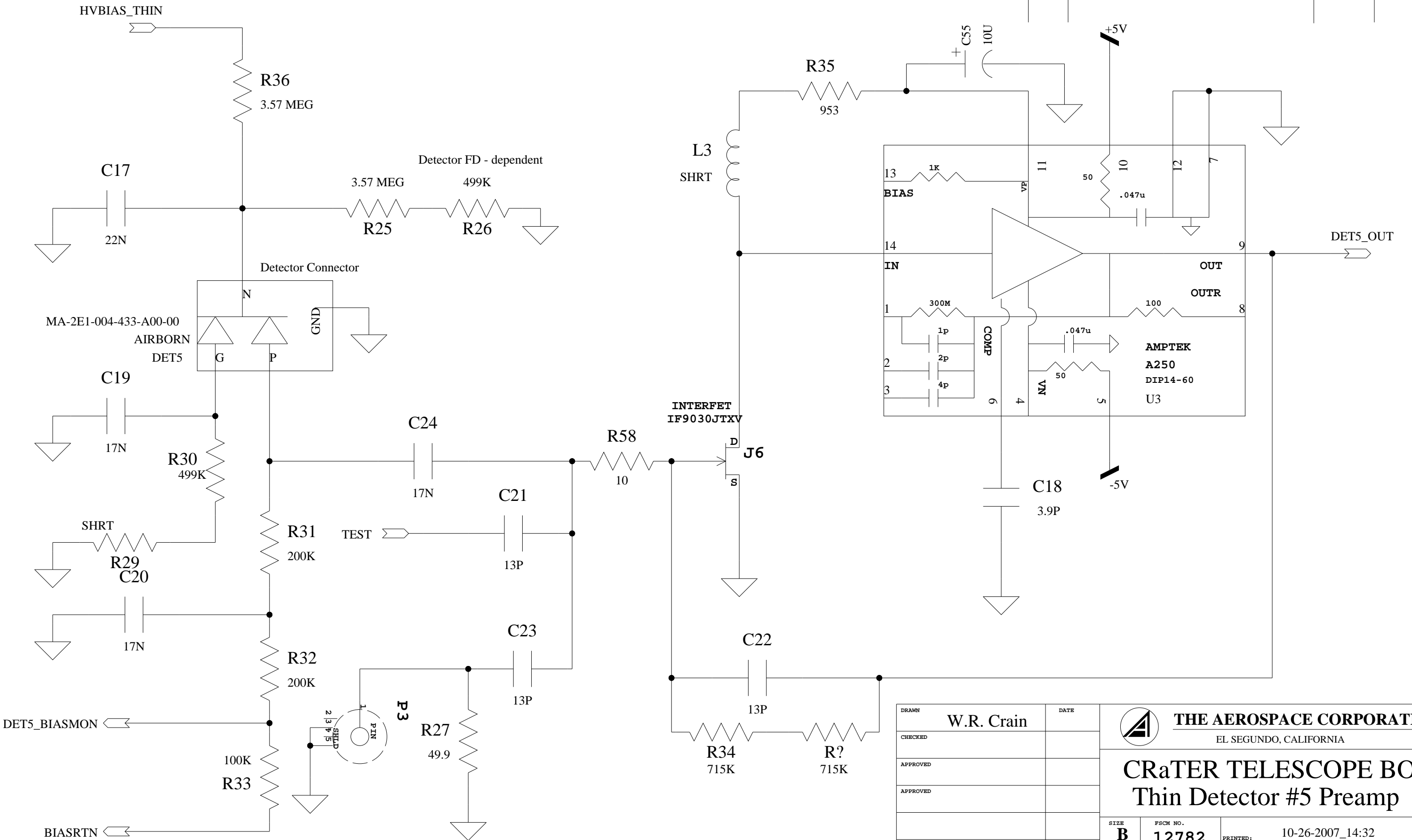
CRATER TELESCOPE BOARD

Thin Detector #3 Preamp

SIZE	B	FSCM NO.	12782	PRINTED:	10-26-2007_14:32
SCALE				SHEET	2 OF 7

AS BUILT S/N 2 and S/N 3

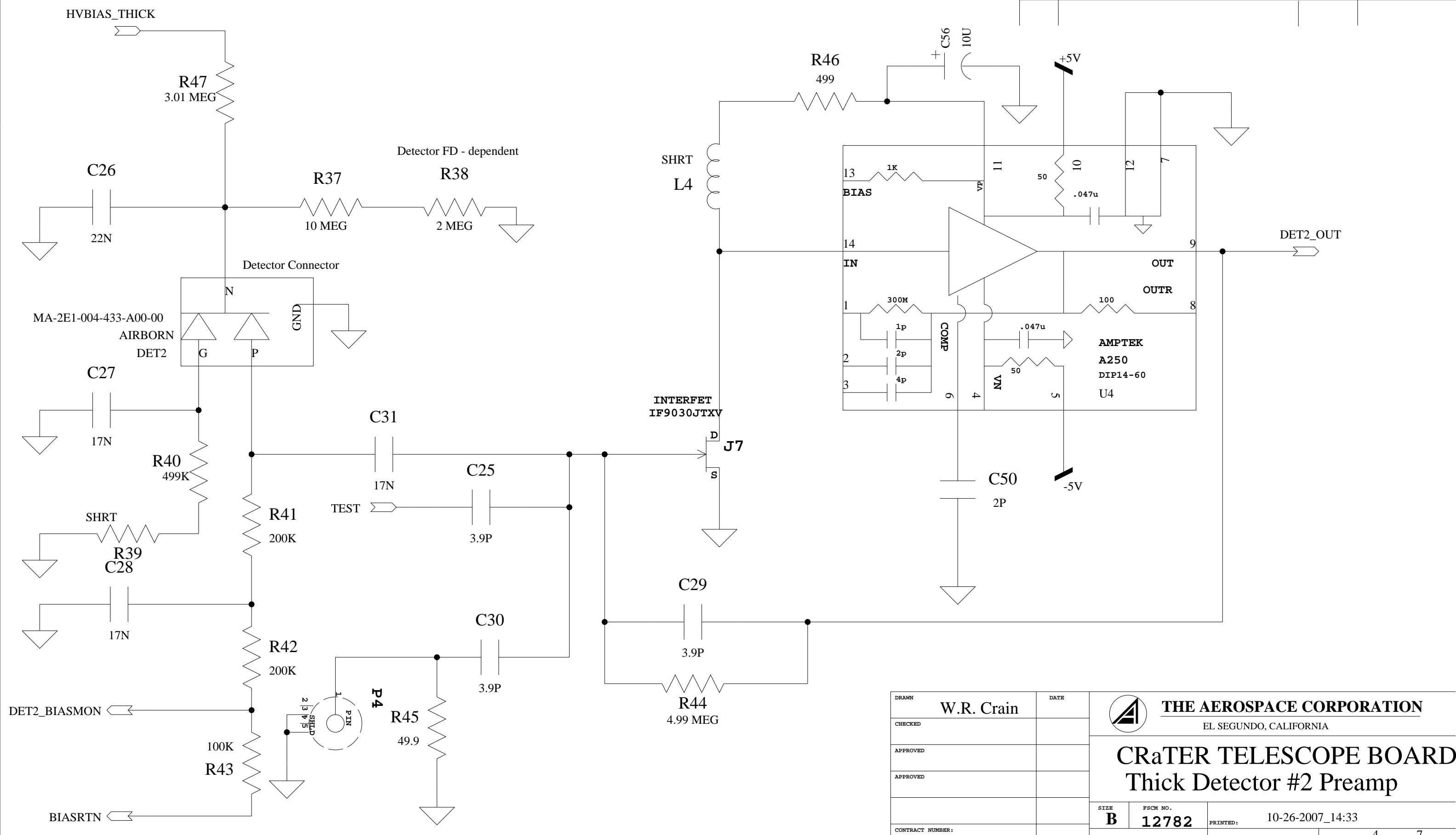
REVISIONS			
REV	DESCRIPTION	DATE	APPROVED
5	As built	10/26/07	



DRAWN W.R. Crain	DATE	 THE AEROSPACE CORPORATION EL SEGUNDO, CALIFORNIA
CHECKED		
APPROVED		
APPROVED		
CONTRACT NUMBER:		CRATER TELESCOPE BOARD Thin Detector #5 Preamp
SIZE B	FSCM NO. 12782	PRINTED: 10-26-2007_14:32
SCALE	SHEET 3 OF 7	

AS BUILT S/N 2 and S/N 3

REVISIONS			
REV	DESCRIPTION	DATE	APPROVED
5	As built	10/26/07	



DRAWN	W.R. Crain	DATE	
CHECKED			
APPROVED			
APPROVED			
CONTRACT NUMBER:			

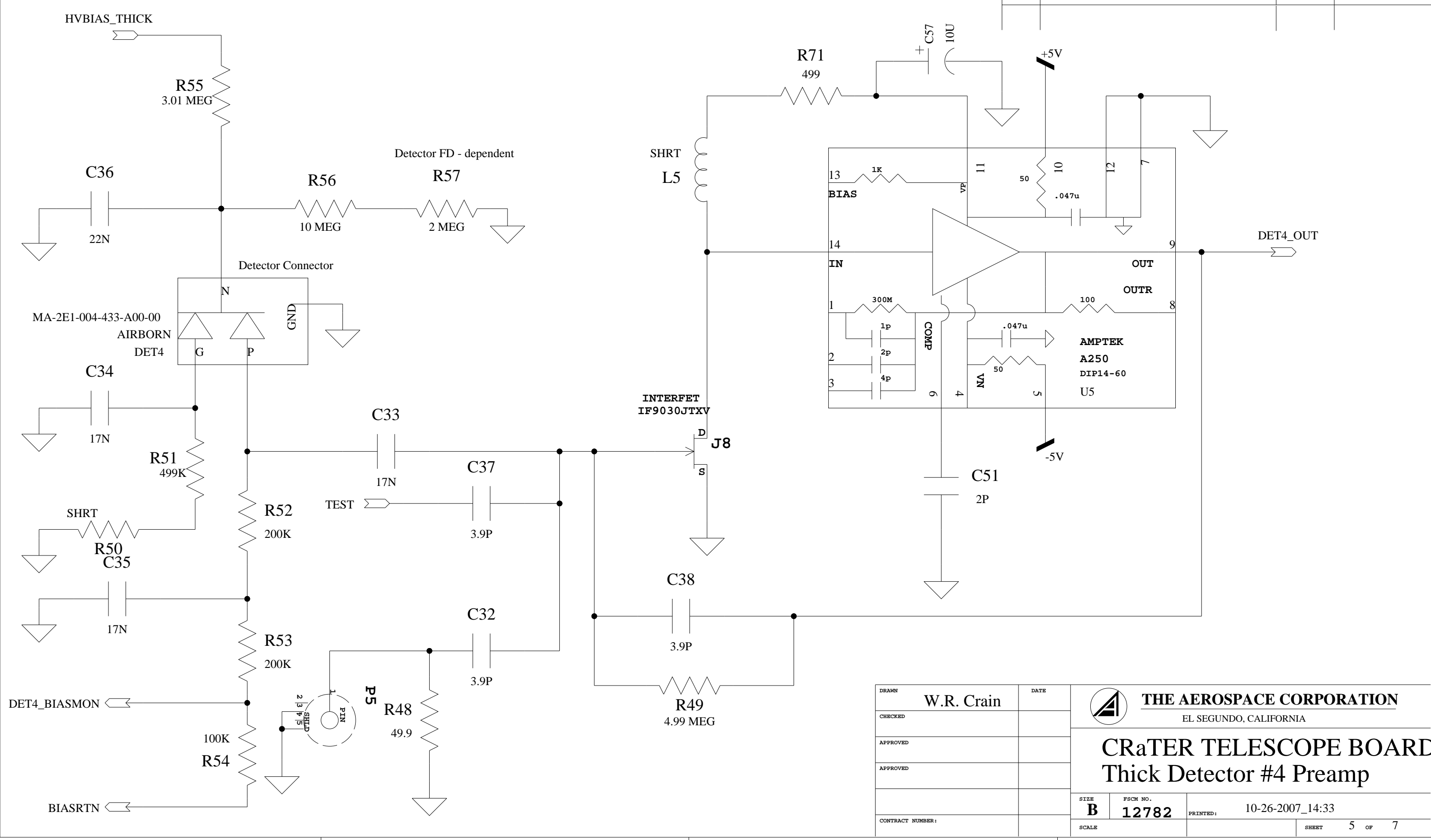

THE AEROSPACE CORPORATION
 EL SEGUNDO, CALIFORNIA

CRATER TELESCOPE BOARD
Thick Detector #2 Preamp


SIZE	FSCM NO.	PRINTED:	10-26-2007_14:33
B	12782		
SCALE		SHEET	4 OF 7

AS BUILT S/N 2 and S/N 3

REVISIONS			
REV	DESCRIPTION	DATE	APPROVED
5	As built	10/26/07	



DRAWN	W.R. Crain	DATE	
CHECKED			
APPROVED			
APPROVED			
CONTRACT NUMBER:		SIZE	B
		FSCM NO.	12782
		PRINTED:	10-26-2007_14:33
		SHEET	5 OF 7



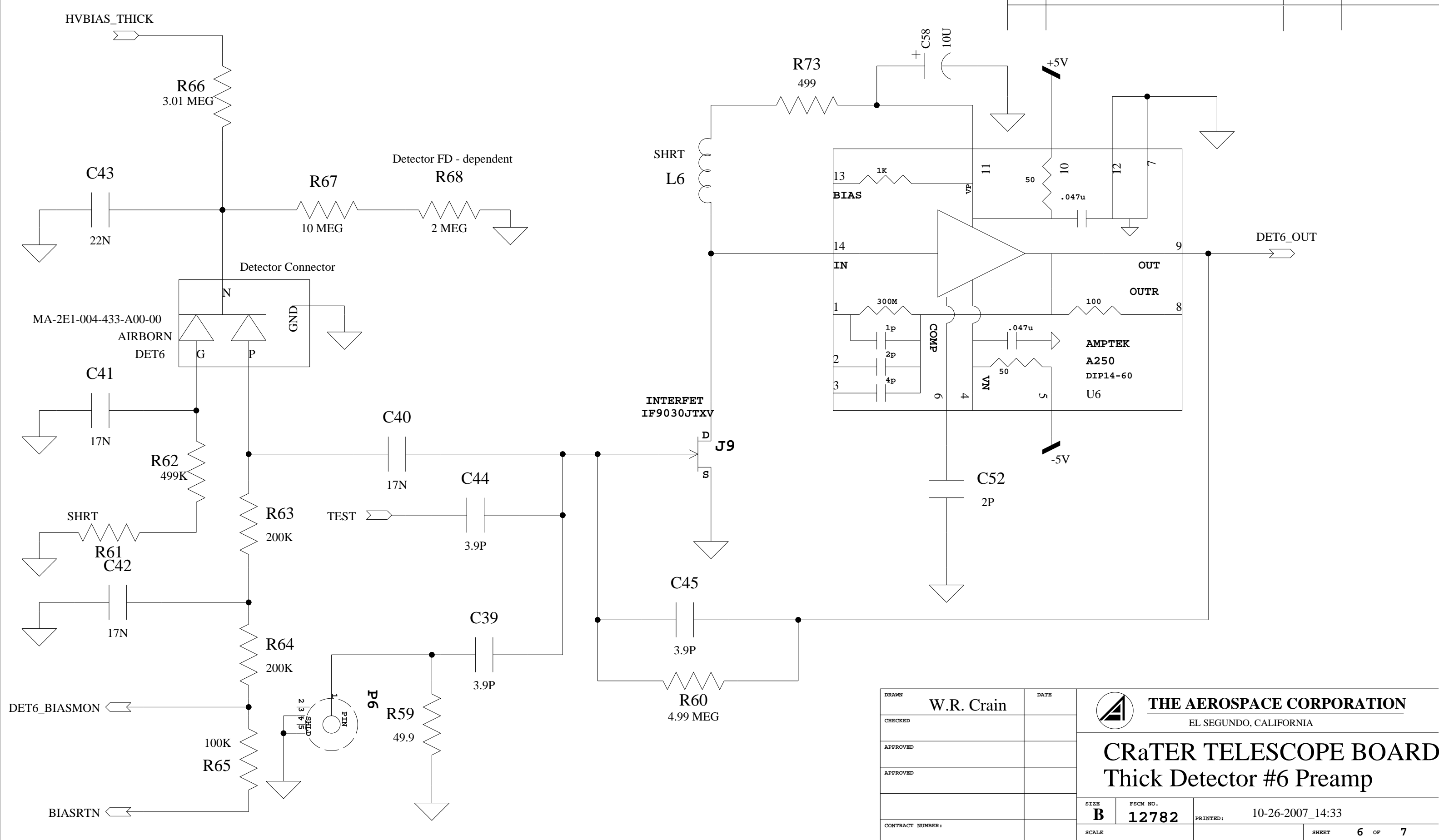
THE AEROSPACE CORPORATION
EL SEGUNDO, CALIFORNIA

CRATER TELESCOPE BOARD

Thick Detector #4 Preamp

AS BUILT S/N 2 and S/N 3

REVISIONS			
REV	DESCRIPTION	DATE	APPROVED
5	As built	10/26/07	



DRAWN	W.R. Crain	DATE	
CHECKED			
APPROVED			
APPROVED			
CONTRACT NUMBER:			


THE AEROSPACE CORPORATION
 EL SEGUNDO, CALIFORNIA

CRATER TELESCOPE BOARD

Thick Detector #6 Preamp

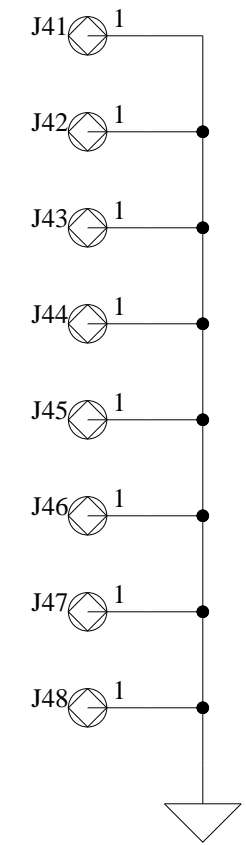
SIZE	FSCM NO.	PRINTED:	10-26-2007_14:33
B	12782		
SCALE		SHEET	6 OF 7

REVISIONS

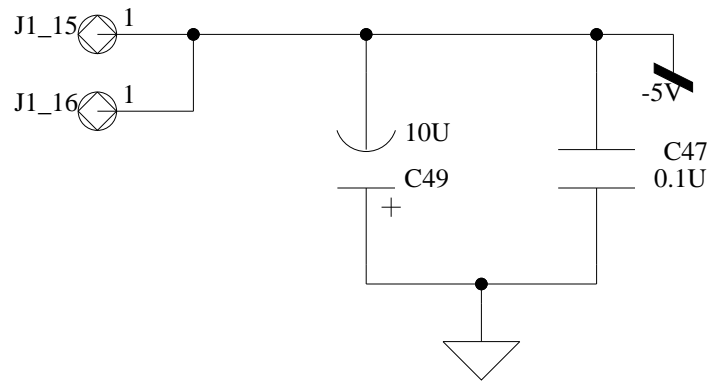
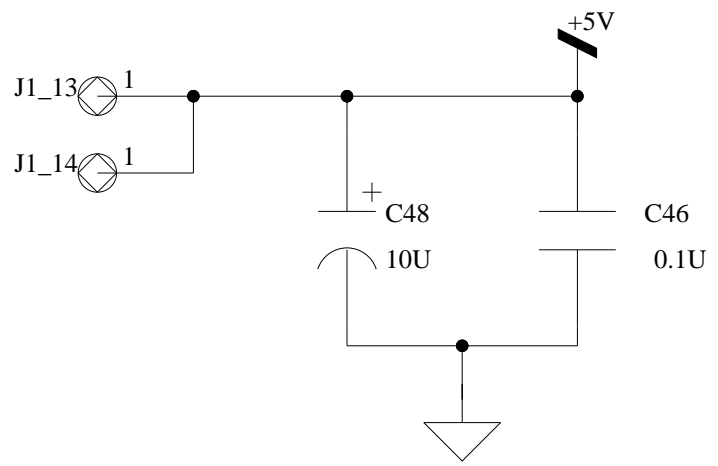
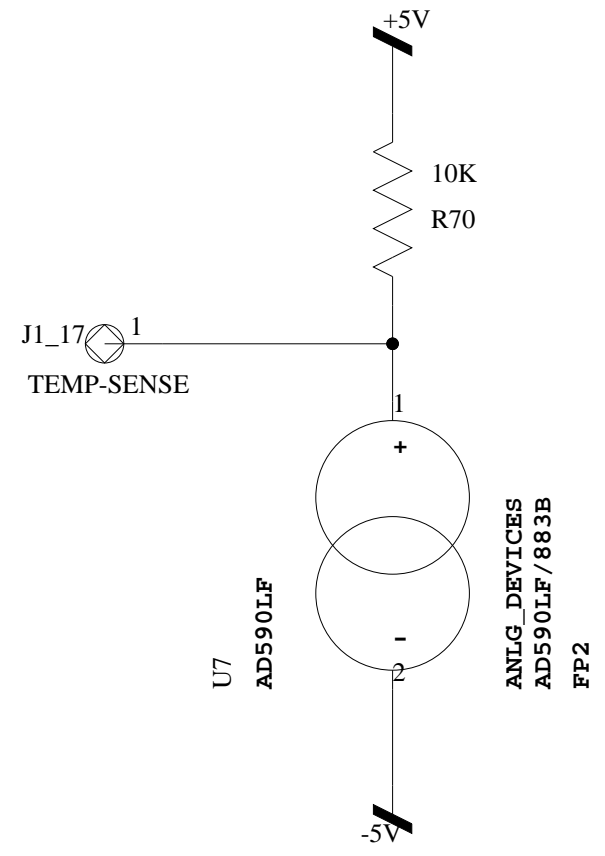
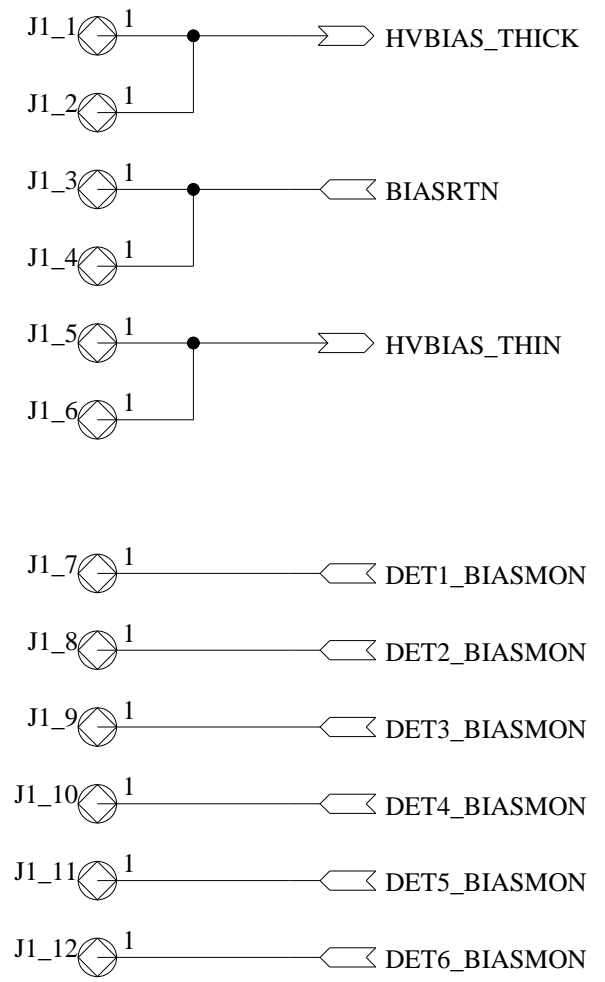
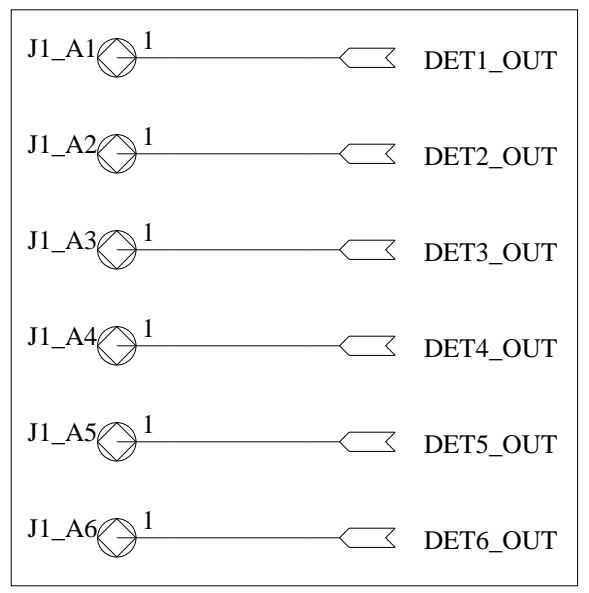
REV	DESCRIPTION	DATE	APPROVED
5	As built	10/26/07	

AS BUILT S/N 2 and S/N 3

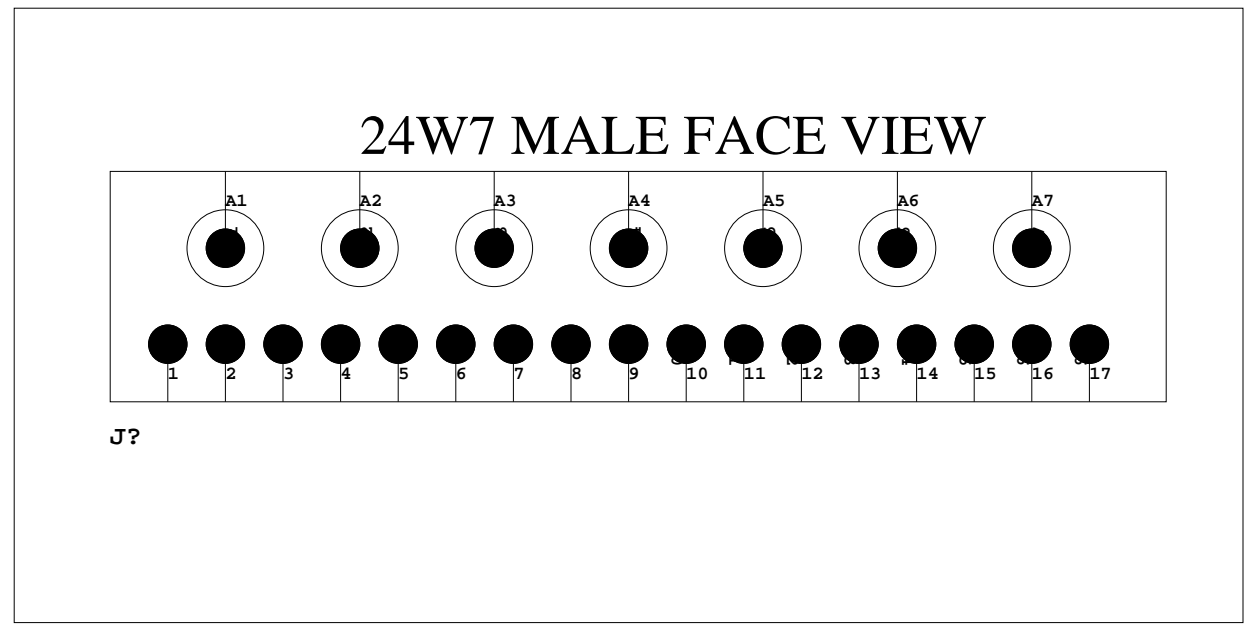
GROUND TEST POINTS



COAX OUTPUTS



Male connector pigtail from board - FOR REFERENCE



DRAWN	W.R. Crain	DATE	
CHECKED			
APPROVED			
APPROVED			
CONTRACT NUMBER:			

THE AEROSPACE CORPORATION
EL SEGUNDO, CALIFORNIA

CRATER TELESCOPE BOARD
Interface

SIZE	FSCM NO.	PRINTED:	
B	12782	10-26-2007_14:33	
SCALE		SHEET	7 OF 7