

4

3

2

3

DWG. NO.

32-03004

SHT

REV.

REVISIONS

REV	DESCRIPTION	DATE	APPROVED
3	Layout rev A release	10/12/06	

D

D

C

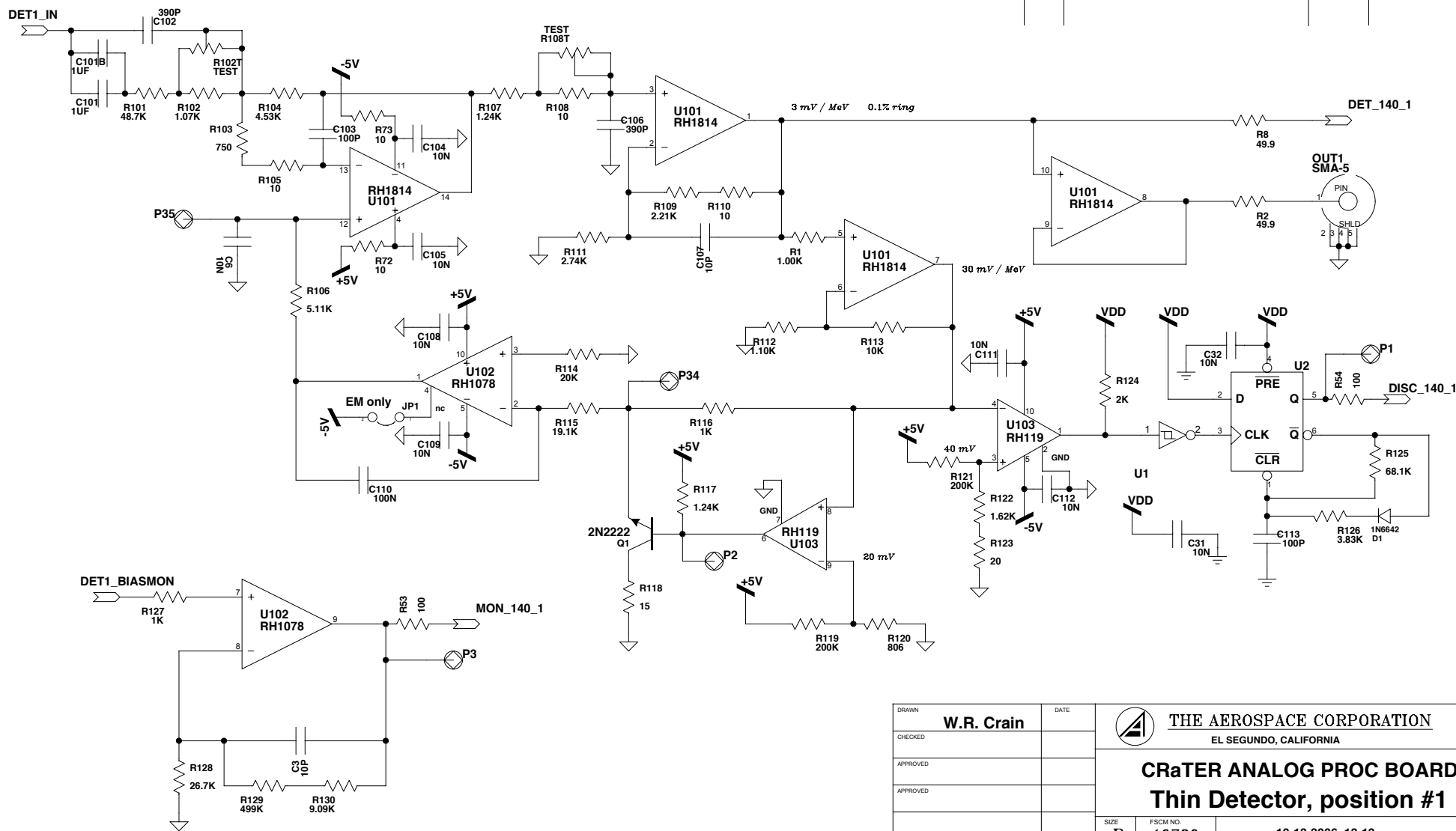
C

B


B

A

A



DRAWN	DATE
W.R. Crain	
CHECKED	
APPROVED	
APPROVED	
CONTRACT NUMBER	


**THE AEROSPACE CORPORATION**  
 EL SEGUNDO, CALIFORNIA  
**CRATER ANALOG PROC BOARD**  
**Thin Detector, position #1**

SIZE	FSCM NO.	PRINTED:
B	12782	10-13-2006_13:13
SCALE		SHEET 1 OF 9

4

3

2

1

4

3

2

3

DWG. NO. 32-03004

SHT REV.

REVISIONS

REV	DESCRIPTION	DATE	APPROVED
3	Layout rev A release	10/12/06	

D

D

C

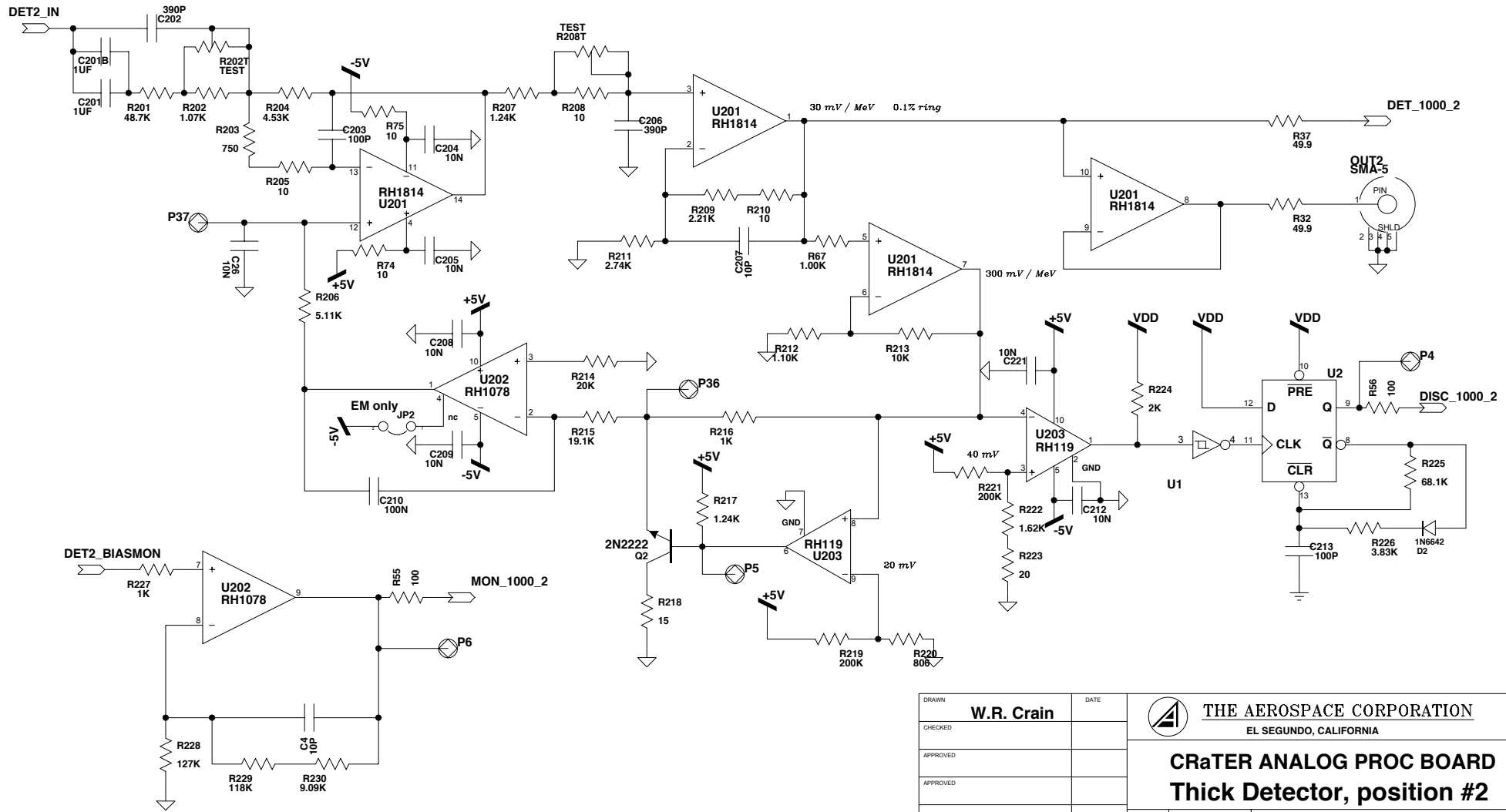
C

B

B

A

A



DRAWN	W.R. Crain	DATE	
CHECKED			
APPROVED			
APPROVED			
CONTRACT NUMBER			


**THE AEROSPACE CORPORATION**  
 EL SEGUNDO, CALIFORNIA

**CRATER ANALOG PROC BOARD**  
**Thick Detector, position #2**

SIZE	FSCM NO.	PRINTED:	10-13-2006_13:13
B	12782		
SCALE		SHEET	2 OF 9

4

3

2

1

4

3

2

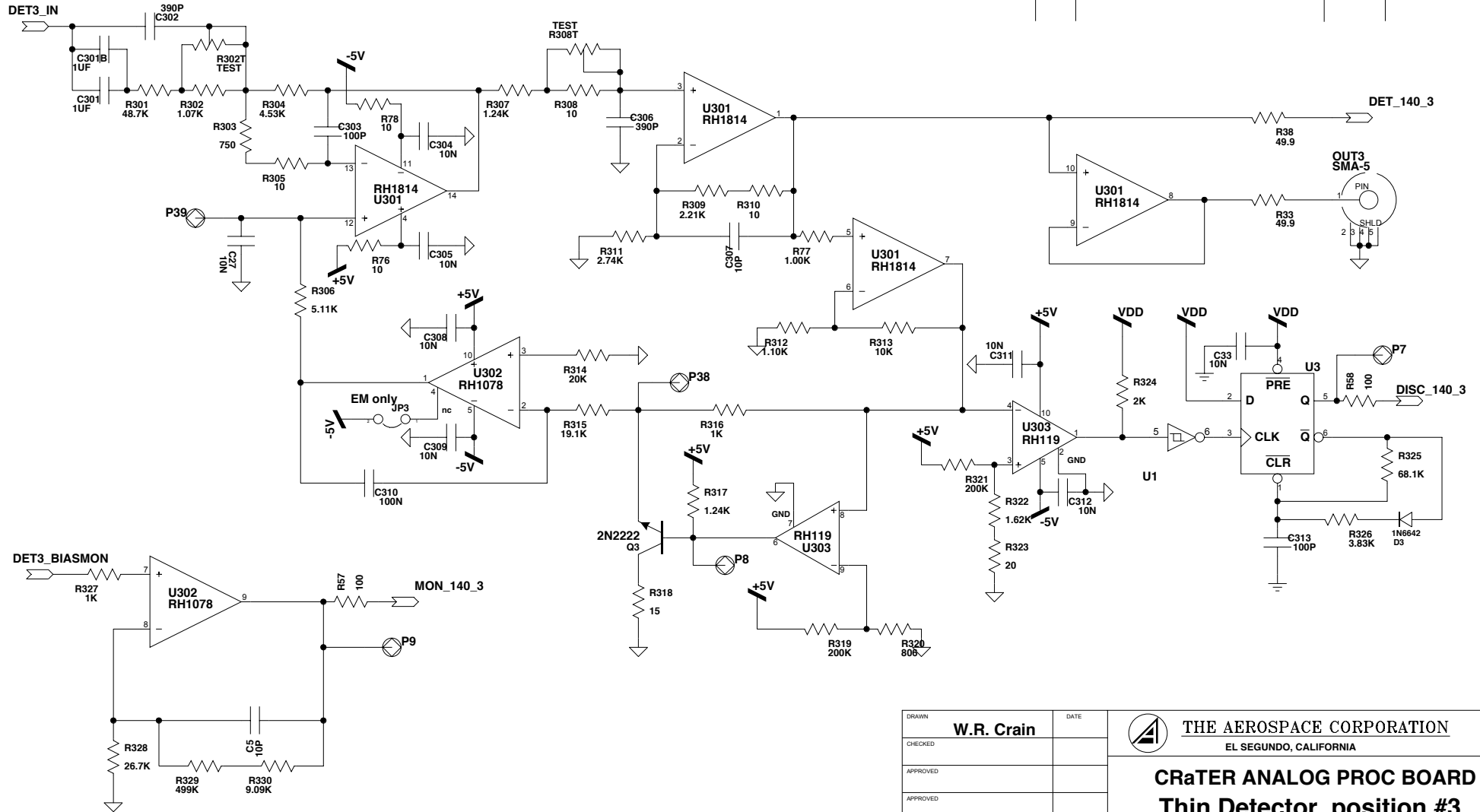
3

DWG. NO. 32-03004

SHT REV.

REVISIONS

REV	DESCRIPTION	DATE	APPROVED
3	Layout rev A release	10/12/06	




4

3

2

1

DRAWN	DATE
W.R. Crain	
CHECKED	
APPROVED	
APPROVED	
CONTRACT NUMBER	


**THE AEROSPACE CORPORATION**  
 EL SEGUNDO, CALIFORNIA  
**CRATER ANALOG PROC BOARD**  
**Thin Detector, position #3**

SIZE	FSCM NO.	PRINTED
B	12782	10-13-2006_13:13
SCALE	SHEET 3 OF 9	

4

3

2

DWG. NO.

32-03004

SHT

3

REVISIONS

REV	DESCRIPTION	DATE	APPROVED
3	Layout rev A release	10/12/06	

D

C

B

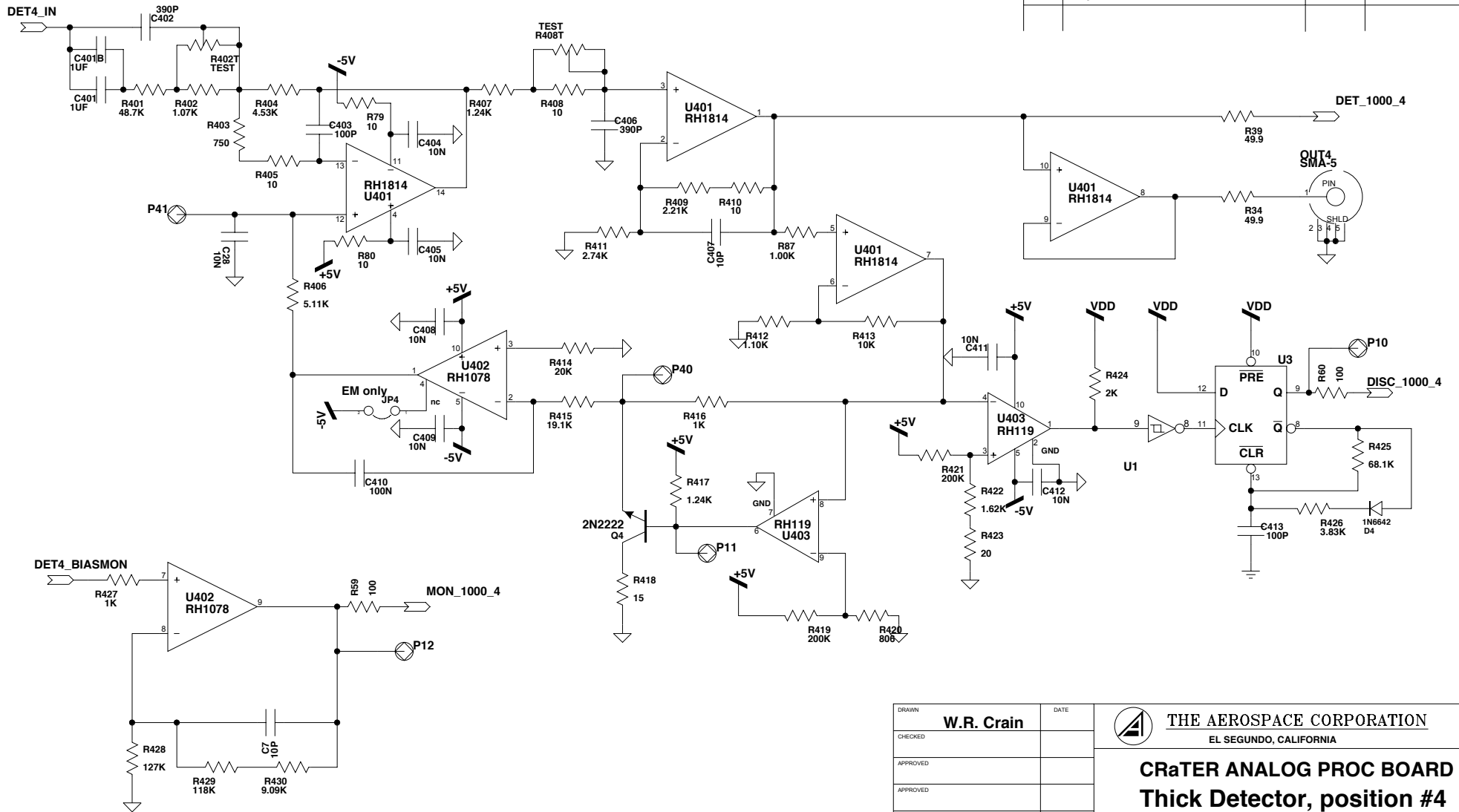
A

D

C

B

A



DRAWN	DATE
W.R. Crain	
CHECKED	
APPROVED	
APPROVED	
CONTRACT NUMBER	


**THE AEROSPACE CORPORATION**  
 EL SEGUNDO, CALIFORNIA  
**CRATER ANALOG PROC BOARD**  
**Thick Detector, position #4**

SIZE	FSCM NO.	PRINTED
B	12782	10-13-2006 13:13
SCALE		SHEET 4 OF 9

4

3

2

DWG. NO.

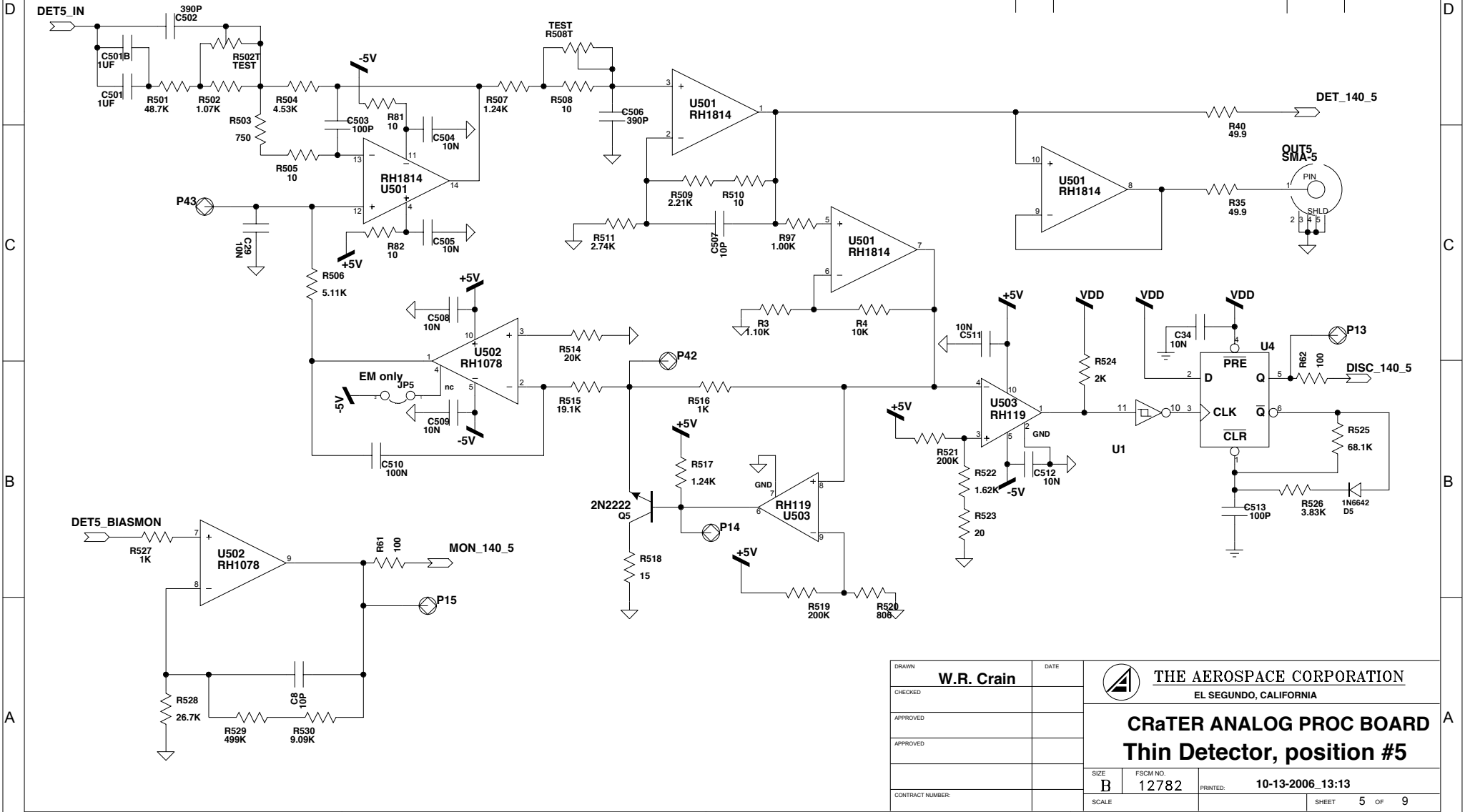
32-03004

SHT

3

REVISIONS

REV	DESCRIPTION	DATE	APPROVED
3	Layout rev A release	10/12/06	



4

3

2

1

DRAWN	W.R. Crain	DATE	
CHECKED			
APPROVED			
APPROVED			
CONTRACT NUMBER			


**THE AEROSPACE CORPORATION**  
 EL SEGUNDO, CALIFORNIA

**CRATER ANALOG PROC BOARD**  
**Thin Detector, position #5**

SIZE	FSCM NO.	PRINTED	10-13-2006_13:13
B	12782		

SCALE \_\_\_\_\_ SHEET 5 OF 9

4

3

2

3

DWG. NO. 32-03004 SHT REV.

REVISIONS

REV	DESCRIPTION	DATE	APPROVED
3	Layout rev A release	10/12/06	

D

D

C

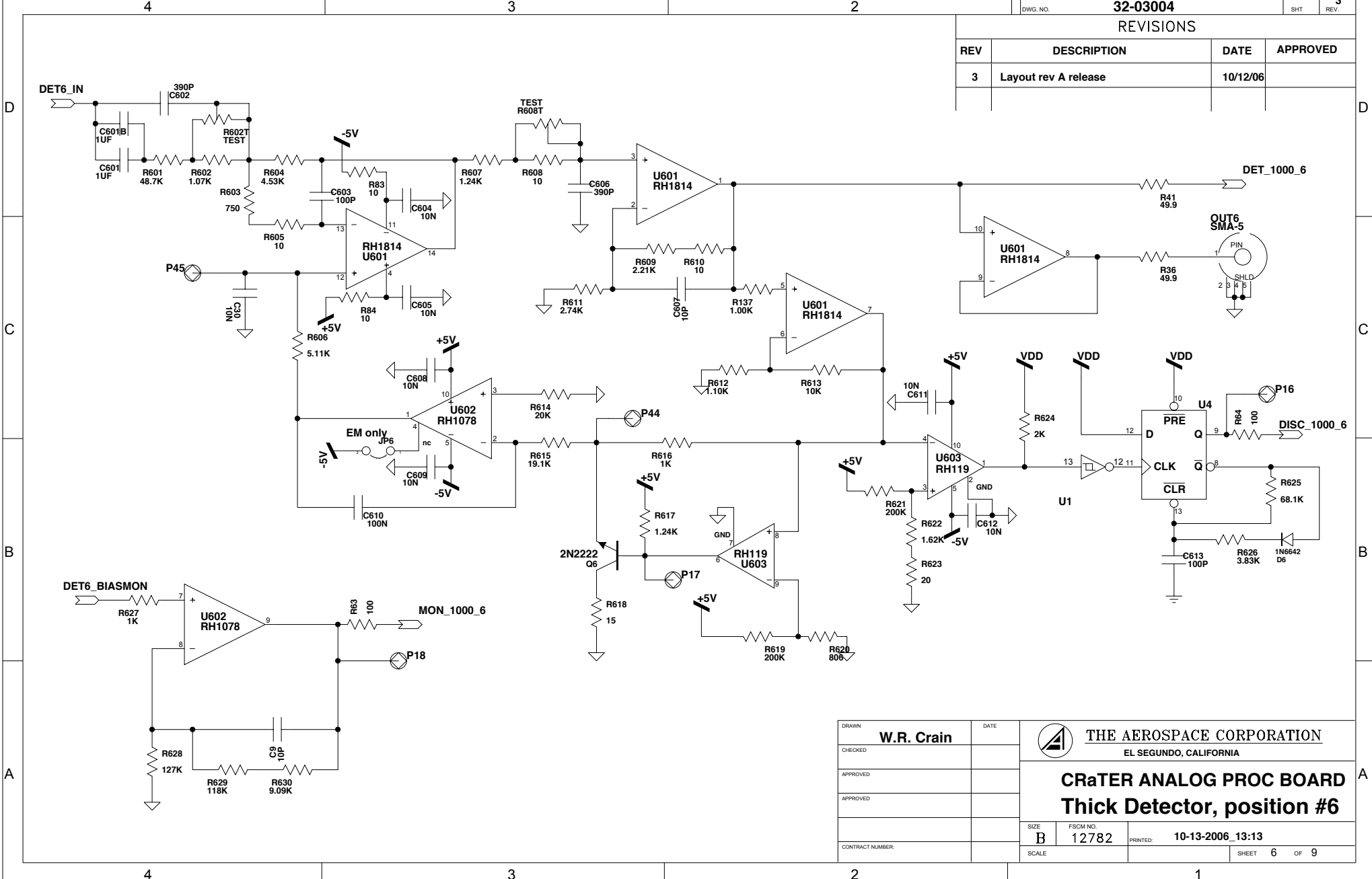
C

B

B

A

A



DRAWN	DATE
W.R. Crain	
CHECKED	
APPROVED	
APPROVED	
CONTRACT NUMBER	


**THE AEROSPACE CORPORATION**  
 EL SEGUNDO, CALIFORNIA  
**CRATER ANALOG PROC BOARD**  
**Thick Detector, position #6**

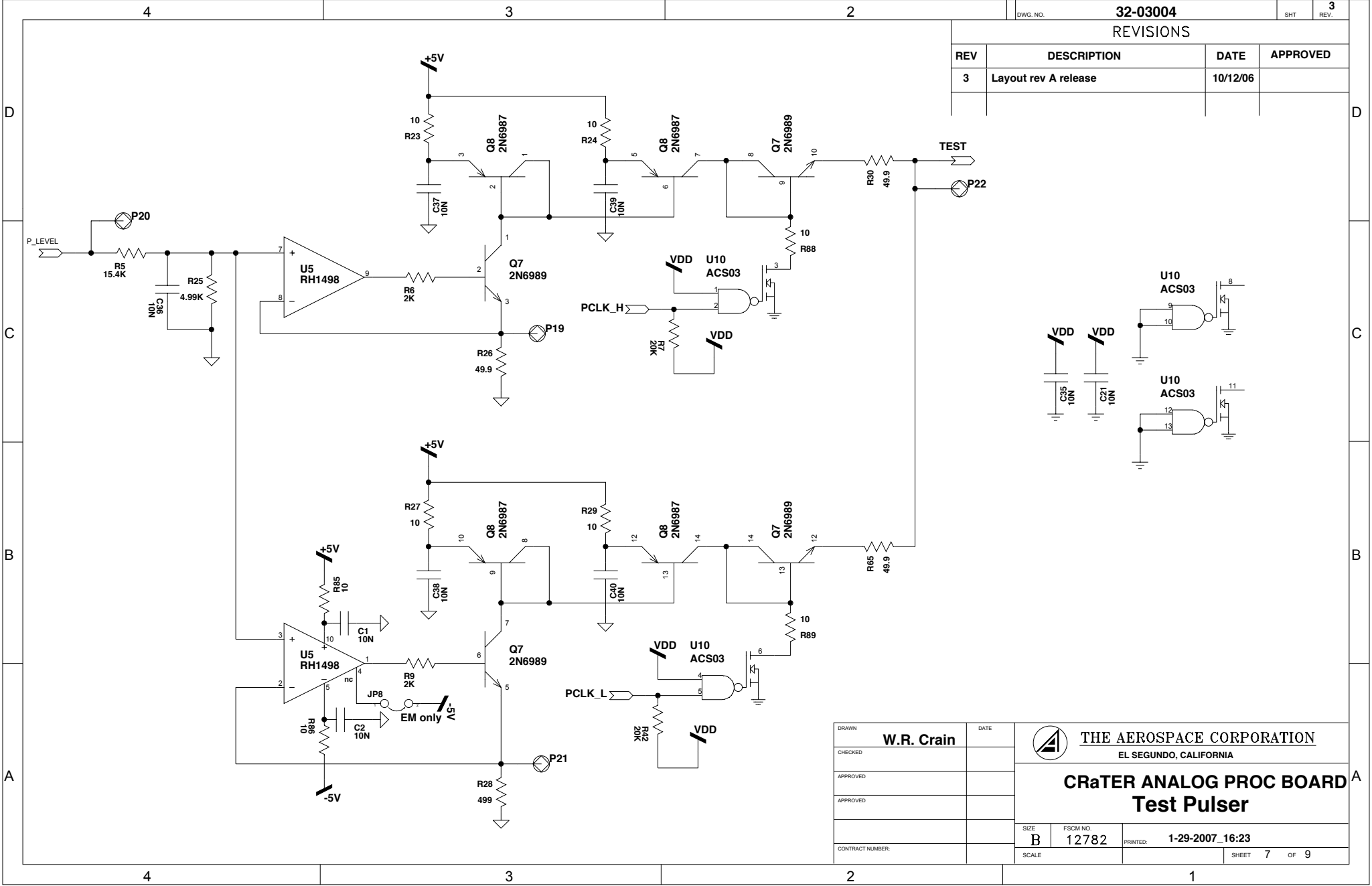
SIZE	FSCM NO.	PRINTED:
B	12782	10-13-2006_13:13
SCALE	SHEET 6 OF 9	

4

3

2

1



DWG. NO. <b>32-03004</b>		SHT	3
REVISIONS			
REV	DESCRIPTION	DATE	APPROVED
3	Layout rev A release	10/12/06	

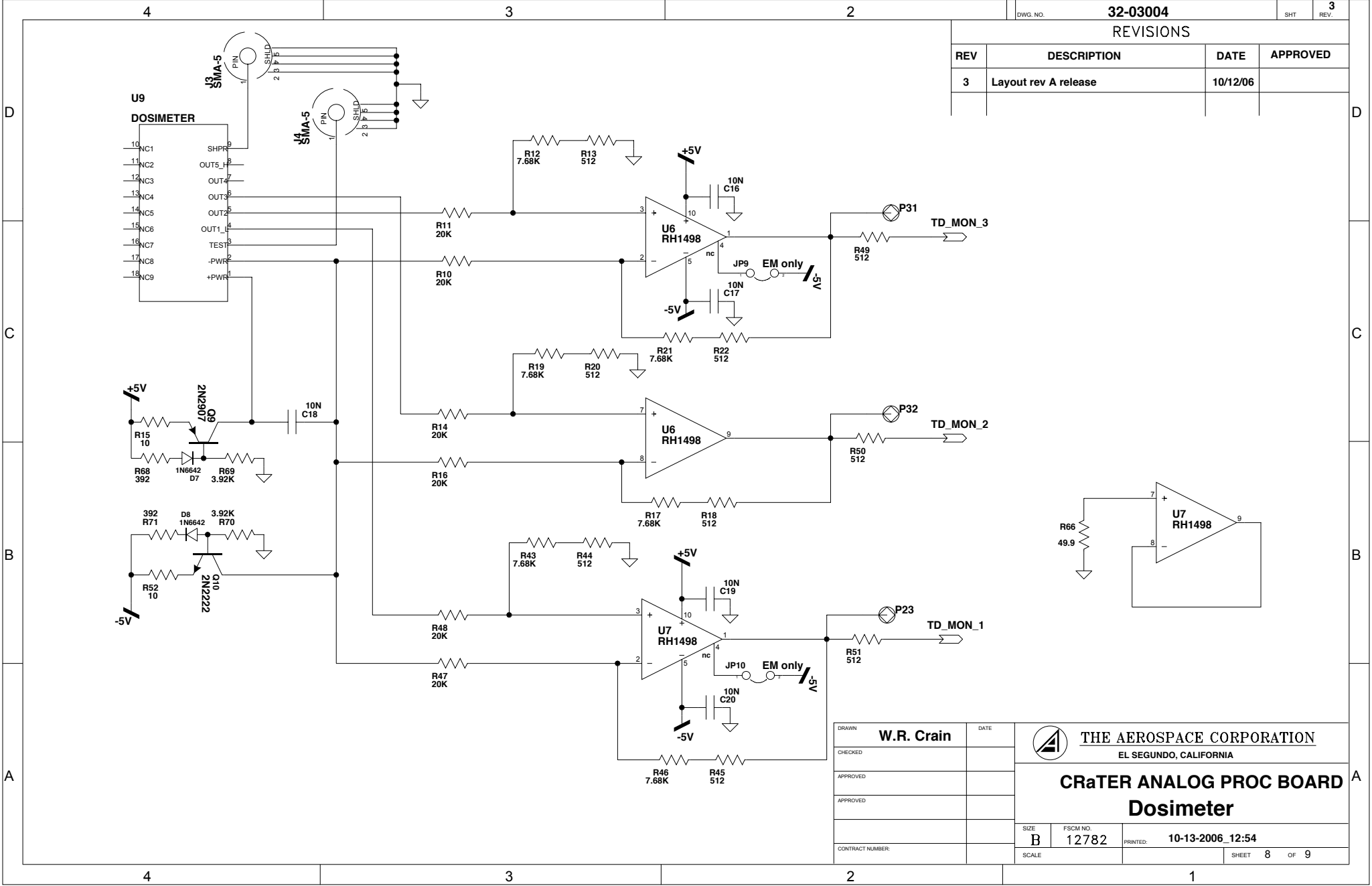
DRAWN	<b>W.R. Crain</b>	DATE	
CHECKED			
APPROVED			
APPROVED			
CONTRACT NUMBER			

**THE AEROSPACE CORPORATION**  
 EL SEGUNDO, CALIFORNIA

**CRATER ANALOG PROC BOARD**  
**Test Pulser**

SIZE	FSCM NO.	PRINTED:	1-29-2007_16:23
B	12782		
SCALE		SHEET	7 OF 9

REVISIONS			
REV	DESCRIPTION	DATE	APPROVED
3	Layout rev A release	10/12/06	



DRAWN	<b>W.R. Crain</b>	DATE	
CHECKED			
APPROVED			
APPROVED			
CONTRACT NUMBER			

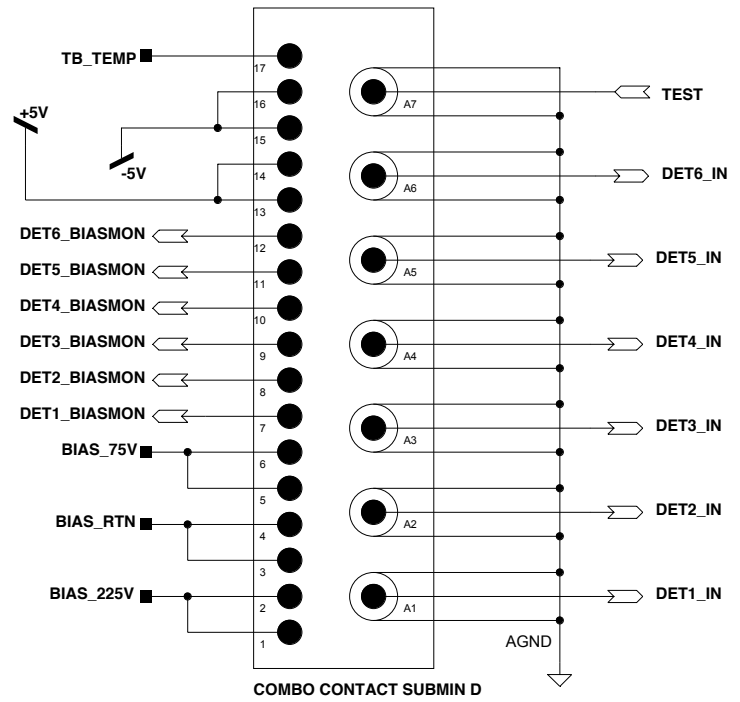
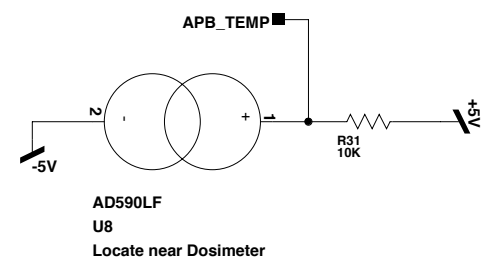
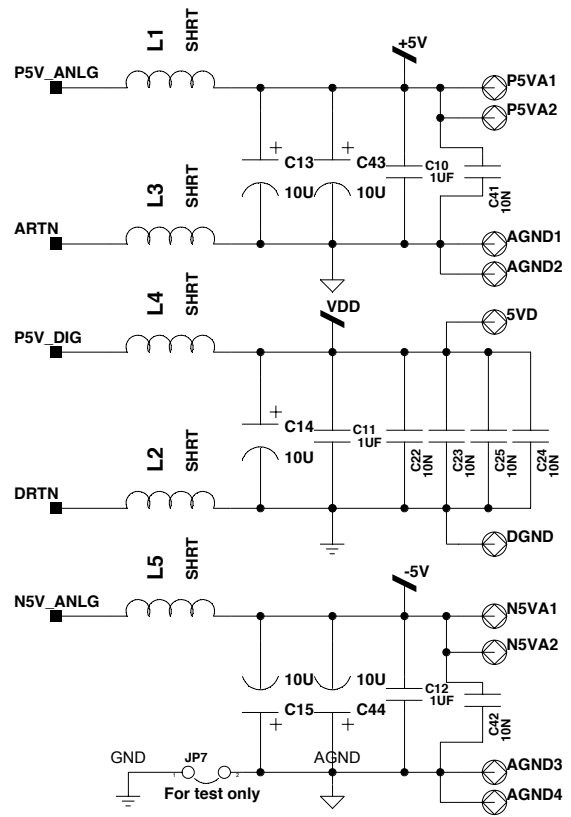
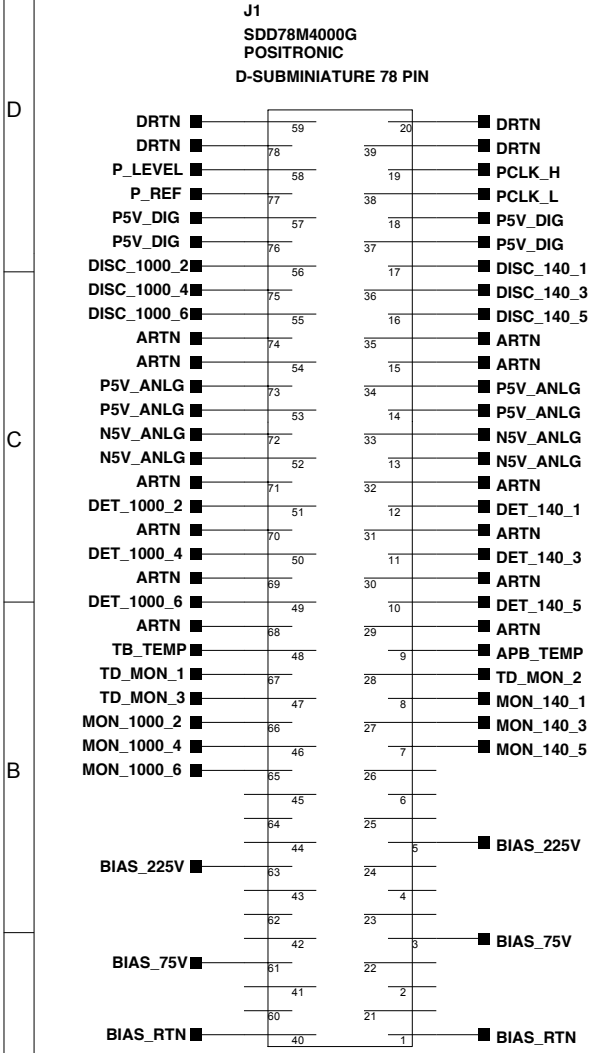

**THE AEROSPACE CORPORATION**  
 EL SEGUNDO, CALIFORNIA

**CRATER ANALOG PROC BOARD**  
**Dosimeter**

SIZE	FSCM NO.	PRINTED:	10-13-2006 12:54
<b>B</b>	<b>12782</b>		
SCALE		SHEET	8 OF 9



REVISIONS			
REV	DESCRIPTION	DATE	APPROVED
3	Layout rev A release	10/12/06	



DRAWN	<b>W.R. Crain</b>	DATE	
CHECKED			
APPROVED			
APPROVED			
CONTRACT NUMBER			

**THE AEROSPACE CORPORATION**  
EL SEGUNDO, CALIFORNIA

**CRATER ANALOG PROC BOARD**  
**Interface**

SIZE <b>B</b>	FSCM NO. <b>12782</b>	PRINTED <b>10-13-2006_13:13</b>
SCALE	SHEET <b>9</b> OF <b>9</b>	