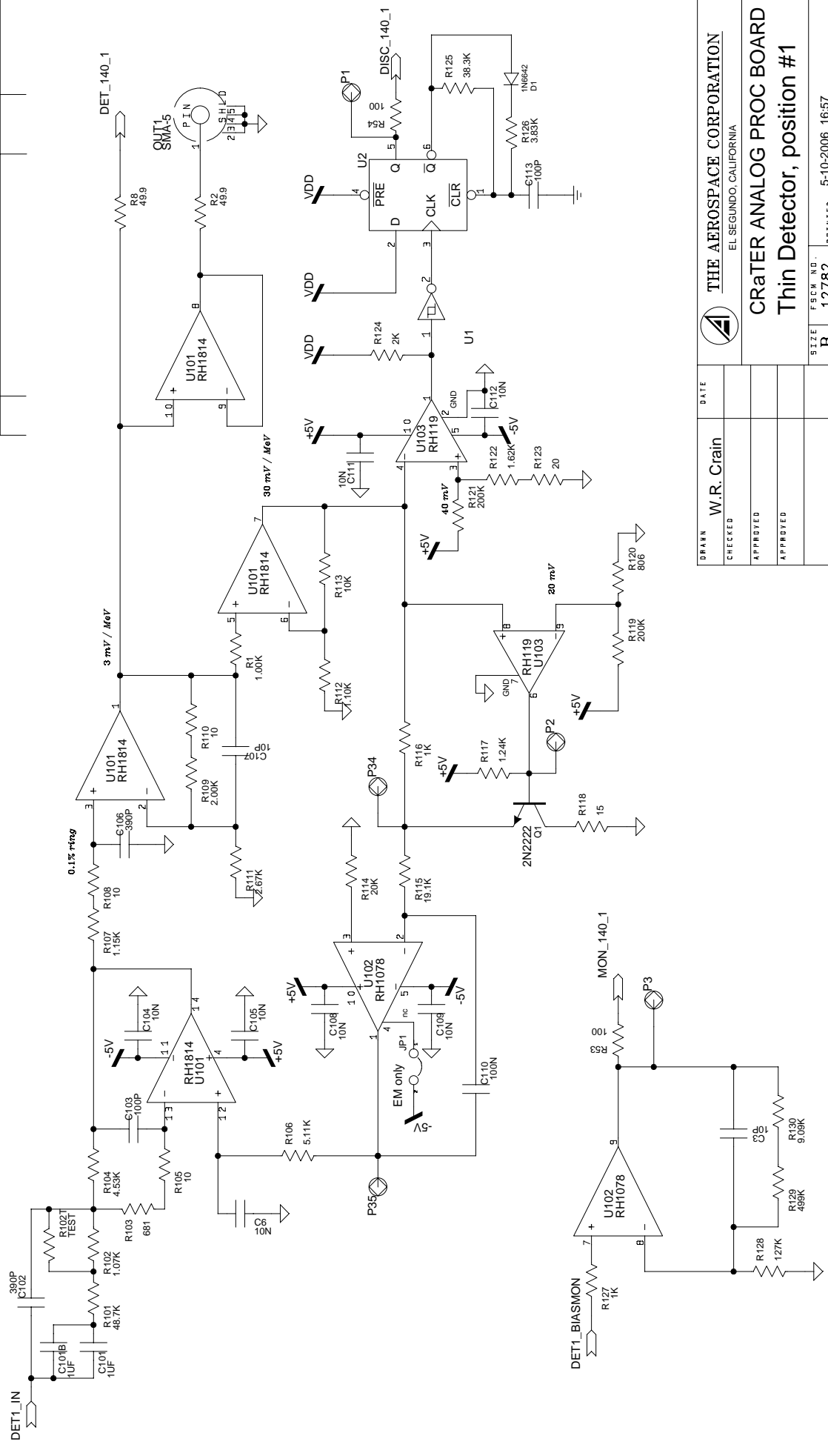


REVISIONS

REV	DESCRIPTION	DATE	APPROVED



THE AEROSPACE CORPORATION
EL SEGUNDO, CALIFORNIA

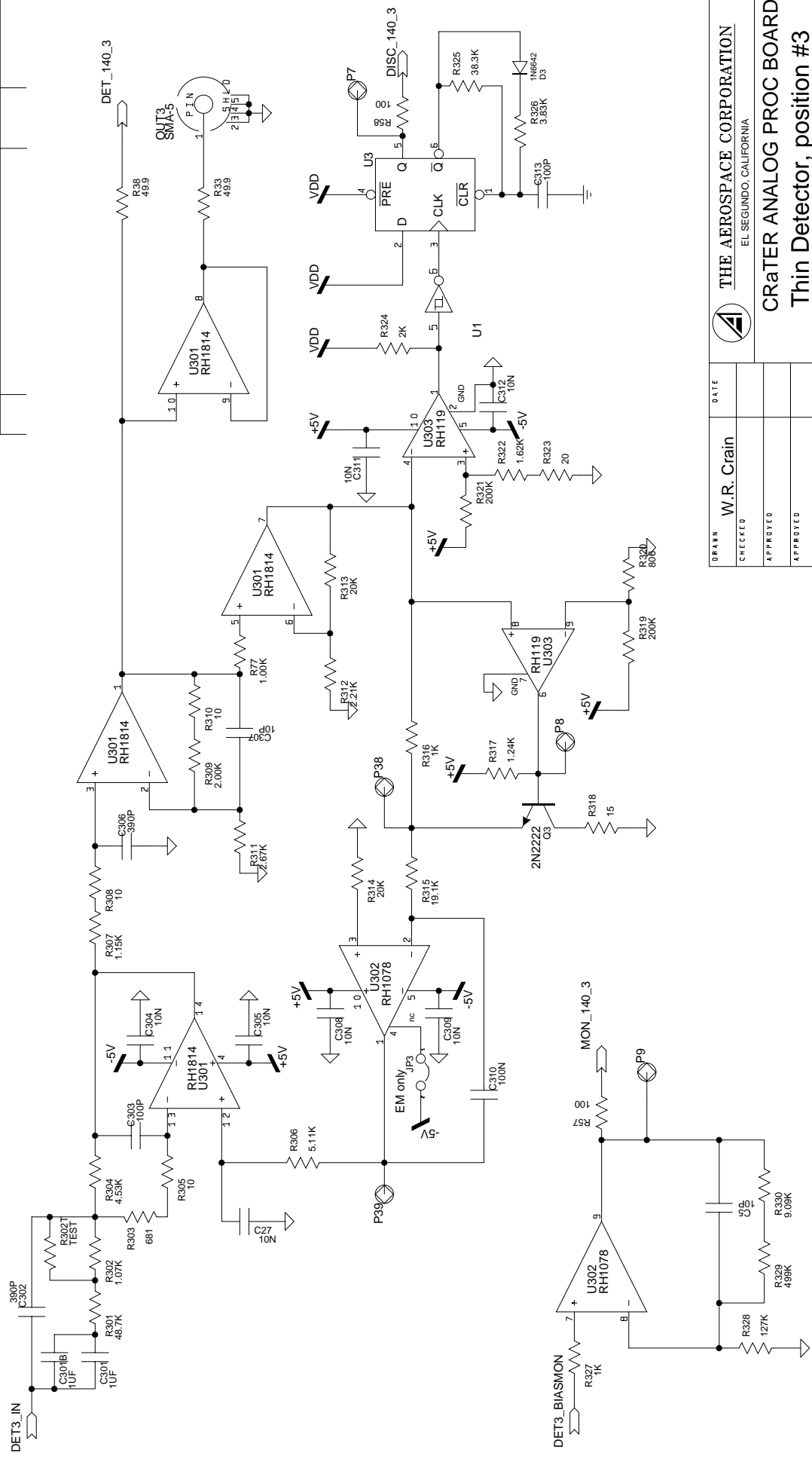
CRATER ANALOG PROC BOARD
Thin Detector, position #1

DATE: _____
DRAWN: W.R. Crain
CHECKED: _____
APPROVED: _____
APPROVED: _____

SIZE: B FSCW_ND: 12782
SCALE: _____
CONTRACT NUMBER: _____
PRINTED: 5-10-2006_16:57
SHEET 1 OF 9

REVISONS

REV	DESCRIPTION	DATE	APPROVED



DRAWN	DATE
W.R. Crain	
CHECKED	
APPROVED	
APPROVED	
CONTRACT NUMBER	

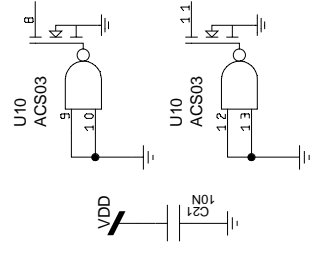
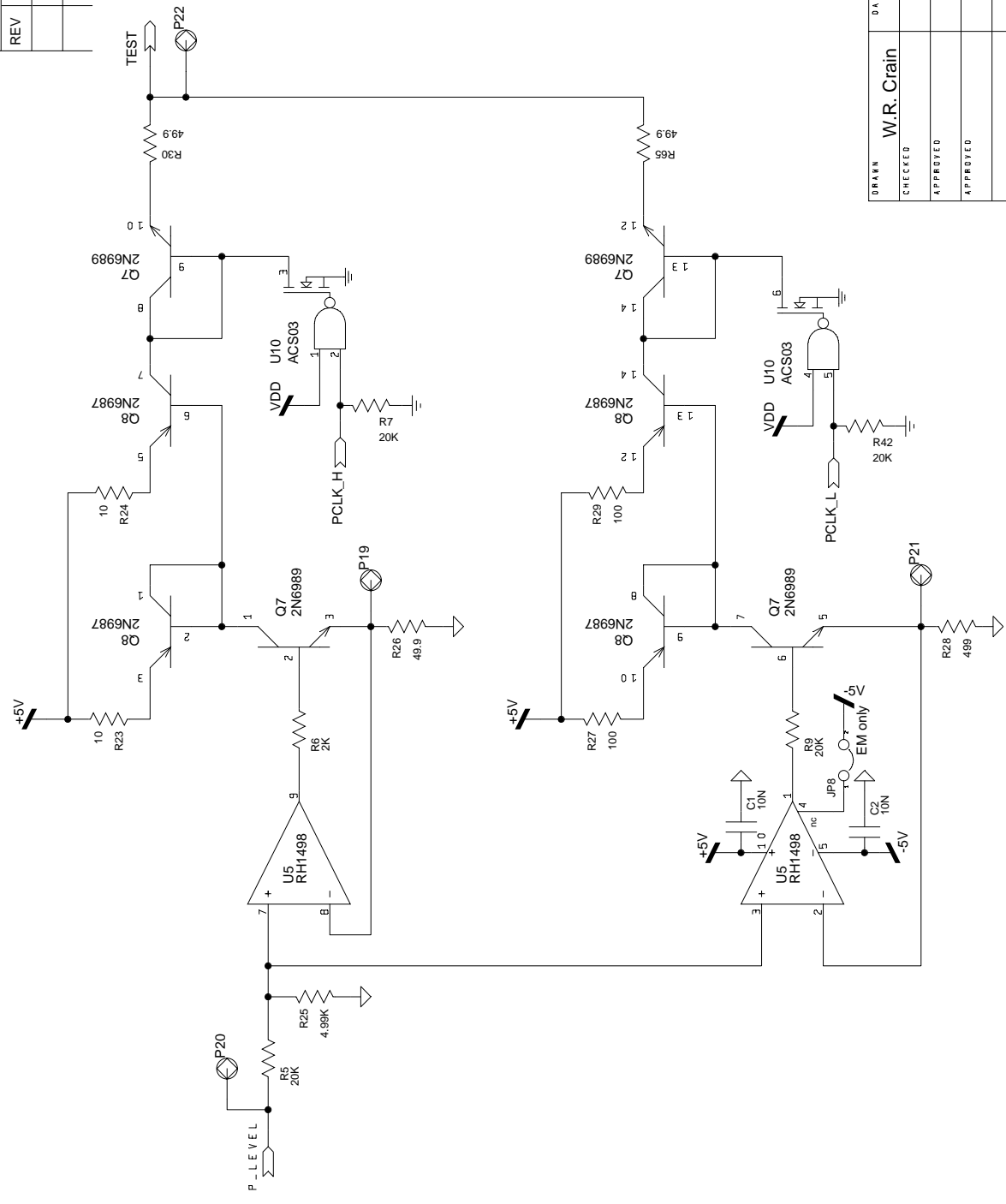
THE AEROSPACE CORPORATION
EL SEGUNDO, CALIFORNIA

CraTER ANALOG PROC BOARD
Thin Detector, position #3

SIZE B FSCW NO 12782 PRINTED 5-10-2006_16:57
SCALE 1 SHEET 3 OF 9

REVISIONS

REV	DESCRIPTION	DATE	APPROVED



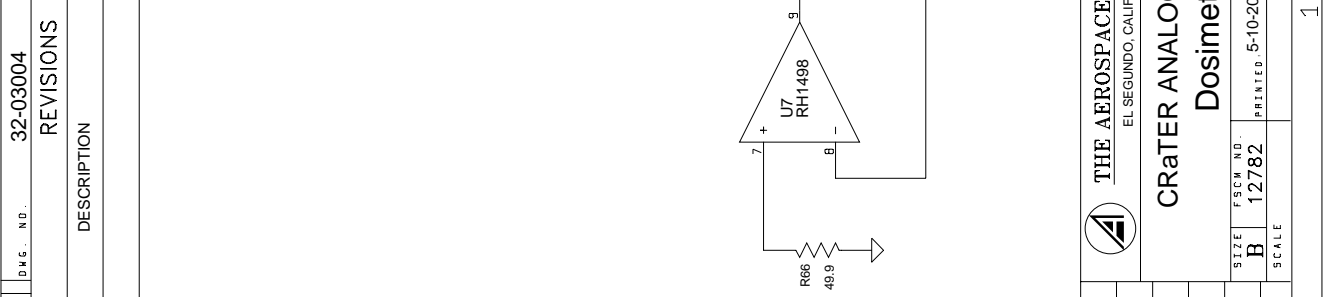
DRAWN	W.R. Crain	DATE	
CHECKED			
APPROVED			
APPROVED			
CONTRACT NUMBER			

THE AEROSPACE CORPORATION
EL SEGUNDO, CALIFORNIA

CRATER ANALOG PROC BOARD
Test Pulser

SIZE	FSCW NO	PRINTED	5-10-2006_16:57
B	12782	SCALE	

REV	DESCRIPTION	DATE	APPROVED



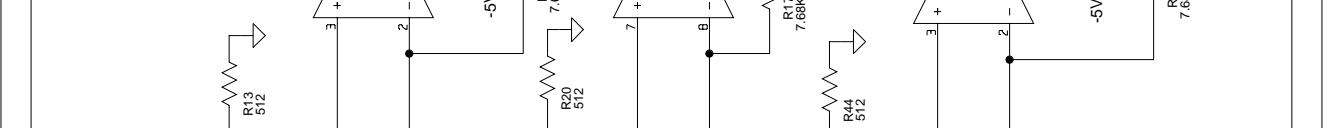
DRAWN	DATE
W.R. Crain	
CHECKED	
APPROVED	
APPROVED	
CONTRACT NUMBER	

THE AEROSPACE CORPORATION
EL SEGUNDO, CALIFORNIA

CRATER ANALOG PROC BOARD
Dosimeter

SIZE	FSCW NO	PRINTED
B	12782	5-10-2006_16:57

SCALE	SHEET	OF
	8	9



DRAWN	DATE
W.R. Crain	
CHECKED	
APPROVED	
APPROVED	
CONTRACT NUMBER	

THE AEROSPACE CORPORATION
EL SEGUNDO, CALIFORNIA

CRATER ANALOG PROC BOARD
Dosimeter

SIZE	FSCW NO	PRINTED
B	12782	5-10-2006_16:57

SCALE	SHEET	OF
	8	9

