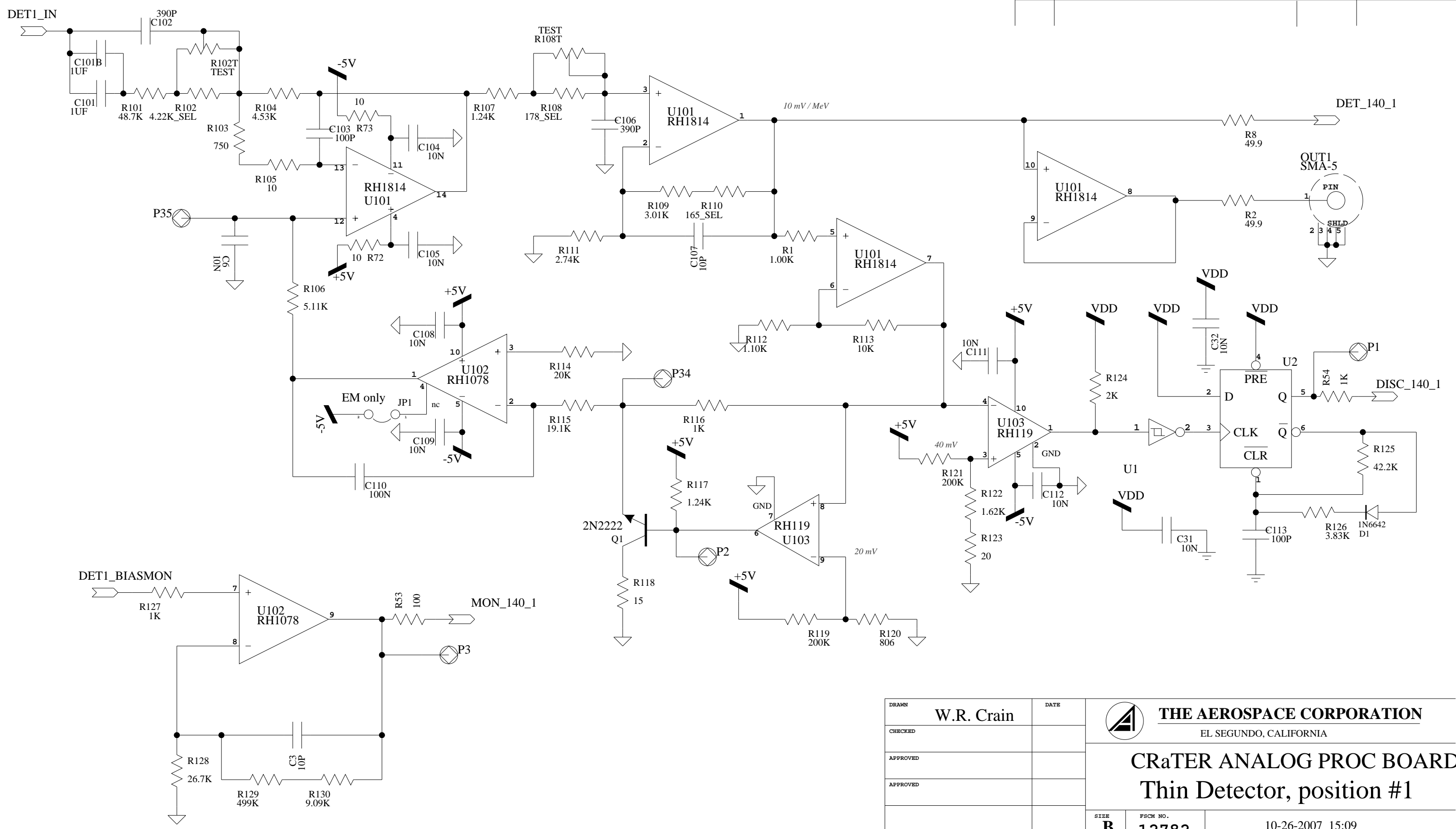


AS BUILT S/N 4

REVISIONS

REV	DESCRIPTION	DATE	APPROVED
5a	As Built S/N 4	10/26/07	



DRAWN	W.R. Crain	DATE	
CHECKED			
APPROVED			
APPROVED			
CONTRACT NUMBER:			

**THE AEROSPACE CORPORATION**  
EL SEGUNDO, CALIFORNIA

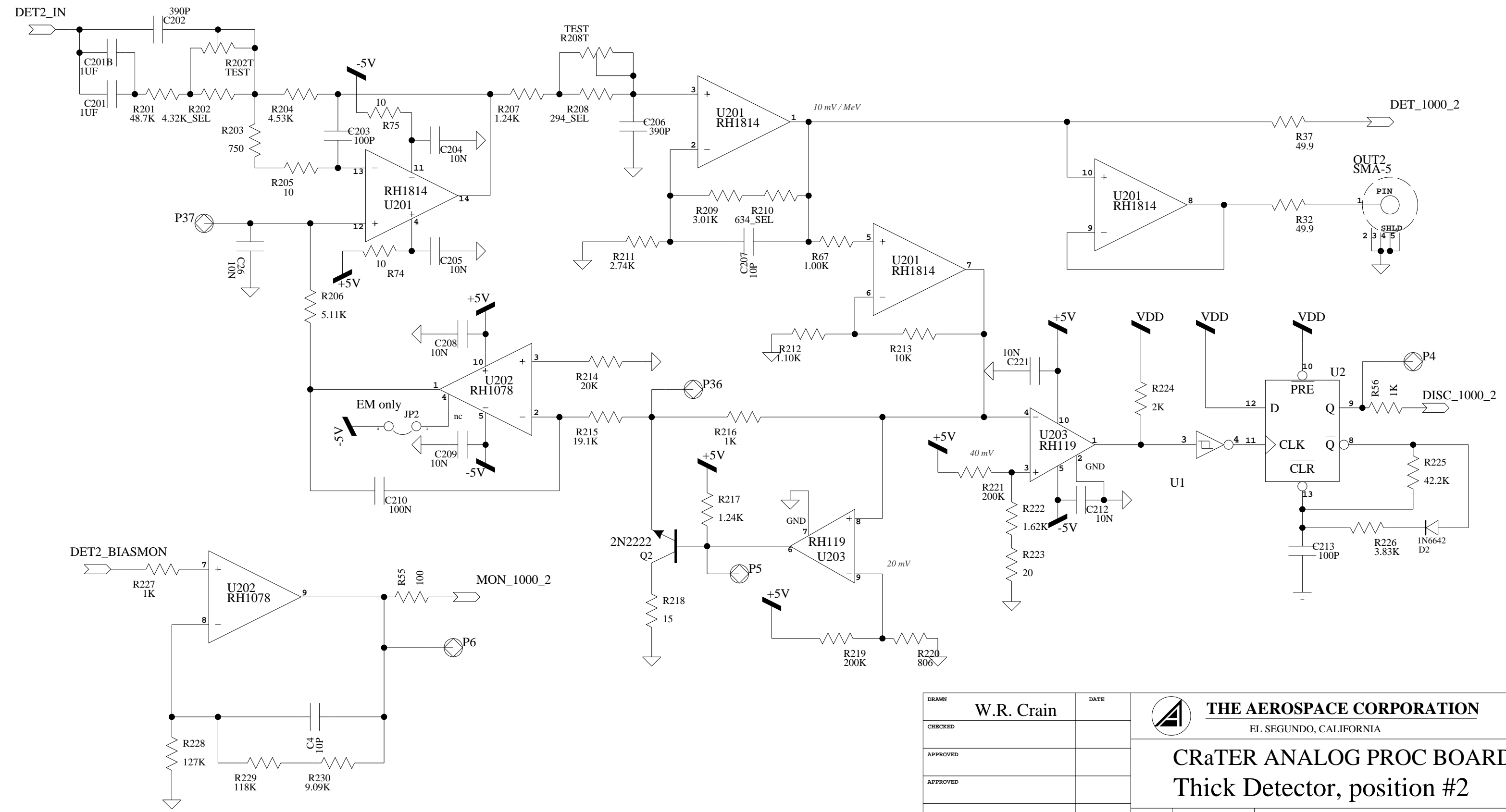
**CRATER ANALOG PROC BOARD**  
**Thin Detector, position #1**

SIZE	FSCM NO.	PRINTED:	10-26-2007_15:09
<b>B</b>	<b>12782</b>		
SCALE		SHEET	1 OF 9

REVISIONS

REV	DESCRIPTION	DATE	APPROVED
5a	As Built S/N 4	10/26/07	

AS BUILT S/N 4



DRAWN	W.R. Crain	DATE	
CHECKED			
APPROVED			
APPROVED			
CONTRACT NUMBER:			


**THE AEROSPACE CORPORATION**  
 EL SEGUNDO, CALIFORNIA

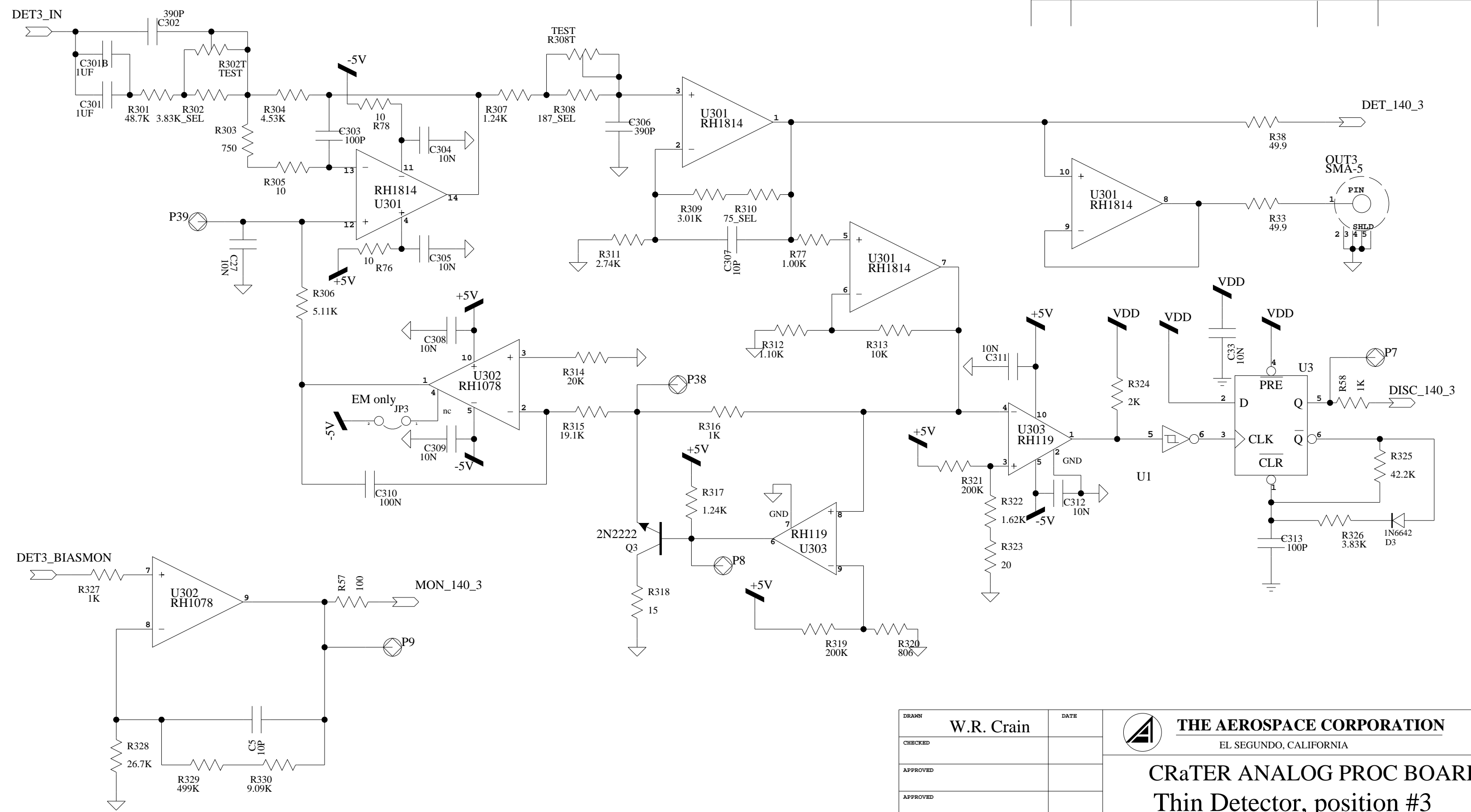
**CRATER ANALOG PROC BOARD A**  
**Thick Detector, position #2**

SIZE	FSCM NO.	PRINTED:	10-26-2007_15:10
<b>B</b>	<b>12782</b>		
SCALE		SHEET	2 OF 9

AS BUILT S/N 4

REVISIONS

REV	DESCRIPTION	DATE	APPROVED
5a	As Built S/N 4	10/26/07	



DRAWN	W.R. Crain	DATE	
CHECKED			
APPROVED			
APPROVED			
CONTRACT NUMBER:			


**THE AEROSPACE CORPORATION**  
 EL SEGUNDO, CALIFORNIA

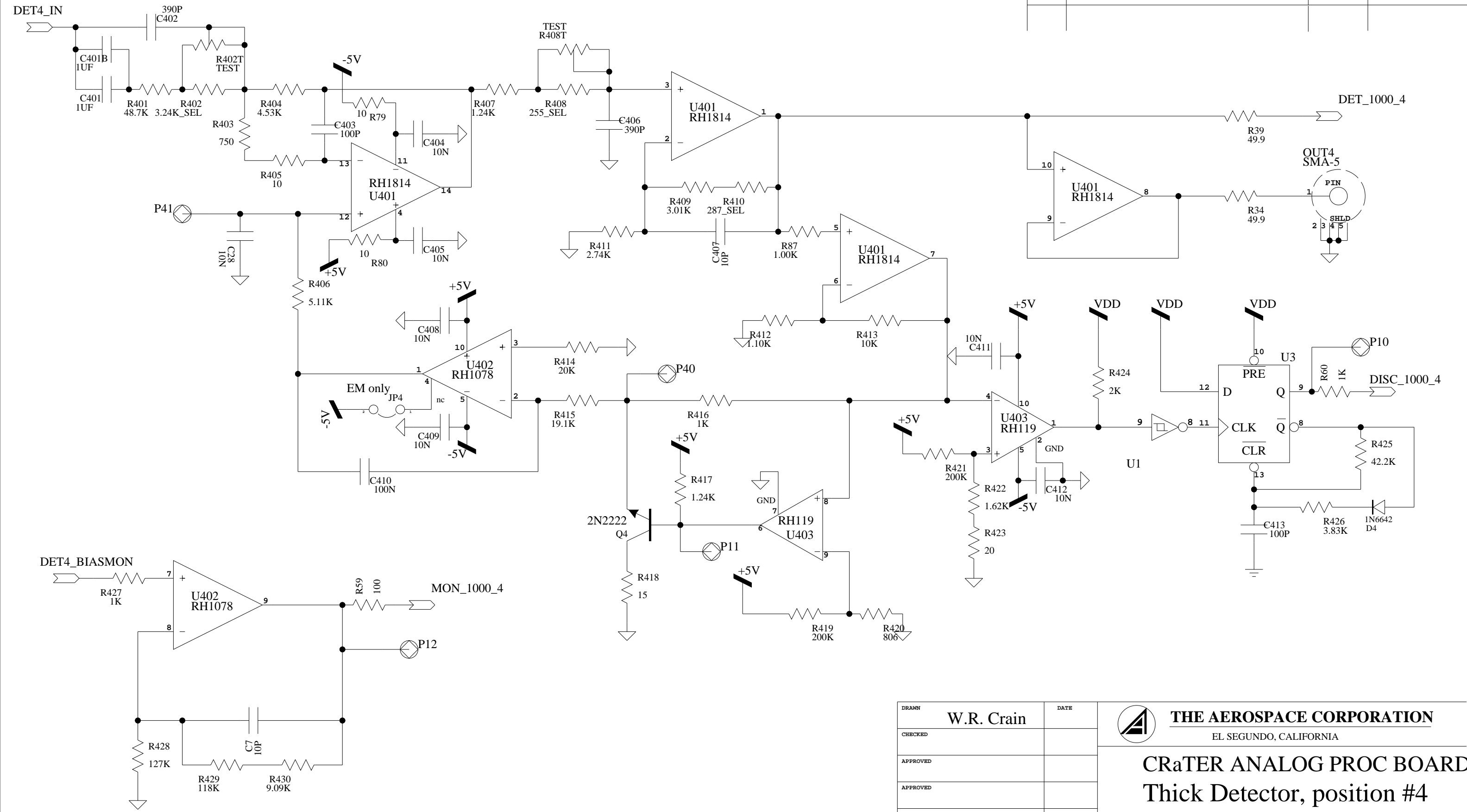
**CRATER ANALOG PROC BOARD**  
**Thin Detector, position #3**

SIZE	FSCM NO.	PRINTED:	10-26-2007_15:10
<b>B</b>	<b>12782</b>		
SCALE		SHEET	3 OF 9

AS BUILT S/N 4

REVISIONS

REV	DESCRIPTION	DATE	APPROVED
5a	As Built S/N 4	10/26/07	



DRAWN	W.R. Crain	DATE	
CHECKED			
APPROVED			
APPROVED			
CONTRACT NUMBER:			


**THE AEROSPACE CORPORATION**  
 EL SEGUNDO, CALIFORNIA

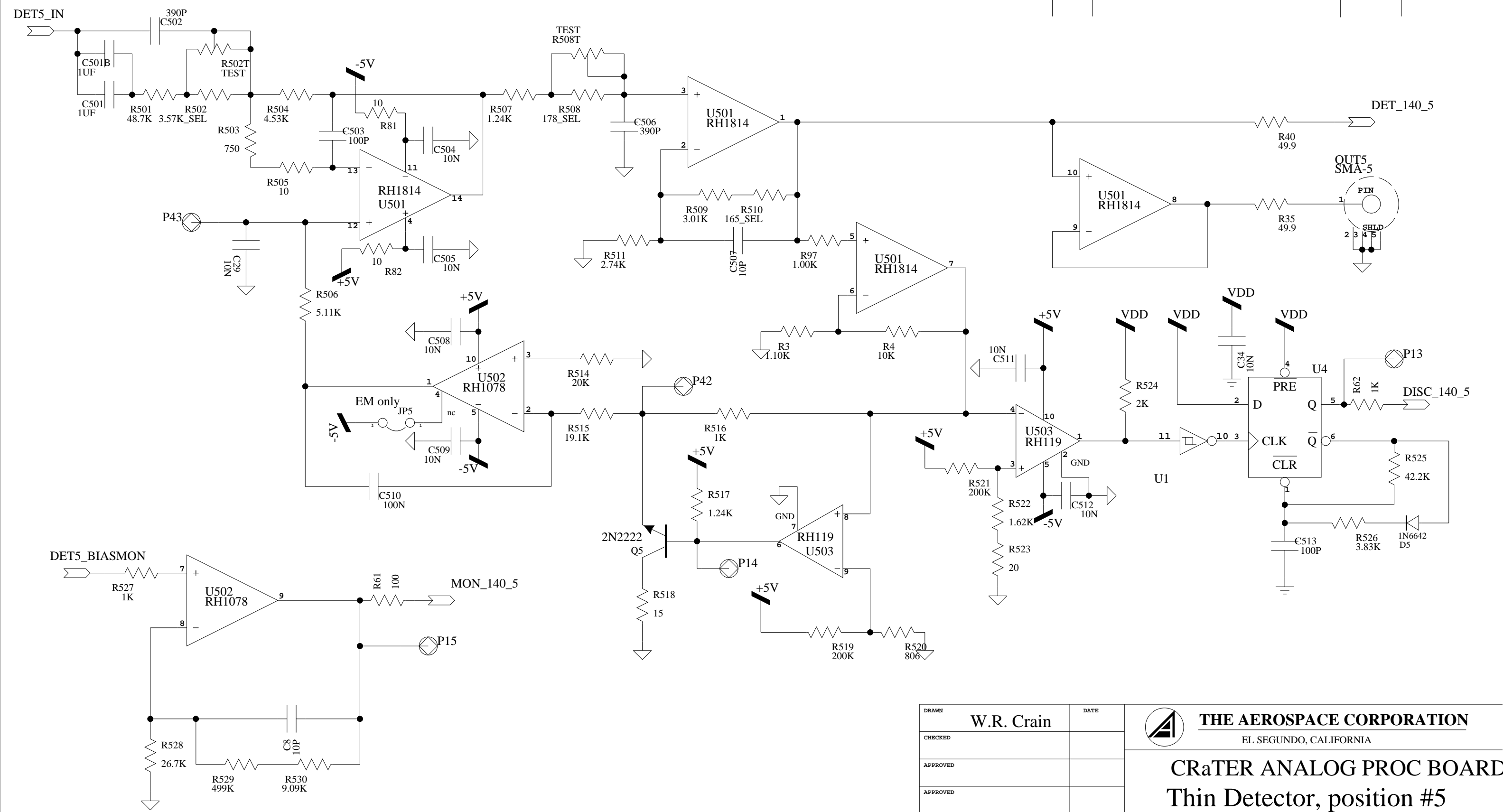
**CRATER ANALOG PROC BOARD**  
**Thick Detector, position #4**

SIZE	FSCM NO.	PRINTED:	10-26-2007_15:10
<b>B</b>	<b>12782</b>		
SCALE		SHEET	4 OF 9

AS BUILT S/N 4

REVISIONS

REV	DESCRIPTION	DATE	APPROVED
5a	As Built S/N 4	10/26/07	



DRAWN	W.R. Crain	DATE	
CHECKED			
APPROVED			
APPROVED			
CONTRACT NUMBER:			

**THE AEROSPACE CORPORATION**  
EL SEGUNDO, CALIFORNIA

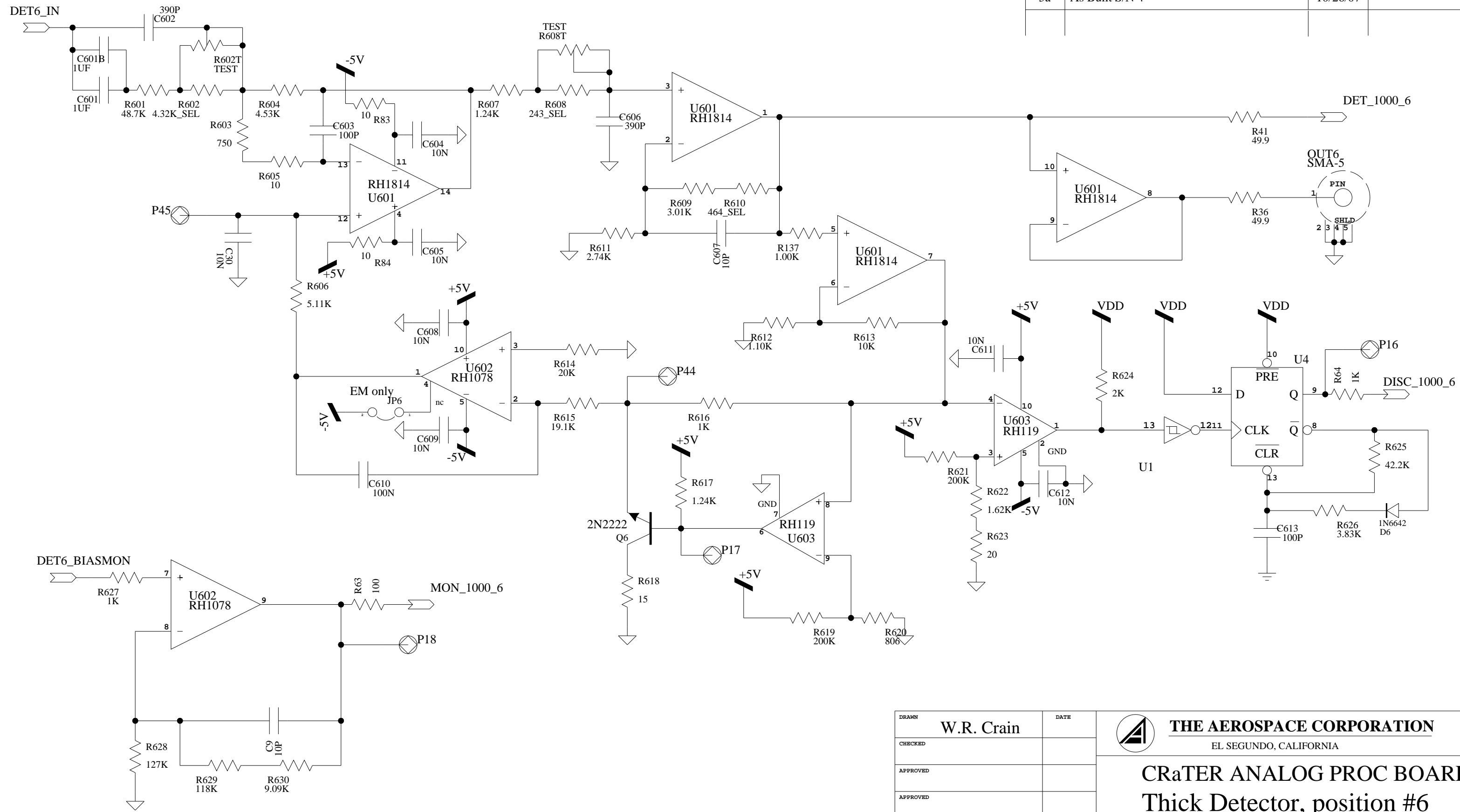
**CRATER ANALOG PROC BOARD**  
**Thin Detector, position #5**

SIZE	FSCM NO.	PRINTED:	10-26-2007_15:10
<b>B</b>	<b>12782</b>		
SCALE		SHEET	5 OF 9

AS BUILT S/N 4

REVISIONS

REV	DESCRIPTION	DATE	APPROVED
5a	As Built S/N 4	10/26/07	



DRAWN	W.R. Crain	DATE	
CHECKED			
APPROVED			
APPROVED			
CONTRACT NUMBER:			


**THE AEROSPACE CORPORATION**  
 EL SEGUNDO, CALIFORNIA

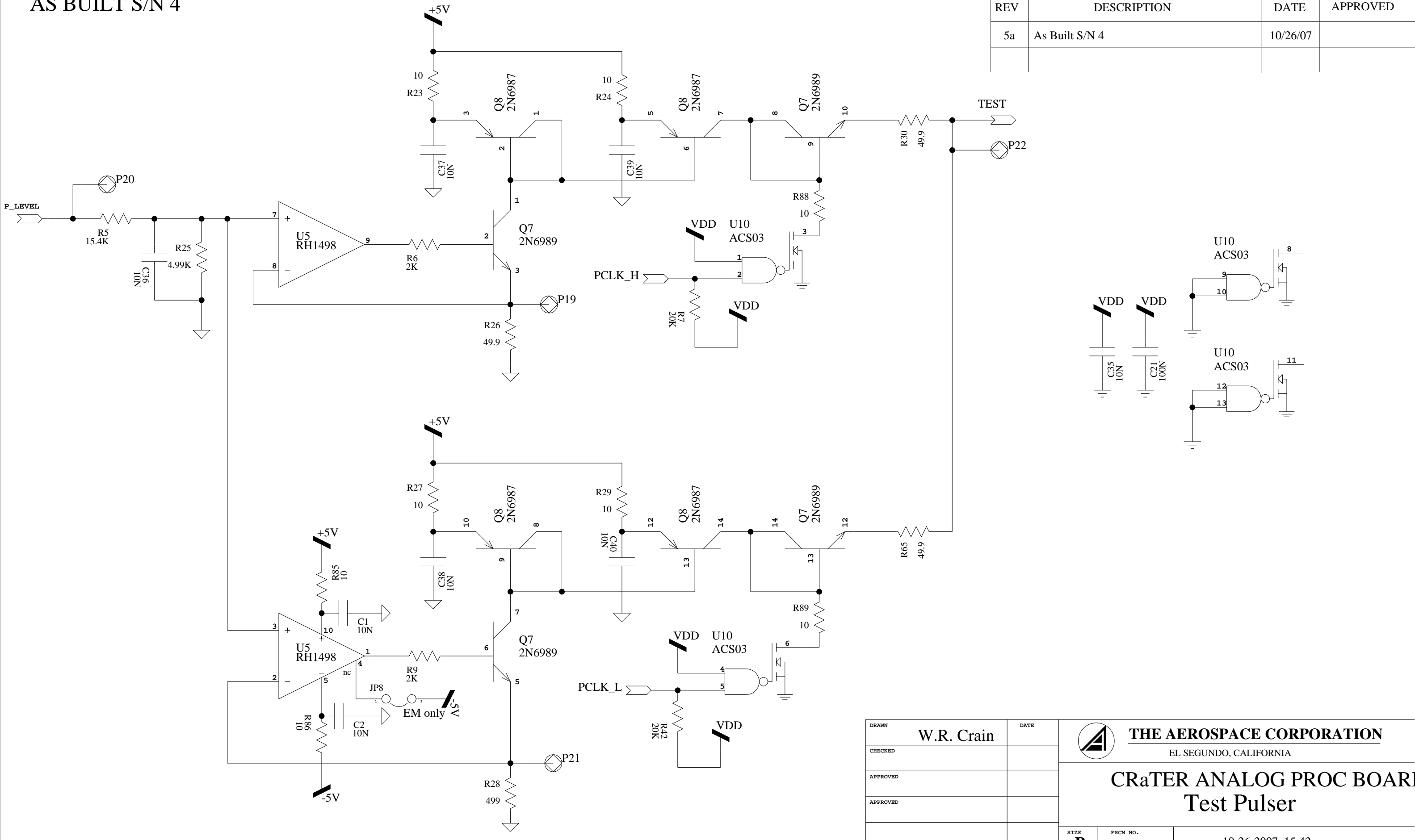
**CRATER ANALOG PROC BOARD**  
**Thick Detector, position #6**

SIZE	FSCM NO.	PRINTED:	10-26-2007_15:10
<b>B</b>	<b>12782</b>		
SCALE		SHEET	6 OF 9

AS BUILT S/N 4

REVISIONS

REV	DESCRIPTION	DATE	APPROVED
5a	As Built S/N 4	10/26/07	



DRAWN	W.R. Crain	DATE	
CHECKED			
APPROVED			
APPROVED			
CONTRACT NUMBER:			


**THE AEROSPACE CORPORATION**  
 EL SEGUNDO, CALIFORNIA

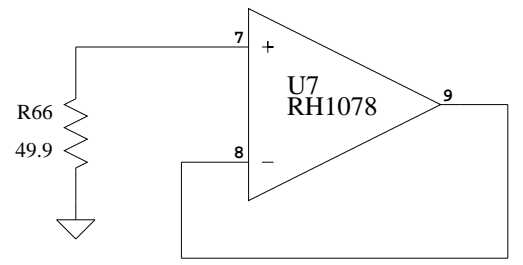
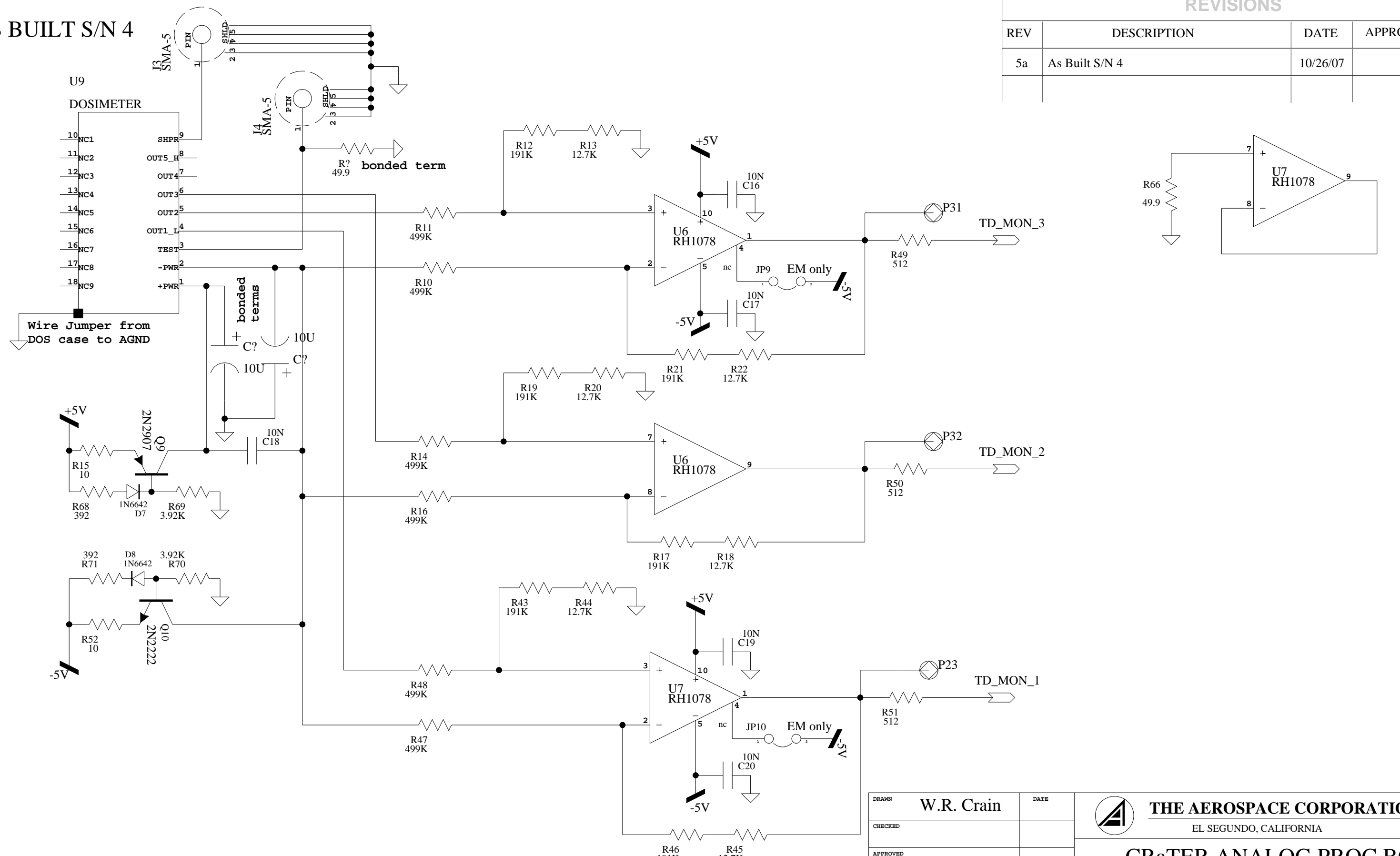
**CRATER ANALOG PROC BOARD**  
**Test Pulser**

SIZE	FSCM NO.	PRINTED:	10-26-2007_15:42
<b>B</b>	<b>12782</b>		
SCALE		SHEET	7 OF 9

REVISIONS

REV	DESCRIPTION	DATE	APPROVED
5a	As Built S/N 4	10/26/07	

AS BUILT S/N 4



DRAWN	W.R. Crain	DATE	
CHECKED			
APPROVED			
APPROVED			
CONTRACT NUMBER:			

**THE AEROSPACE CORPORATION**  
EL SEGUNDO, CALIFORNIA

**CRATER ANALOG PROC BOARD**  
**Dosimeter**

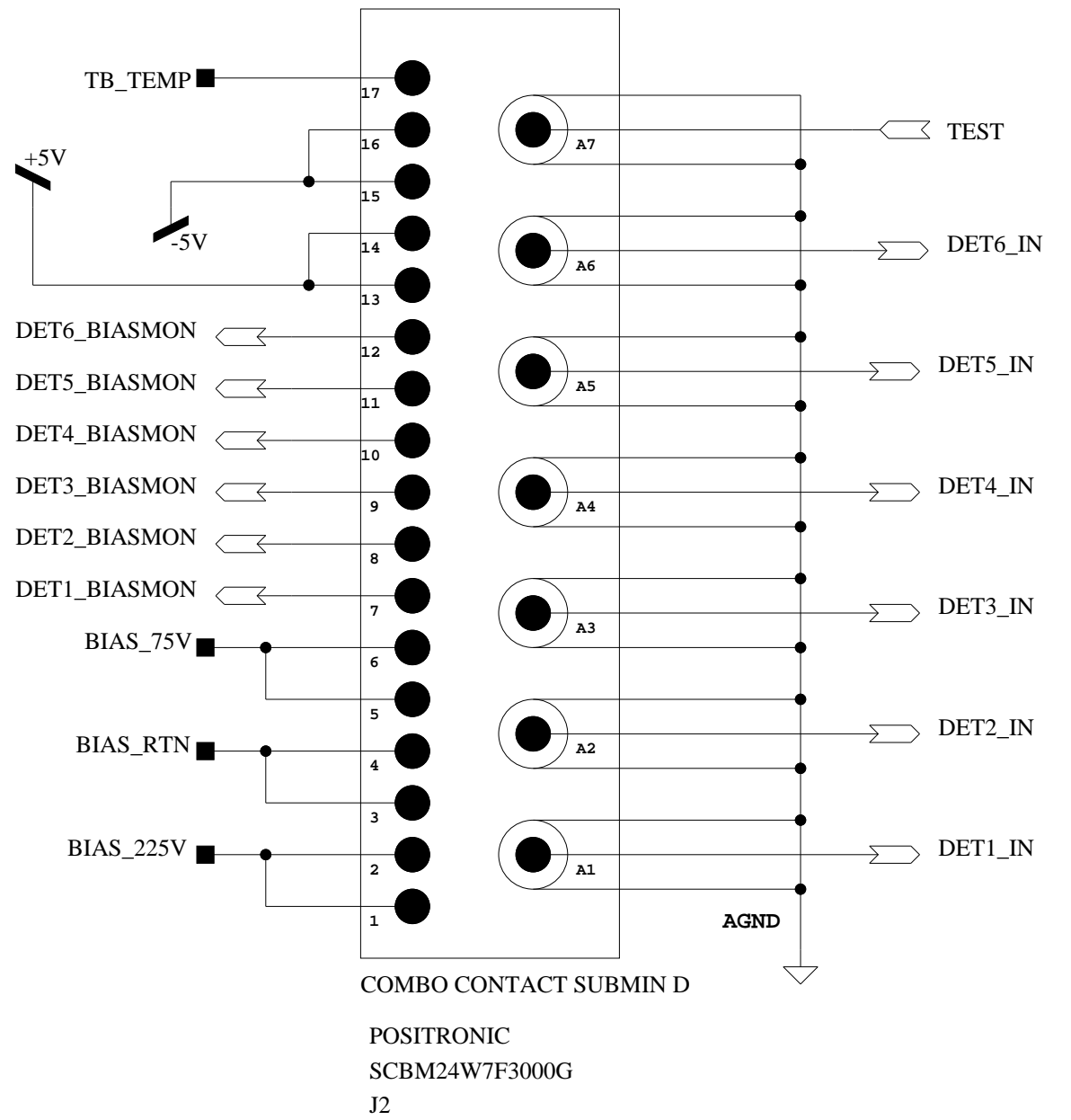
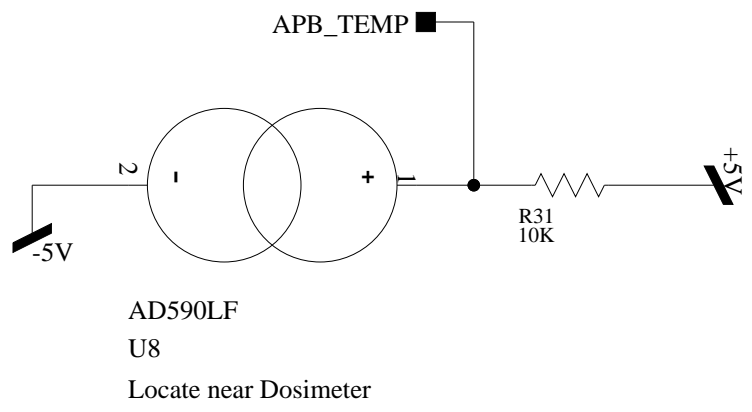
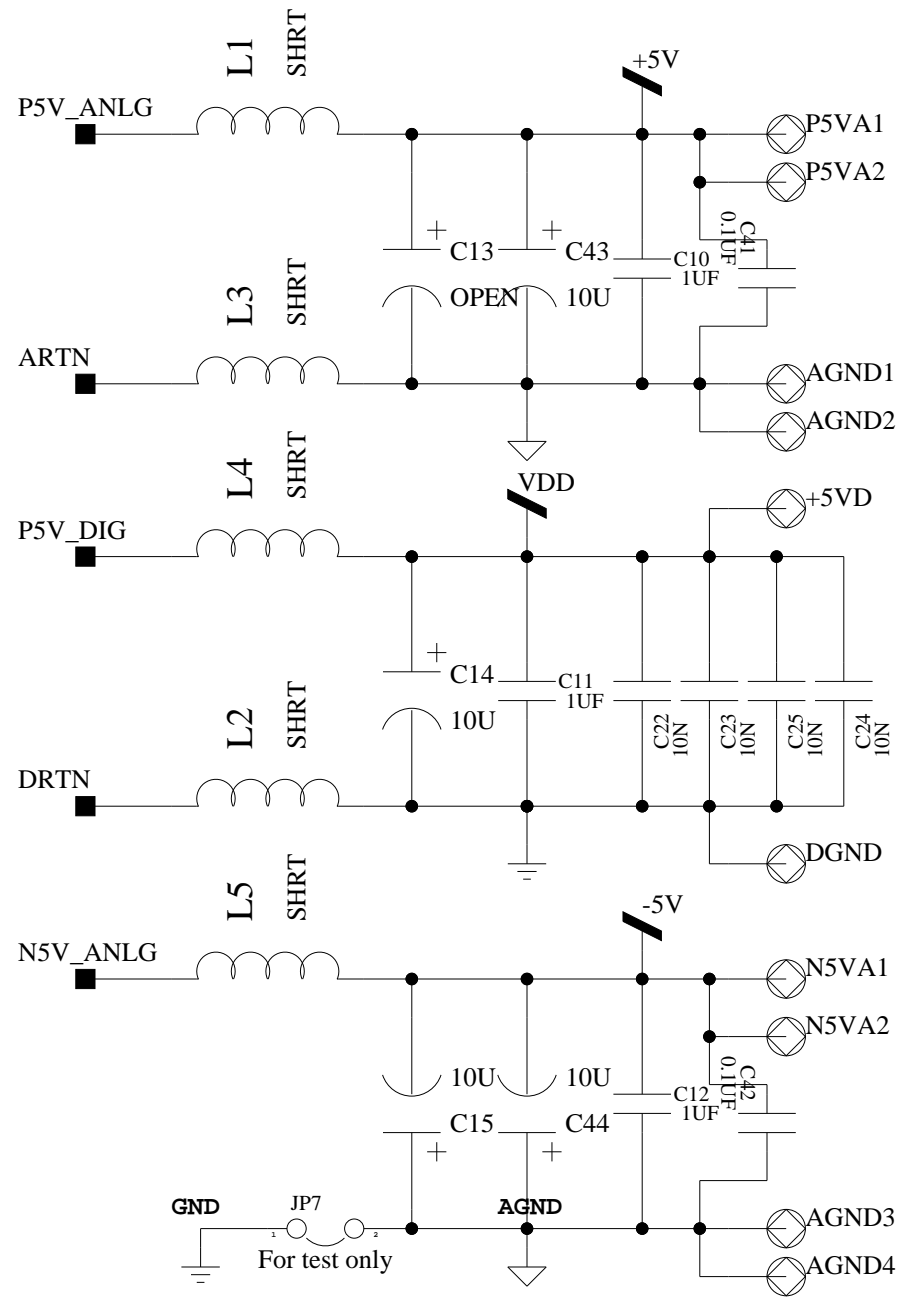
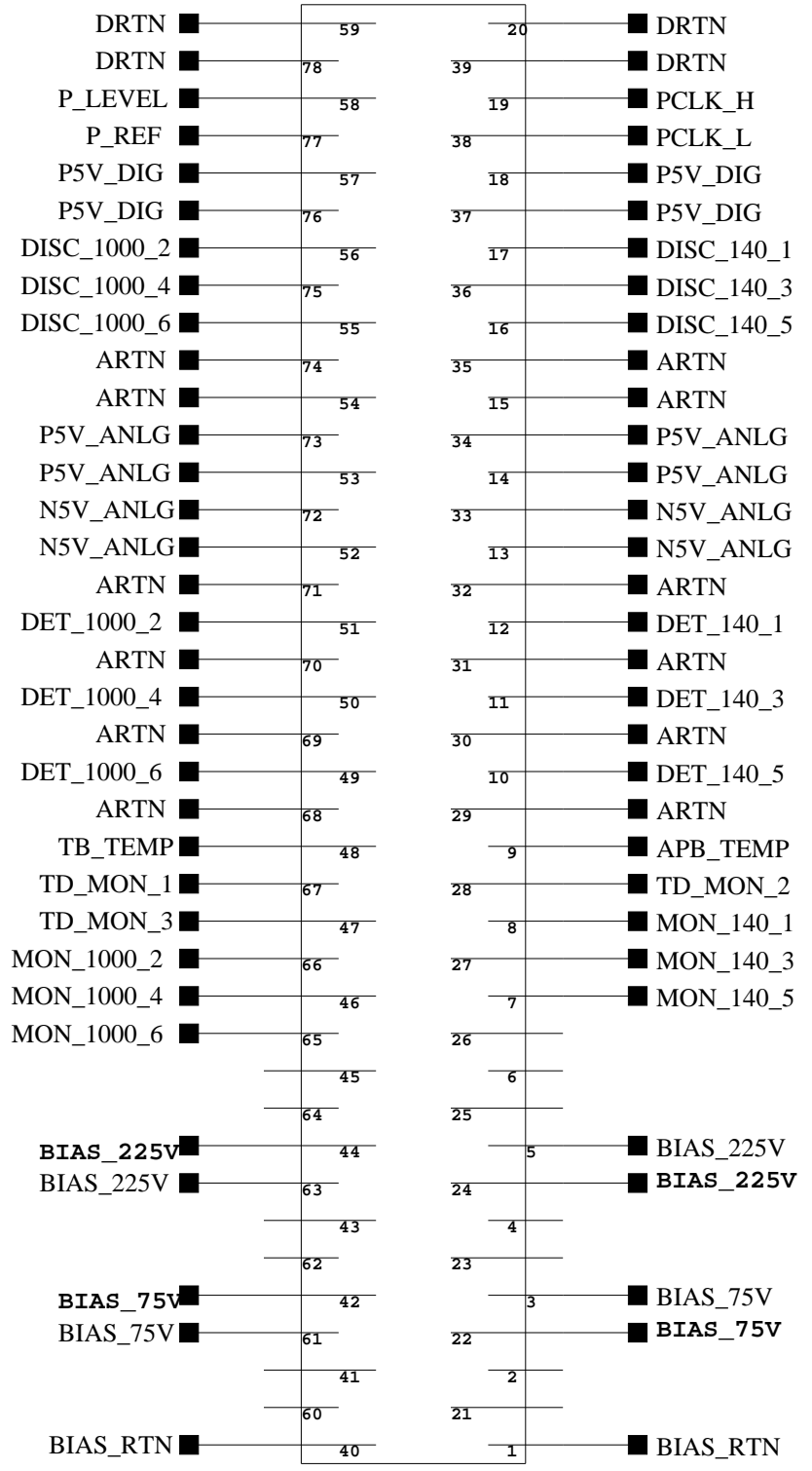
SIZE	B	FSCM NO.	12782	PRINTED:	10-26-2007_15:11
SCALE				SHEET	8 OF 9



REVISIONS

REV	DESCRIPTION	DATE	APPROVED
5a	As Built S/N 4	10/26/07	

AS BUILT S/N 4  
 SDD78M4000G  
 POSITRONIC  
 D-SUBMINIATURE 78 PIN



DRAWN	W.R. Crain	DATE	
CHECKED			
APPROVED			
APPROVED			
CONTRACT NUMBER:			

**THE AEROSPACE CORPORATION**  
 EL SEGUNDO, CALIFORNIA

**CRATER ANALOG PROC BOARD**  
**Interface**

SIZE	B	FSCM NO.	12782	PRINTED:	10-26-2007_15:11
SCALE				SHEET	9 OF 9