

BC HFG

% 89BC HFG 7 9BHF C: A 5GG

& B & B @HDI F: 9: HHB: @C 75HC B

" A B A I A K 5 @H: 7? B9GG 6" S"

G: 5898 5F95 89BC HFG H: 9D @B9C: H: 9A C I BHB: G: F: 57 9' G: F: 57 9G H: 5H

A 5797 C B H 57 H K H: G: B: 7 5B H @ 58 K @ 69 @ 75 @ 98 5 F C I B 8 A C I BHB: : @B; 9'

) 9 @ 7 H F 7 5 @ 6 C @ 5 H C B A 5 H F 5 @ 6 " S S " H: 7 ? ? 5 D H C B C B 96 C L G 8 9

* < C I G B: A 5 H F 5 @ 6 5 @ A B I A " * S " H F

+ A 5 H F 5 @: B G: ' G A @ 7 !)) (% 7 @ G G "

, 5 H 6 7 < A 9 B H 6 C @ G G: 5 @ 6 9 B 5 G %) & 7 S * I, 5 B 8 H C F E I 9 8 H C % ' B I @ G

- < 5 F 8 K 5 F 9 G: 5 @ 6 9 B 5 B 9 3 B 1 7 C B F C @ 9 8 9 B J F C B A 9 B H 5 H 5 @ H A 9 C 7 B 7 @ 8 B: ' 6 I H B C H @ A # 9 8 H C.

FC I B 8 9 8 K C F ? 5 F 9 5 G D F C H 7 H J 9 7 @ C H: B: 2 5 B 8 9 3 B 1 7 C B F C @ 9 8 D 5 7 7 5: B;

% 8 F M B F C: 9 B D I F: 9 F 9 E I F 9 8 K 9 9 @ M: C F % S I A B I H 9 A B A I A

A5GG: 1' & + S + @GG

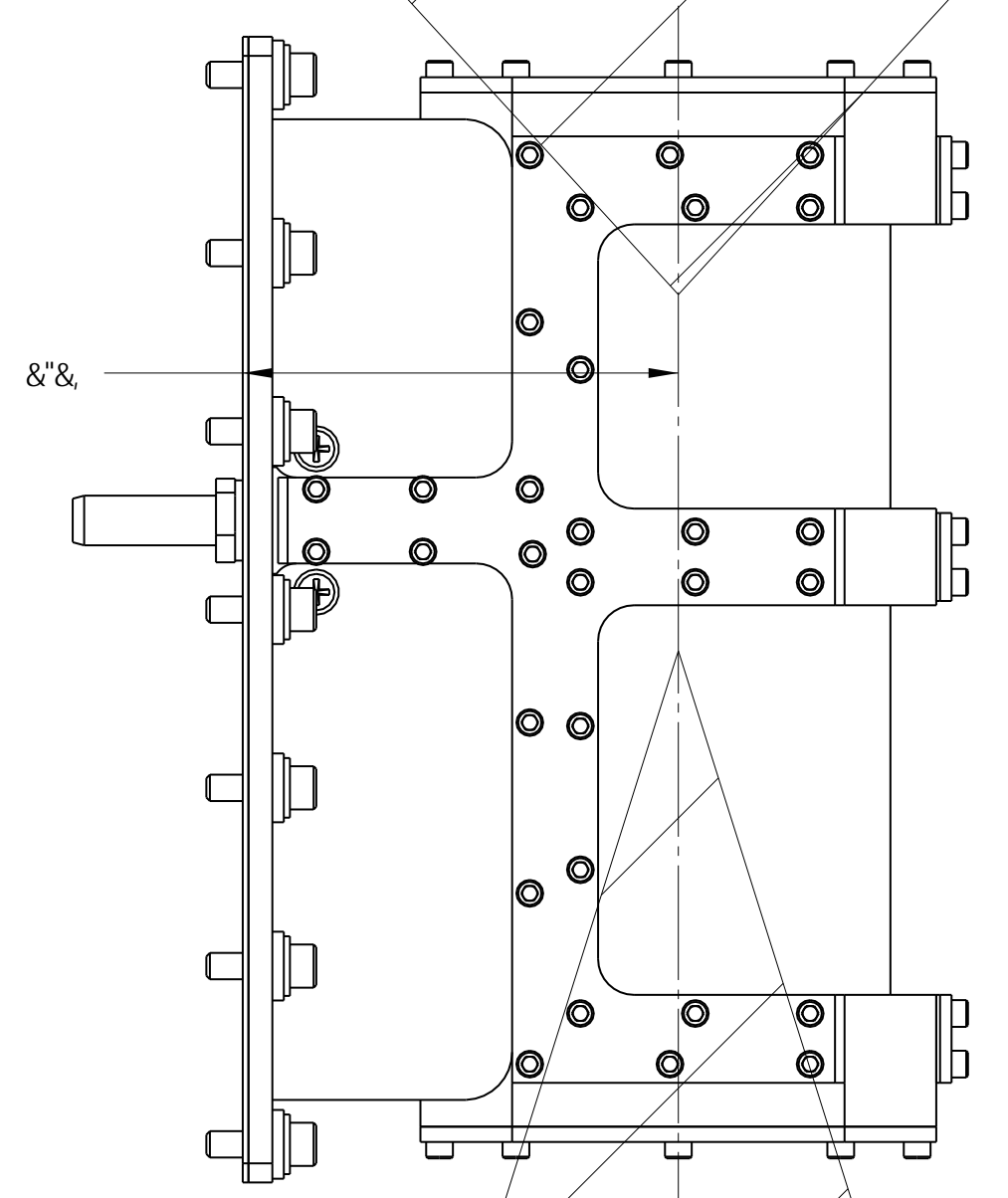
ACA9BHC: C = B9FH-5 f @ G I = BR & L

@ 1' 1' % (" + @ m 1' 1' % + @ n' 1' S" S

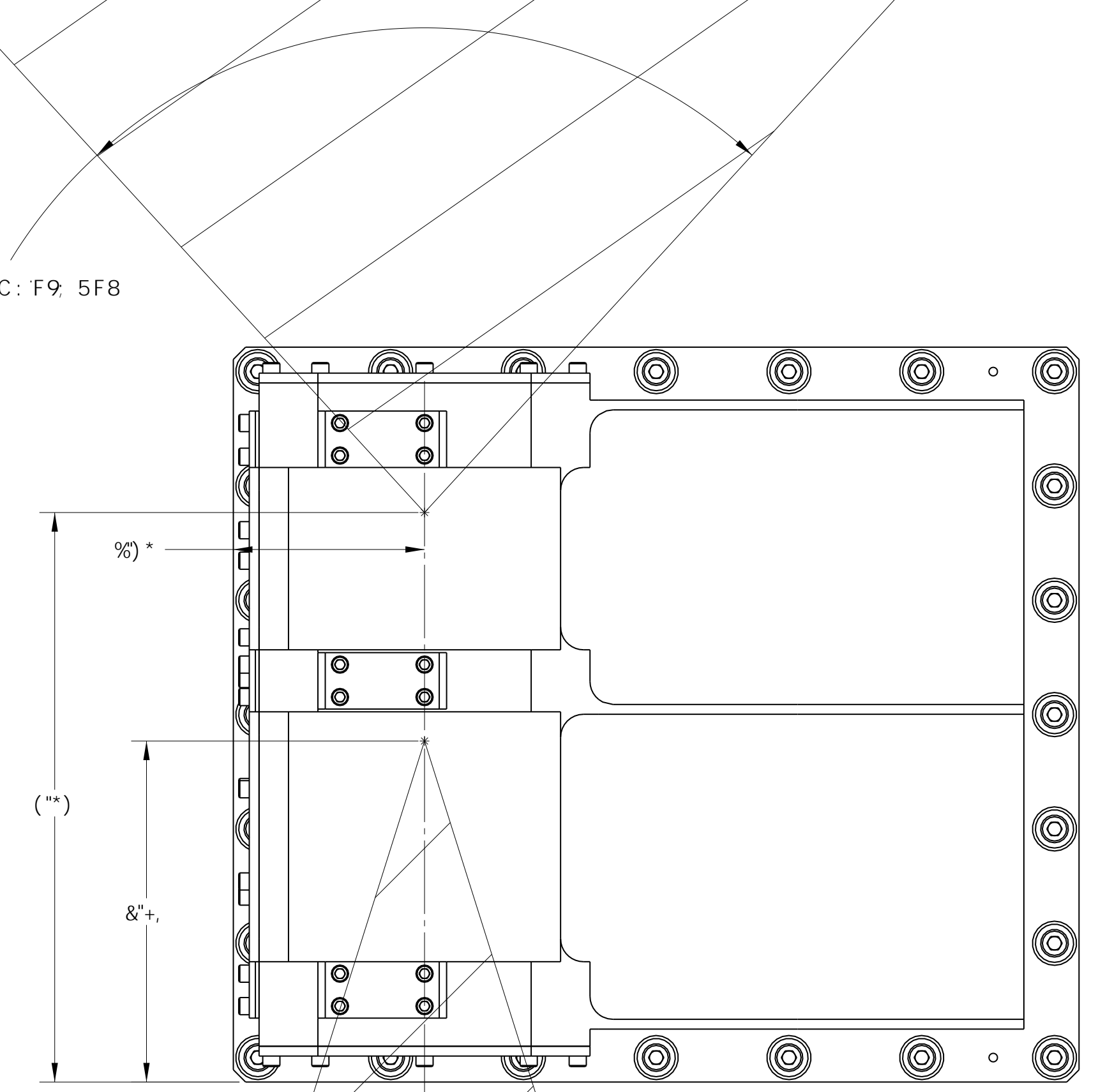
@ n' 1' 1' % + @ m 1' 1' % * @ n' 1' S" S

@ n' 1' S" S @ m 1' S" S @ n' 1' S" S

THE AEROSPACE CORPORATION	
7 FUHF H99G7 C D9 A - 8	
REV: 8	REV: 5
DATE: 1/1/00	DATE: 1/1/00
BY: J. B. C.	BY: J. B. C.
CHECKED: J. B. C.	CHECKED: J. B. C.
APPROVED: J. B. C.	APPROVED: J. B. C.



ZSS: 908 C: F9, 5F8
 S1%



ZSS: 908 C: F9, 5F8
 S1%