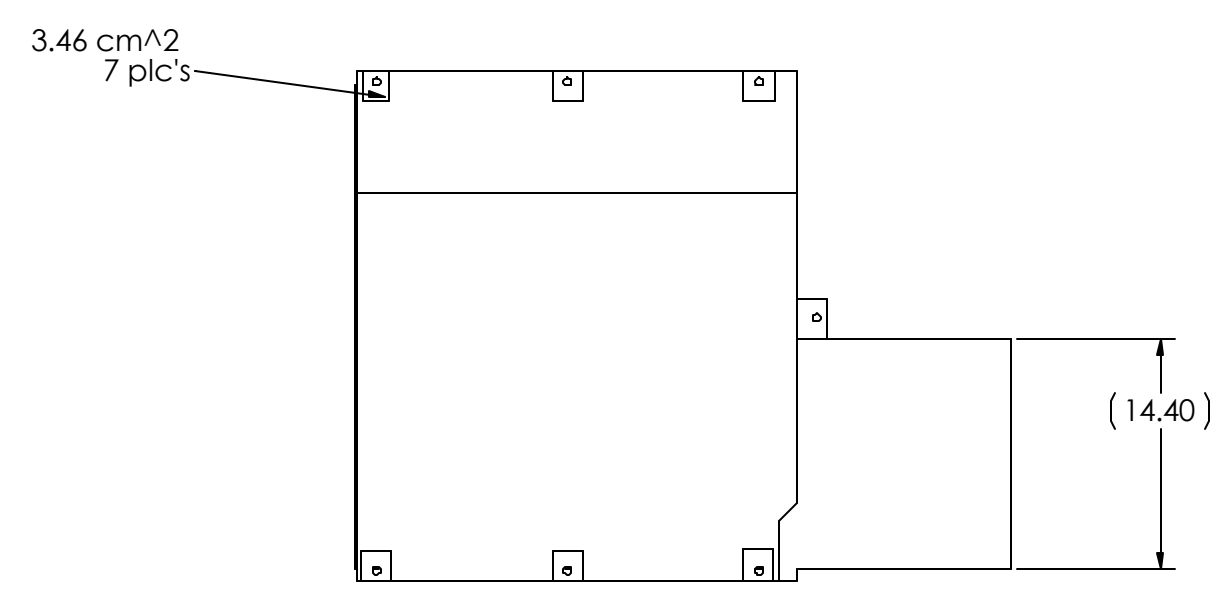
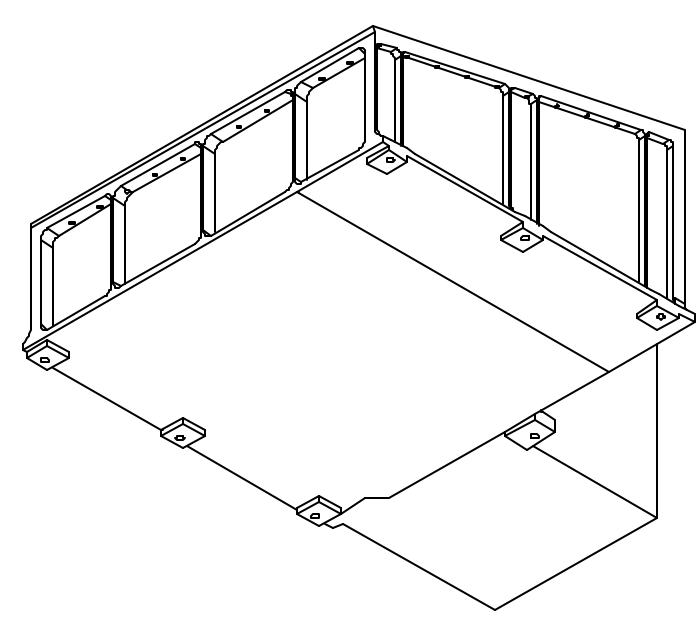
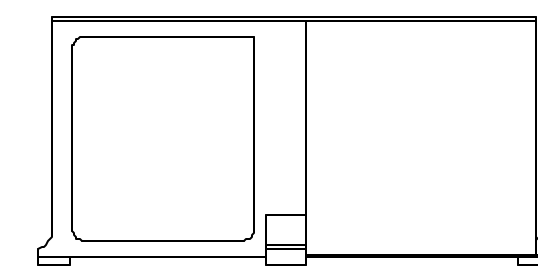
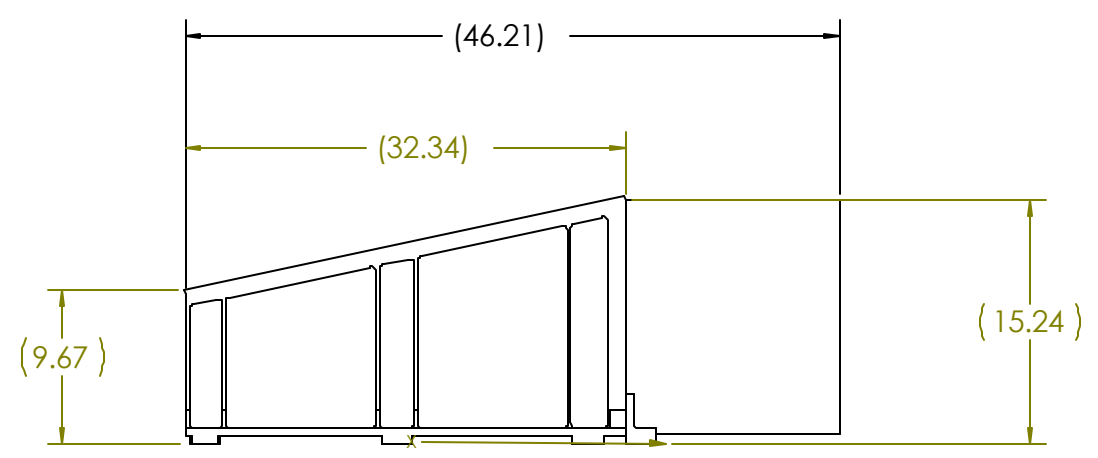
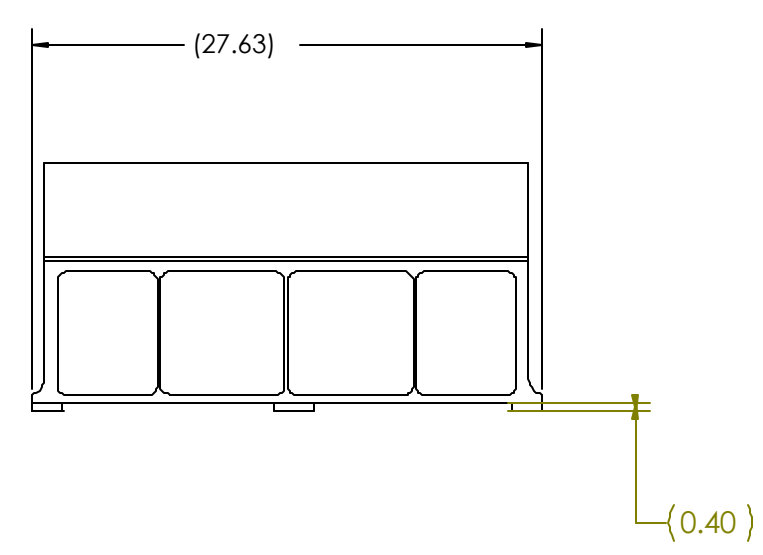
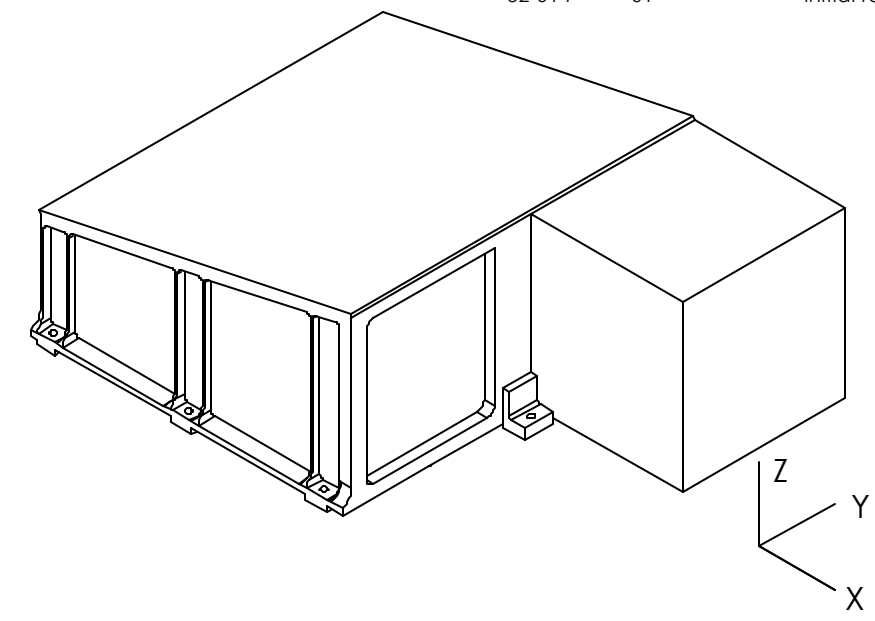


REVISIONS				
ECO	REV.	DESCRIPTION	DATE	APPROVED
32-014	01	initial release		



- NOTES:
1. Surface finish is conversion coat per MIL-C-5541, Class 3.
  2. Seven mounting feet as shown.
  3. Power: Current Best Estimate 4.6 W  
Current Max. Estimate 6.7 W
  4. Dimensions are in cm.

**PROPRIETARY AND CONFIDENTIAL**  
 THE INFORMATION CONTAINED IN THIS DRAWING IS THE SOLE PROPERTY OF HINSEET COMPANY. NAME HEREIN, AND REPRODUCTION IN PART OR AS A WHOLE WITHOUT THE WRITTEN PERMISSION OF HINSEET COMPANY IS PROHIBITED.

UNLESS OTHERWISE SPECIFIED:		NAME	DATE
DIMENSIONS ARE IN CM	DRAWN		
TOLERANCES:	CHECKED		
FRACTIONAL: $\frac{1}{16}$	ENG. APPR.		
ANGULAR: MAX $\pm$ BEND $\pm$	MFG. APPR.		
TWO PLACE DECIMAL: $\pm$	S.A.		
THREE PLACE DECIMAL: $\pm$	COMMENTS:		
INTERPRET GEOMETRIC TOLERANCING PER:			
MATERIAL:			
NEUTRAL	USED ON		
APPLICATION			

Massachusetts Institute of Technology  
 TITLE:  
**THERMAL ICD OUTLINE DRAWING**  
 SIZE: **D** DWG. NO: **32-02004.01** REV: **01**  
 SCALE: 1:5 WEIGHT: SHEET 1 OF 1

D 02004.01\_02