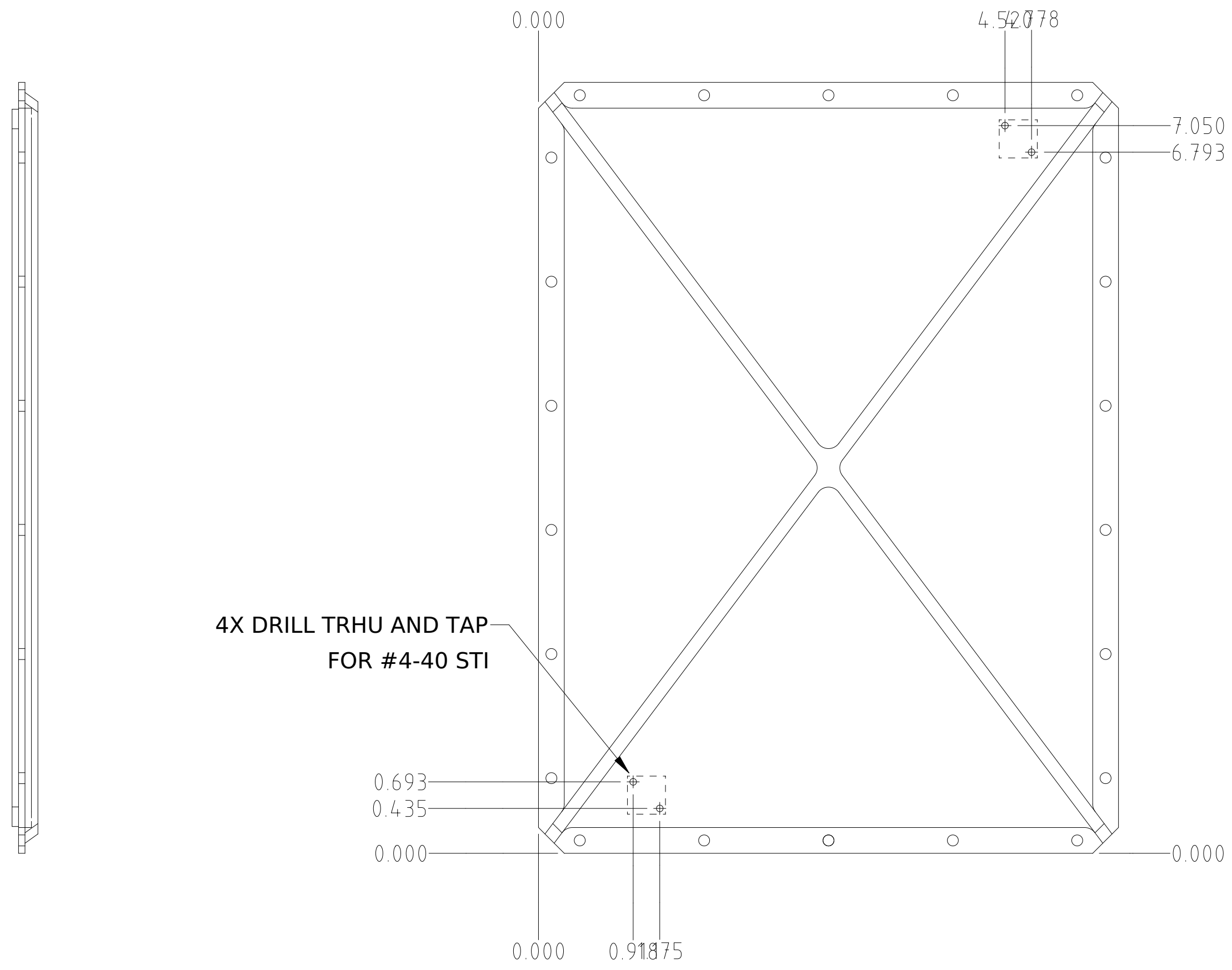



REVISIONS					
REV.	ECO NO.	DESCRIPTION	CHECKED	APPROVED	DATE
01	36-838	INITIAL RELEASE			



NOTES:

1. CLEAN IAW 36-02017 PRIOR TO INSTALLING INSERTS.
2. MODIFY 36-30101 ENGINEERING UNIT PANEL.

		UNLESS OTHERWISE SPECIFIED DIMENSIONS ARE IN INCHES TOLERANCE: ANGLES ± 1° 3 PLACE DECIMALS ± .005 2 PLACE DECIMALS ± .01	NAME	DATE	 MASSACHUSETTS INSTITUTE OF TECHNOLOGY CENTER FOR SPACE RESEARCH CAMBRIDGE, MA 02139			
			DRAWN F. KASPARIAN	1/8/97				
		MATERIAL	CHECKED		SUPPORT STRUCTURE -X EU MODIFICATIONS			
			APPROVED					
		NEXT ASSEMBLY	RELEASED		SIZE			
			USED ON		CAGE CODE	REV.		
		APPLICATION	WEIGHT		80230	DWG. NO.	36-60228	01
					SCALE	1/2	SHEET	1 OF 1