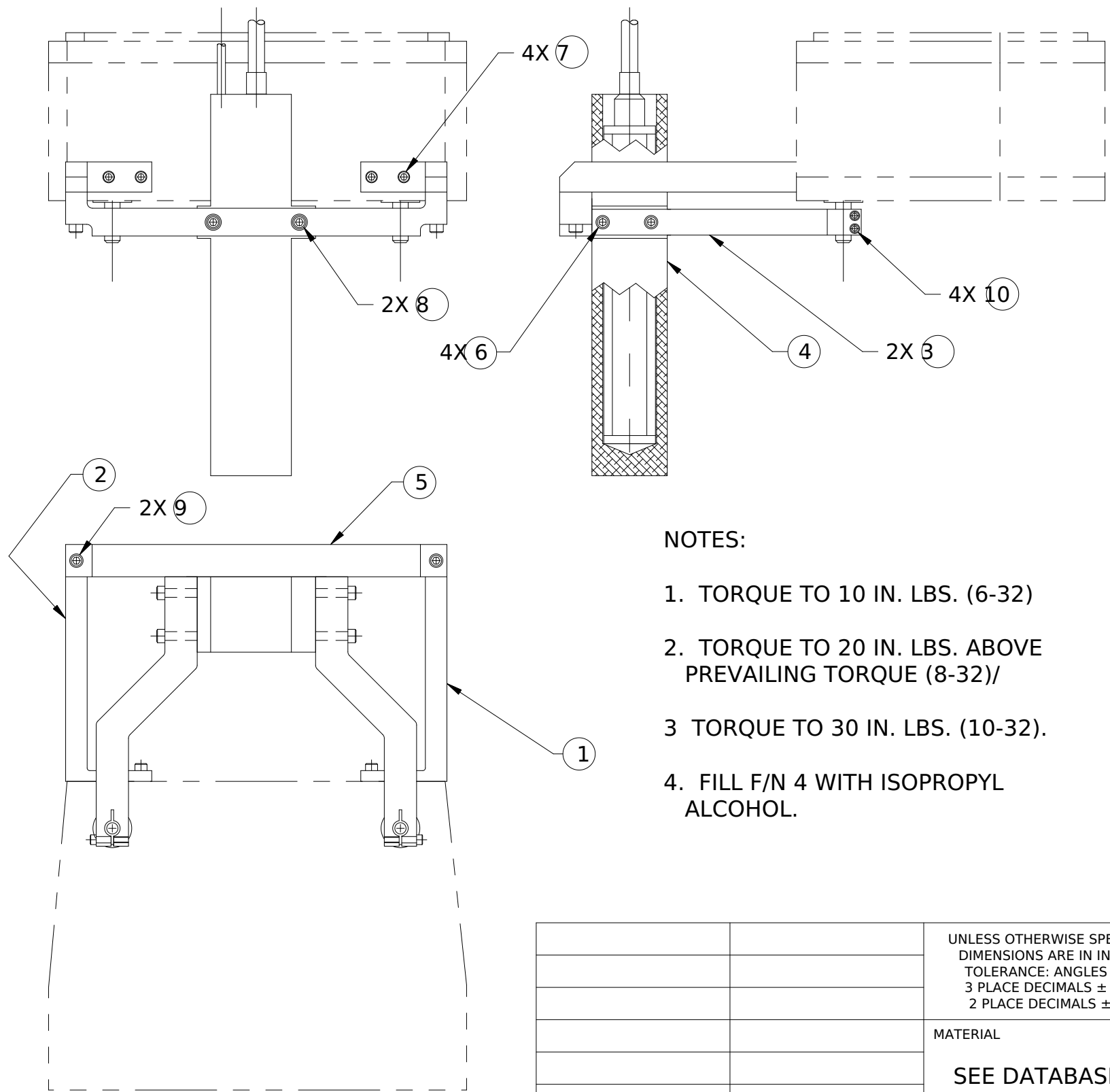


REVISIONS					
REV.	ECO NO.	DISCRIPTION	CHECKED	APPROVED	DATE
01	36-709	INITIAL RELEASE		PCT	7/29/96
02	36-811	NEW COPPER STRAP		FJK	11/08/96



NOTES:

1. TORQUE TO 10 IN. LBS. (6-32)
2. TORQUE TO 20 IN. LBS. ABOVE PREVAILING TORQUE (8-32)/
- 3 TORQUE TO 30 IN. LBS. (10-32).
4. FILL F/N 4 WITH ISOPROPYL ALCOHOL.

		UNLESS OTHERWISE SPECIFIED DIMENSIONS ARE IN INCHES TOLERANCE: ANGLES ± 1° 3 PLACE DECIMALS ± .005 2 PLACE DECIMALS ± .01	NAME	DATE	MASSACHUSETTS INSTITUTE OF TECHNOLOGY CENTER FOR SPACE RESEARCH CAMBRIDGE, MA 02139			
			DRAWN	P.C.TAPPAN	7/96	FOCAL PLANE CHILLER ASSEMBLY		
		MATERIAL	CHECKED		SIZE			
		SEE DATABASE	APPROVED		B	80230	36-60225	02
NEXT ASSEMBLY	USED ON		RELEASED		SCALE	FULL	SHEET	1 OF 1
APPLICATION			WEIGHT					