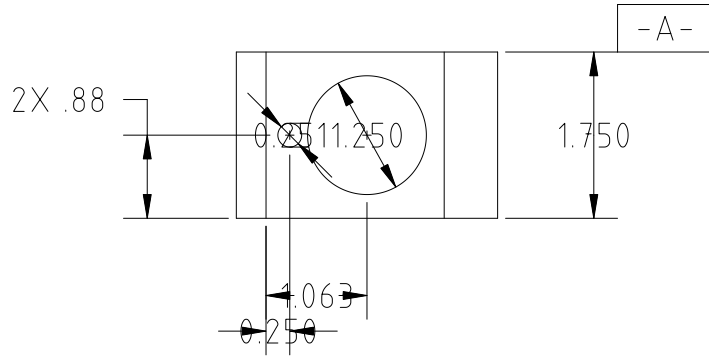
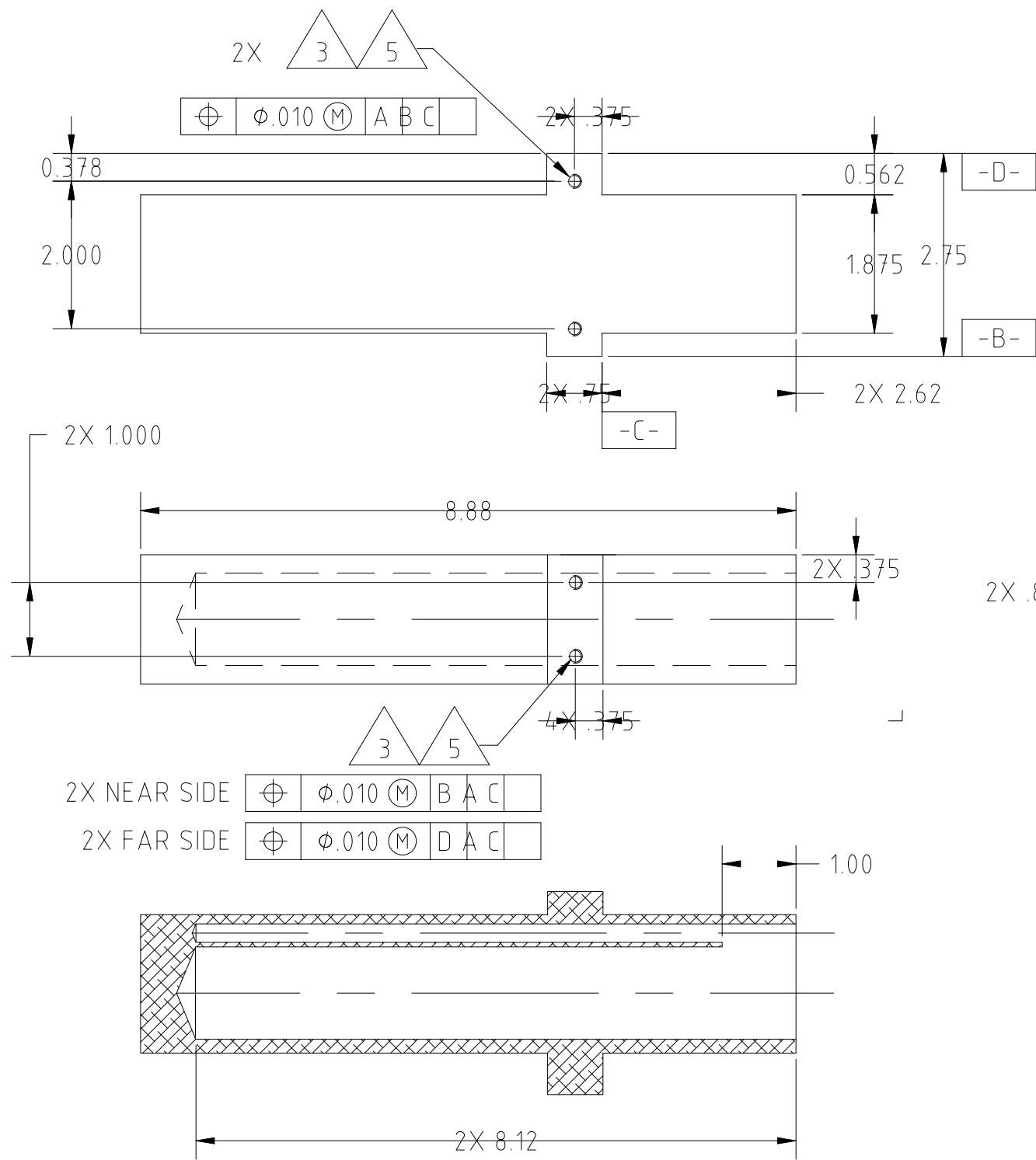


REVISIONS					
REV.	ECO NO.	DISCRIPTION	CHECKED	APPROVED	DATE



- NOTES:
1. MACHINED SURFACES 125 MAX.
 2. BREAK SHARP EDGES R.010.
 3. 6X ϕ .199-.205 X .32 ∇
 ∇ 120° \pm 5° X ϕ .23-.26
10-32 UNF STI TAP
 4. CONVERSION COAT PER
MIL-C-5541, CLASS 3.
 5. INSTALL F/N 2, 3/4" 1 1/2 P

		UNLESS OTHERWISE SPECIFIED DIMENSIONS ARE IN INCHES TOLERANCE: ANGLES \pm 1° 3 PLACE DECIMALS \pm .005 2 PLACE DECIMALS \pm .01	NAME		DATE		MASSACHUSETTS INSTITUTE OF TECHNOLOGY CENTER FOR SPACE RESEARCH CAMBRIDGE, MA 02139			
			DRAWN P. Tappan		7/96		CHILLER COLD BLOCK			
			CHECKED							
			APPROVED							
			MATERIAL		RELEASED		SIZE		FSCM NO.	DWG. NO.
		ALUMINUM 6061-T651		WEIGHT		B		80230	36-60225.04	01
NEXT ASSEMBLY		USED ON				SCALE 1:2		SHEET 1 OF 1		
APPLICATION										