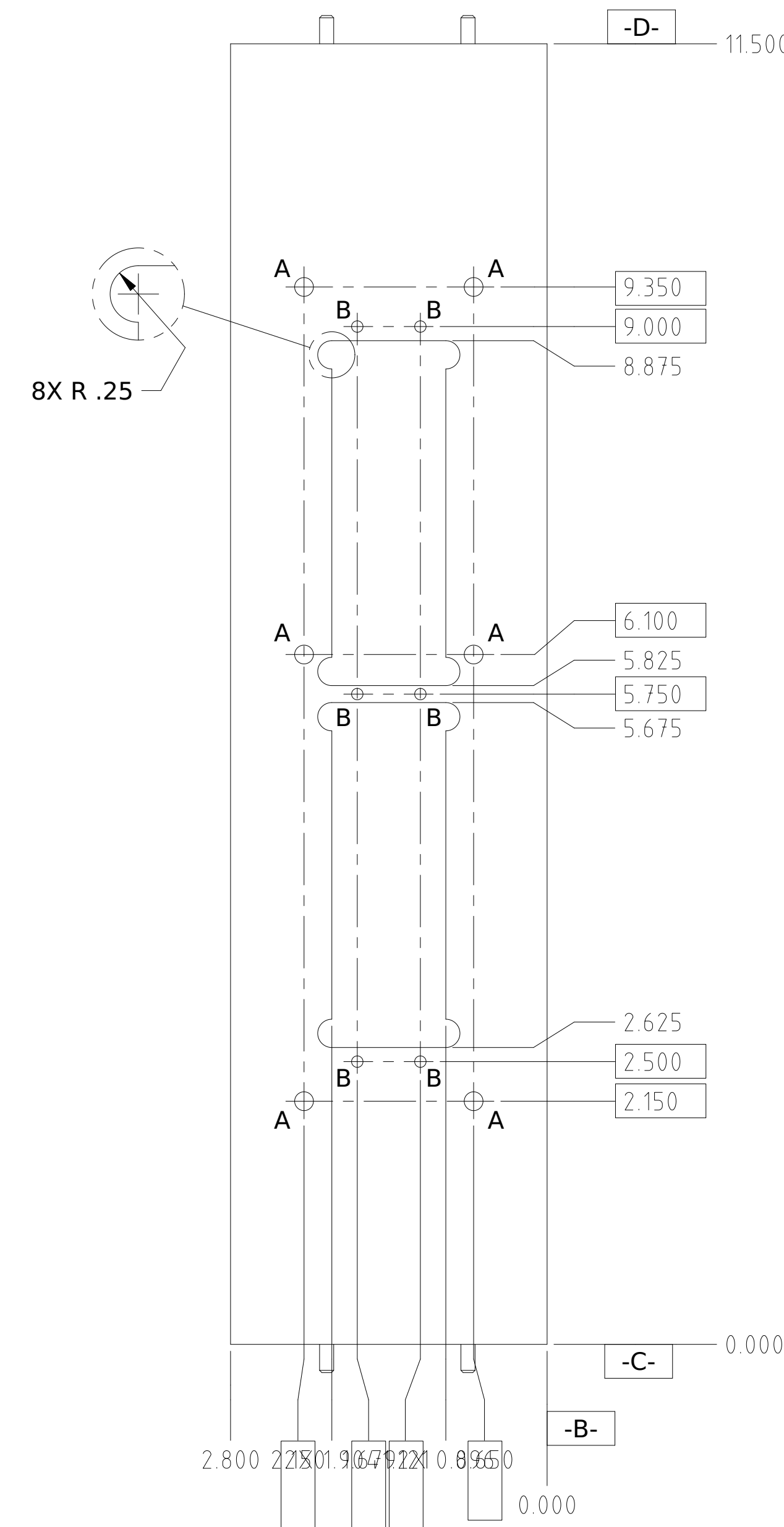
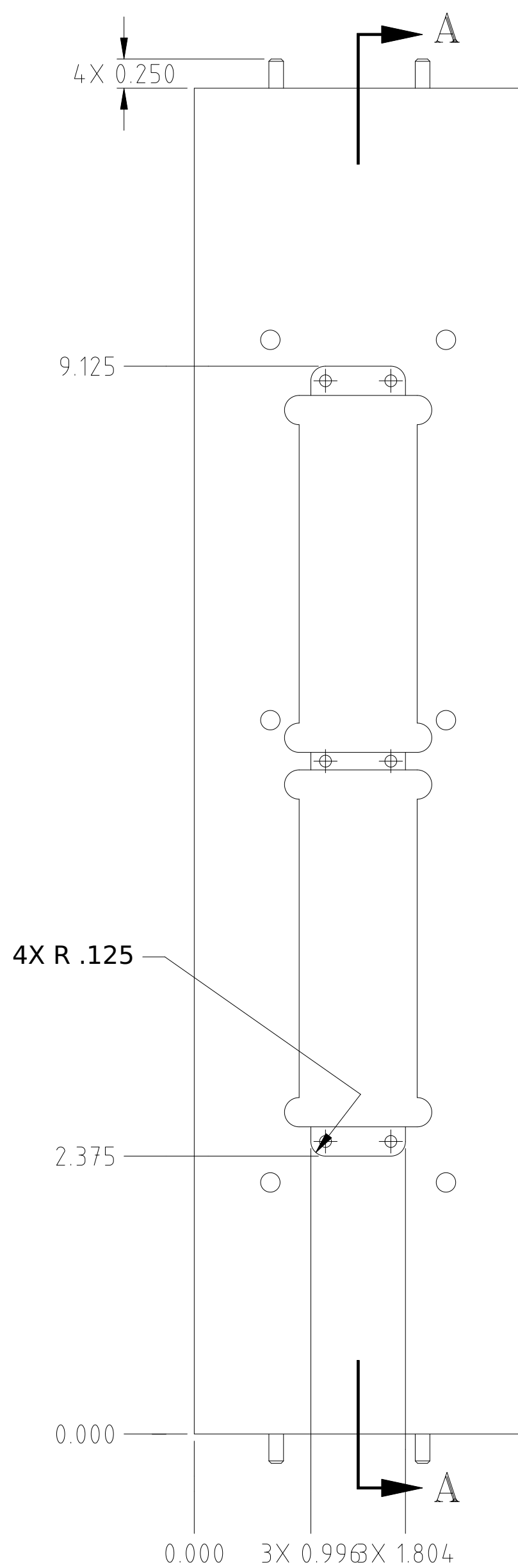
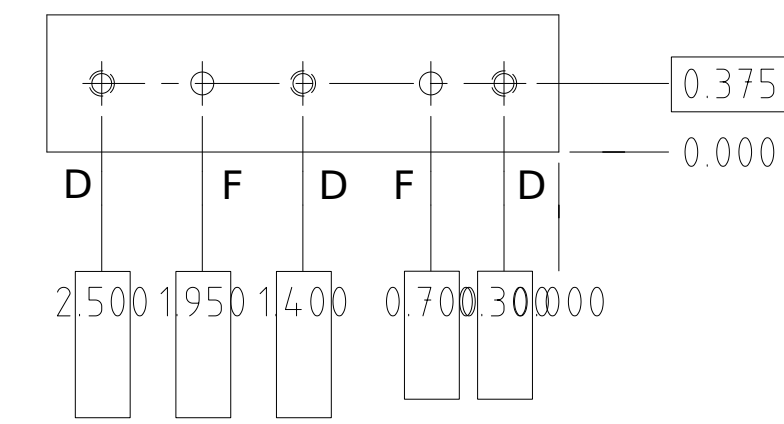


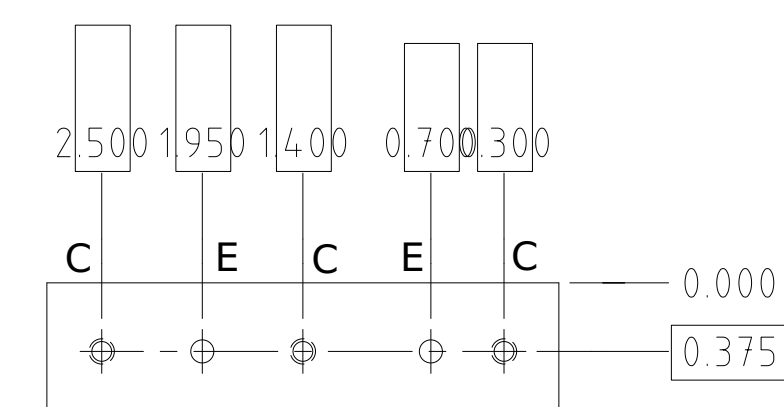
REVISIONS					
REV.	ECO NO.	DESCRIPTION	CHECKED	APPROVED	DATE
01	36-474	PRELIMINARY RELEASE			



HOLE CHART			
HOLE	TOLERANCE	QTY	DESCRIPTION
A	± 0.010 (M) A B C	6	$\phi.166^{+0.003}_{-0.002}$ HRU
B	± 0.005 (M) A B C	6	$\phi.101^{+0.003}_{-0.002}$ HRU
C	± 0.010 (M) C A B	3	$\phi.147^{+0.003}_{-0.002}$ MIN, $\phi.195 \pm 0.015 \times 120^\circ \pm 5^\circ$, TAP $\#240$ FOR No. 6-32 UNC HELICAL STI. INSTALL INSERT (FN 2) 3/4 - 1 1/2 PITCH BELOW SURFACE.
D	± 0.010 (M) D A B	3	
E	± 0.005 (M) C A B	2	$\phi.1246 \pm 0.002$.30, PRESS FIT $\phi.125 \times .50L$ DOWEL PIN (FN 1) TO DEPTH SHOWN.
F	± 0.005 (M) D A B	2	

SECTION A-A

NOTES:
1. REMOVE ALL BURRS AND SHARP EDGES R.010 OR CHAMFER MAX.



UNLESS OTHERWISE SPECIFIED DIMENSIONS ARE IN INCHES TOLERANCE: ANGLES $\pm 1^\circ$ 3 PLACE DECIMALS $\pm .005$ 2 PLACE DECIMALS $\pm .01$	
36-60216	ACIS
MATERIAL	ALUMINUM 6061-T6
INTERPRET DIMENSIONS AND TOLERANCES	IAW ANSI Y14.5M-1982

NAME	M.LYONS	DATE	22/JAN/96	MASSACHUSETTS INSTITUTE OF TECHNOLOGY CENTER FOR SPACE RESEARCH CAMBRIDGE, MA 02139	
DRAWN				REAR PLATE, DPA ASSY FIXTURE	
CHECKED					
APPROVED					
RELEASED					
SIZE	D	CAGE CODE	80230	DWG. NO.	36-60216.01
WEIGHT				REV.	01
SCALE	1:1			SHEET	1 OF 1