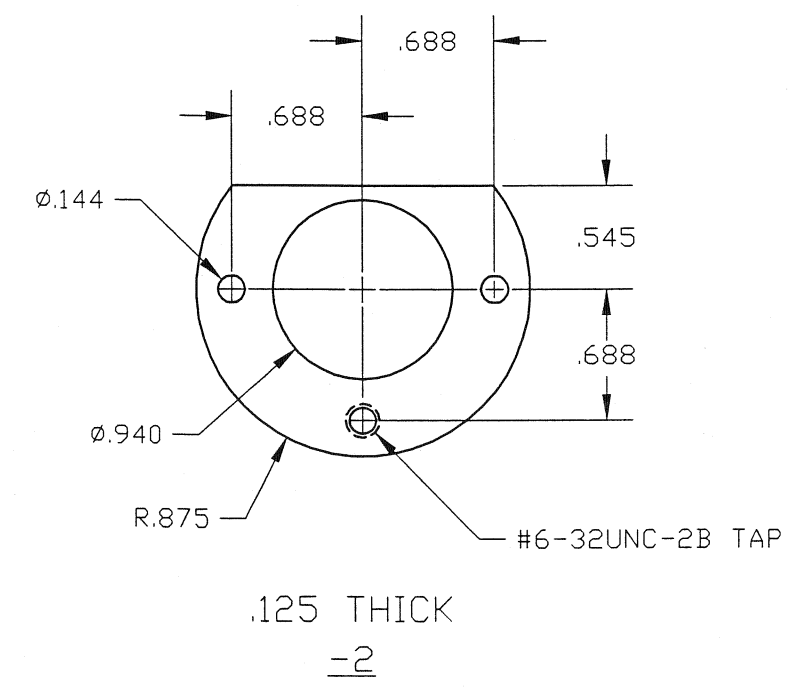
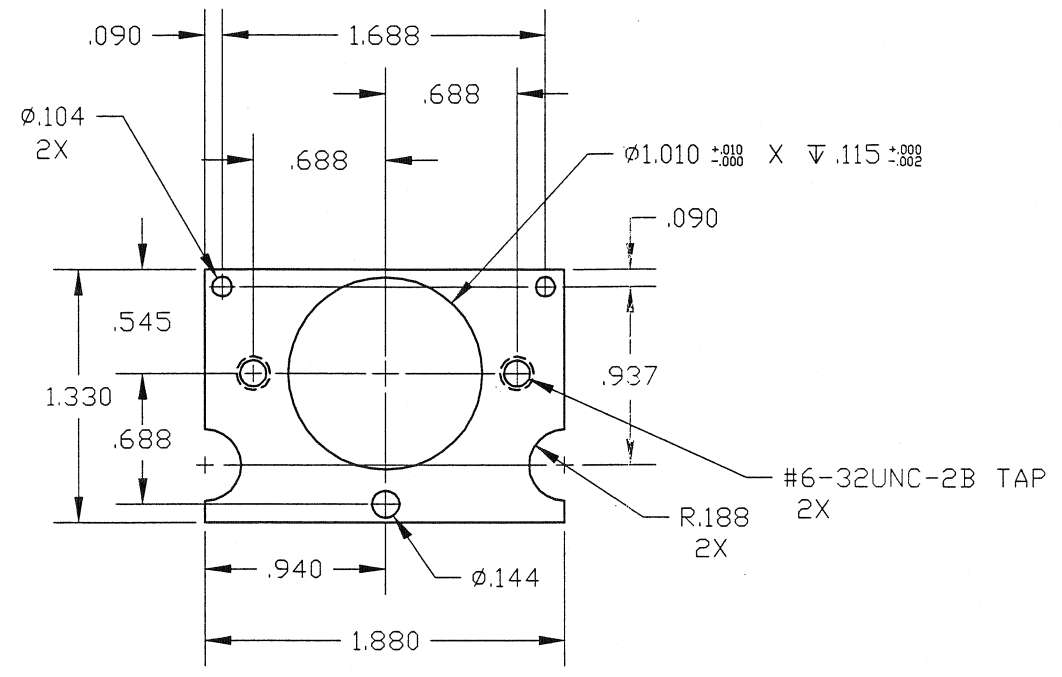
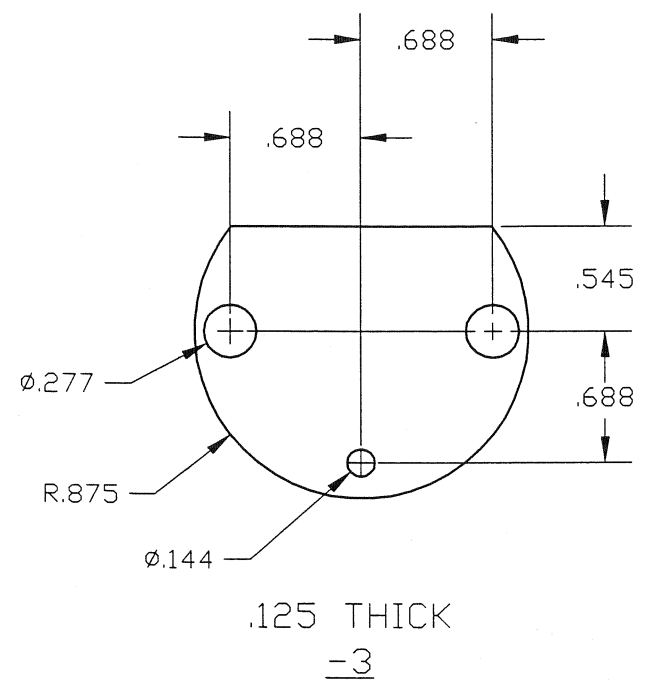


REVISIONS					
REV.	E.C.J. NO.	DESCRIPTION	CHECKED	APPROVED	DATE



- NOTES:
- DO NOT POLISH OR CLEAN. LEAVE AS FABRICATED.
  - DEBURR MANUALLY ONLY. (DO NOT USE AUTOMATIC TUMBLER)

UNLESS OTHERWISE SPECIFIED DIMENSIONS ARE IN INCHES TOLERANCE: ANGLES ± 1° 3 PLACE DECIMALS ± .001 2 PLACE DECIMALS ± .01		NAME H.C. WEST	DATE 11/29/95	MASSACHUSETTS INSTITUTE OF TECHNOLOGY CENTER FOR SPACE RESEARCH CAMBRIDGE, MA 02139	
MATERIAL AL 6061-T6		DRAWN	CHECKED <i>MP/mbl</i>	1" OWS HOLDER	
NEXT ASSEMBLY	USED IN	APPROVED	RELEASED	SIZE CASE CODE B 30230	REV 01
APPLICATION		SCALE 1/1		DWG. NO. 36-60215	REV 01
				1 OF 1	