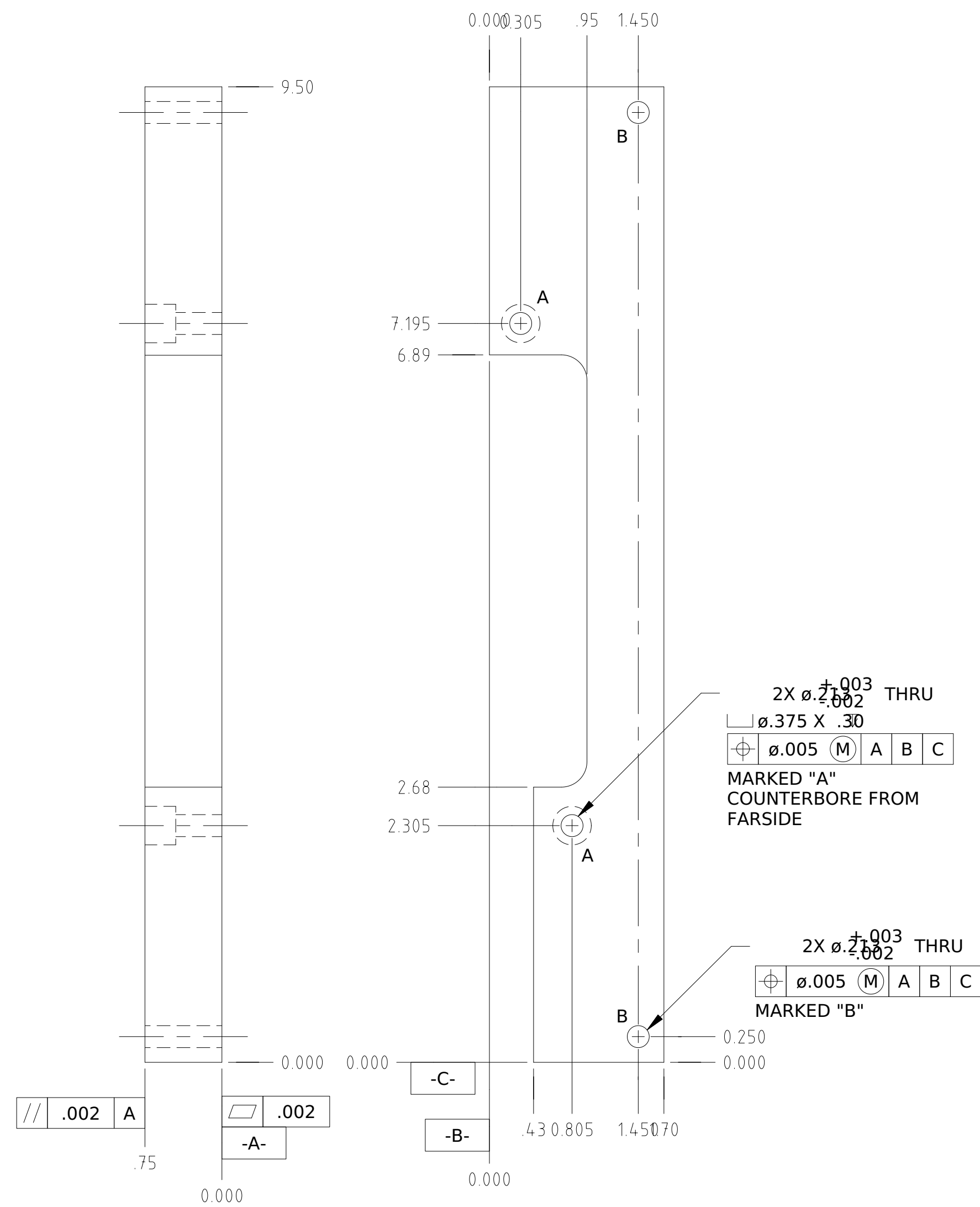
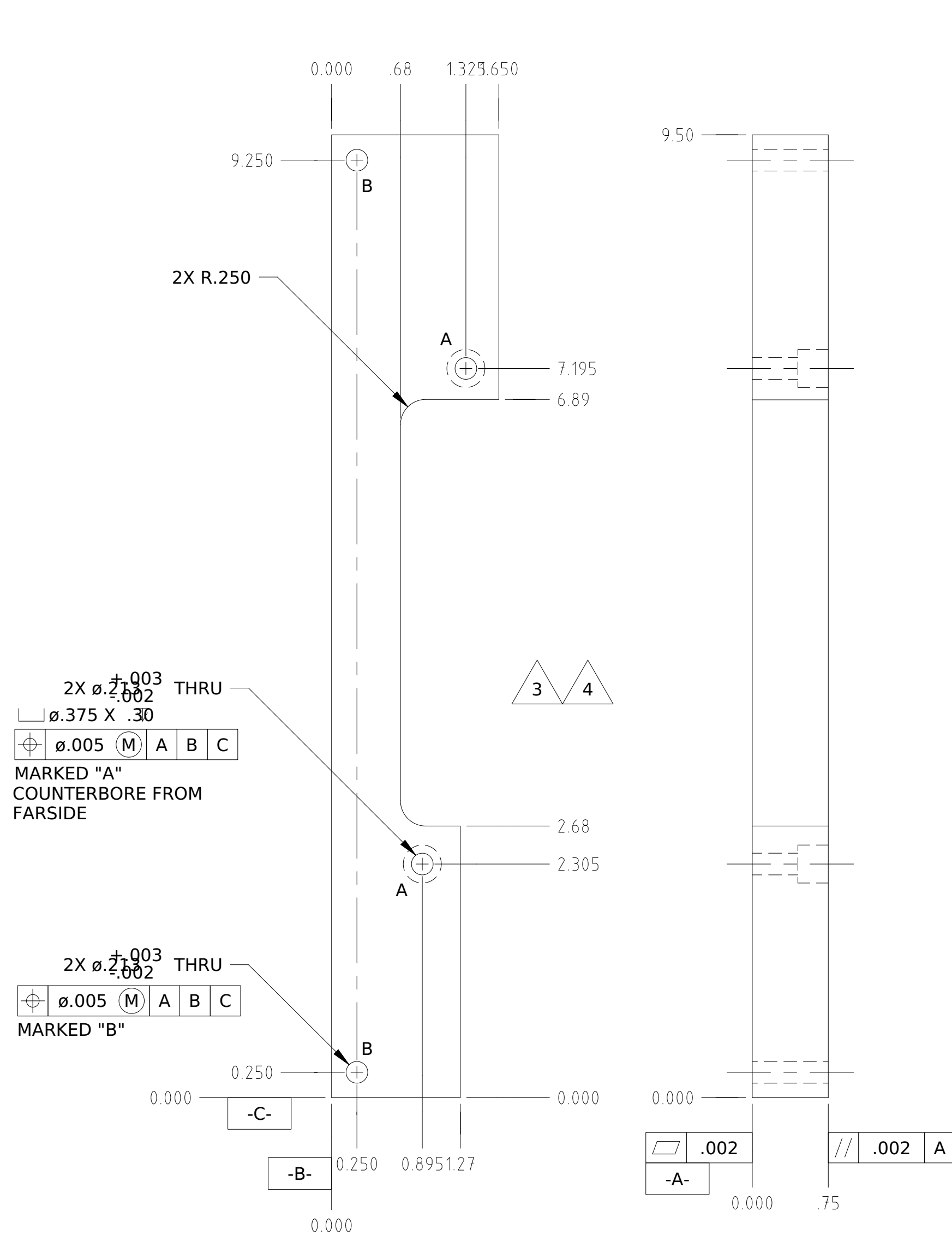


REVISIONS					
REV.	ECO NO.	DISCRIPTION	CHECKED	APPROVED	DATE
01	36-317	INITIAL RELEASE			



NOTES:
1. DEBURR AND BREAK SHARP EDGES.

		UNLESS OTHERWISE SPECIFIED DIMENSIONS ARE IN INCHES TOLERANCE: ANGLES ± 1° 3 PLACE DECIMALS ± .005 2 PLACE DECIMALS ± .01		MASSACHUSETTS INSTITUTE OF TECHNOLOGY CENTER FOR SPACE RESEARCH CAMBRIDGE, MA 02139	
		NAME	DATE	BACK PLATE FIXTURE	
		DRAWN J. COOK	7/24/95		
		CHECKED			
		APPROVED			
36-60200	ACIS	MATERIAL	ALUMINUM 6061-T651 PER QQ-A-250/11	SIZE	C
NEXT ASSEMBLY	USED ON	RELEASED		FSCM NO.	80230
APPLICATION		WEIGHT		DWG. NO.	36-60212
				SCALE	1/1
				SHEET	1 OF 1
				REV.	01