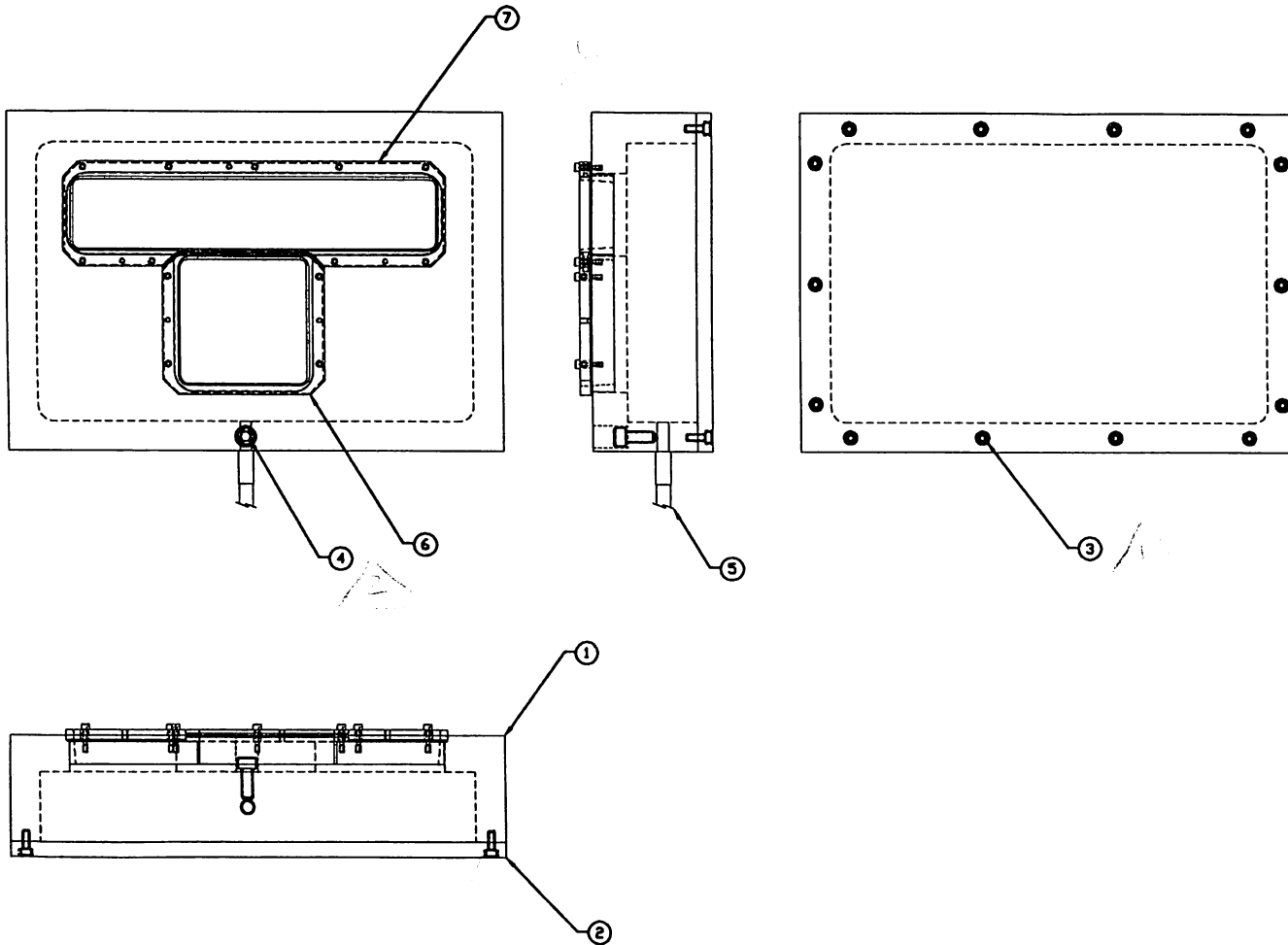


REV. EDD. NO.		DESCRIPTION	REVISIONS		
CHECKED	APPROVED	DATE			



NAME		DATE		MASSACHUSETTS INSTITUTE OF TECHNOLOGY	
DRAWN		MC. VERT		CENTER FOR SPACE RESEARCH	
CHECKED				CAMBRIDGE, MA 02139	
APPROVED				OBF TEST FIXTURE ASSEMBLY	
RELEASED					
MATERIAL				DESK / FRESH NO.	DATE NO.
ACIS		SEE DATA BASE		D 80230	36-60210
NEXT ASSEMBLY	USED ON	VEIGHT		SCALE 1/4"	SHEET 1 OF 2
APPLICATION					

UNLESS OTHERWISE SPECIFIED DIMENSIONS ARE IN INCHES FRACTIONS ANGLES & P 3 PLACE DECIMALS & 00 2 PLACE DECIMALS & 21

01