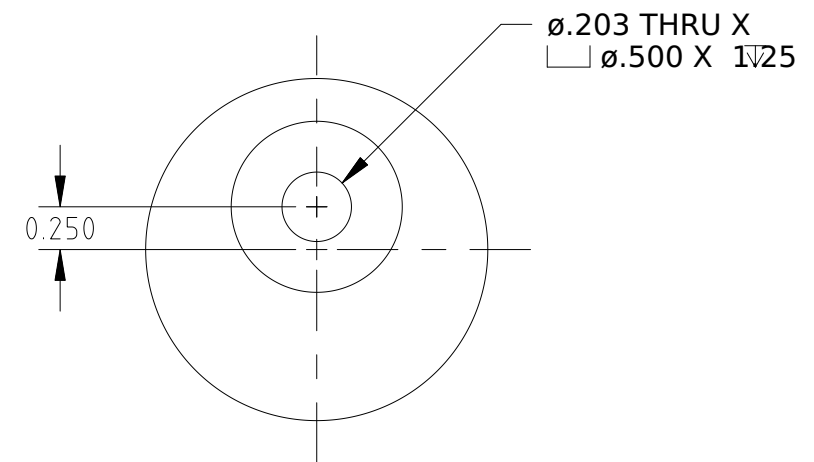
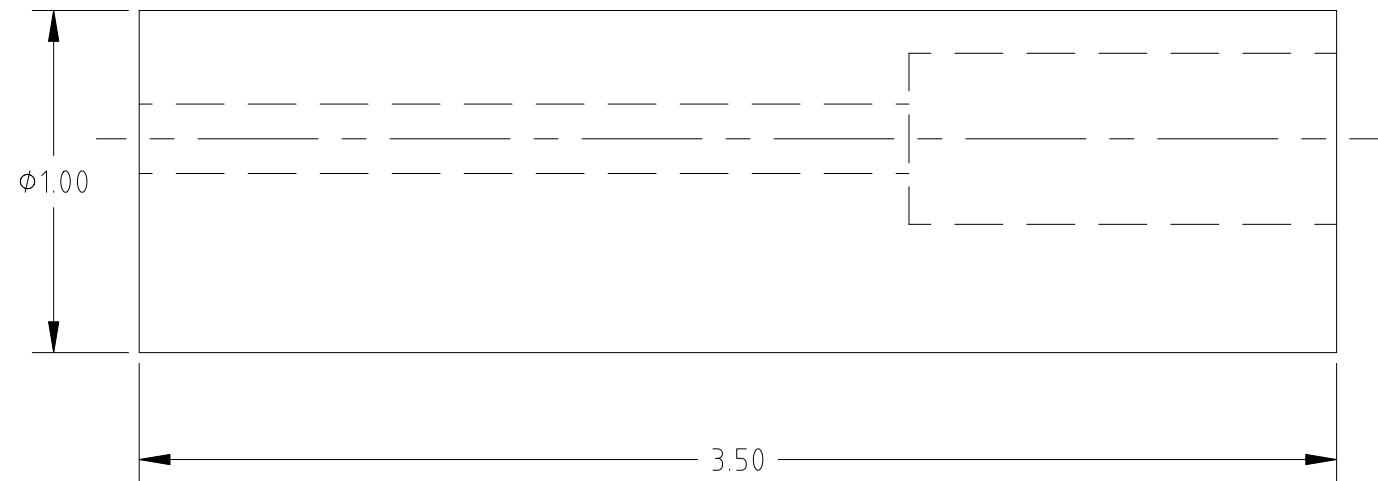


REVISIONS					
REV.	ECO NO.	DISCRIPTION	CHECKED	APPROVED	DATE
01	36-179	INITIAL RELEASE			



		UNLESS OTHERWISE SPECIFIED DIMENSIONS ARE IN INCHES TOLERANCE: ANGLES $\pm 1^\circ$ 3 PLACE DECIMALS $\pm .005$ 2 PLACE DECIMALS $\pm .01$	NAME	DATE	MASSACHUSETTS INSTITUTE OF TECHNOLOGY CENTER FOR SPACE RESEARCH CAMBRIDGE, MA 02139				
			DRAWN	J.COOK	3/30/95	STANDOFF POST			
			CHECKED						
			APPROVED						
		MATERIAL	RELEASED		SIZE	FSCM NO.	DWG. NO.	REV.	
		ALUMINUM	WEIGHT		B	80230	36-60207	01	
NEXT ASSEMBLY	USED ON	6061-T6			SCALE	2/1	SHEET	1 OF 1	
APPLICATION									