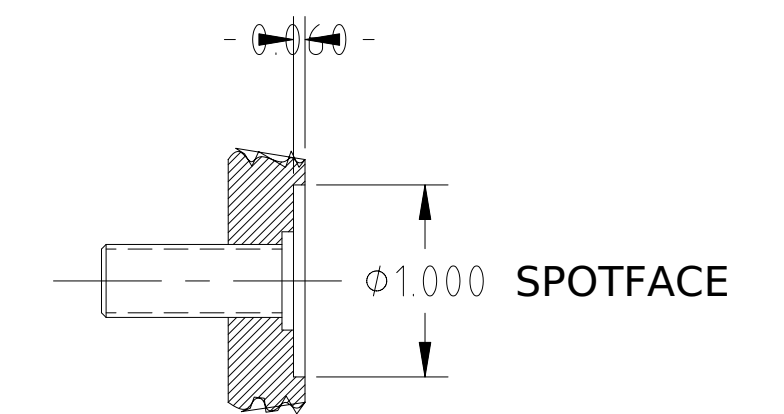
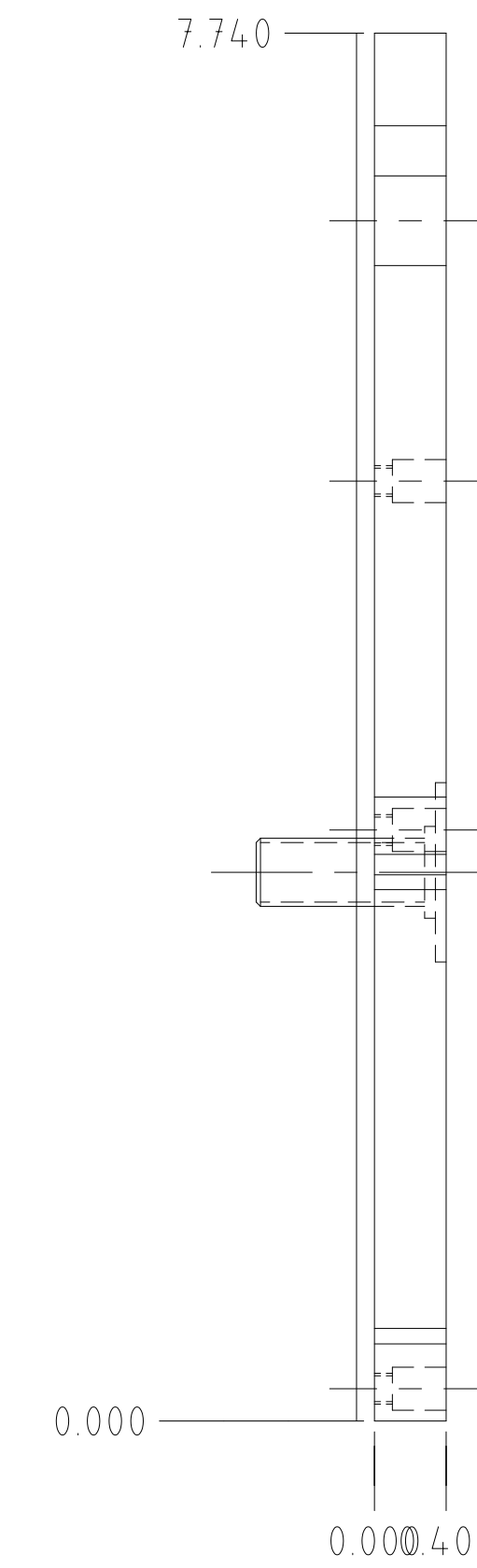
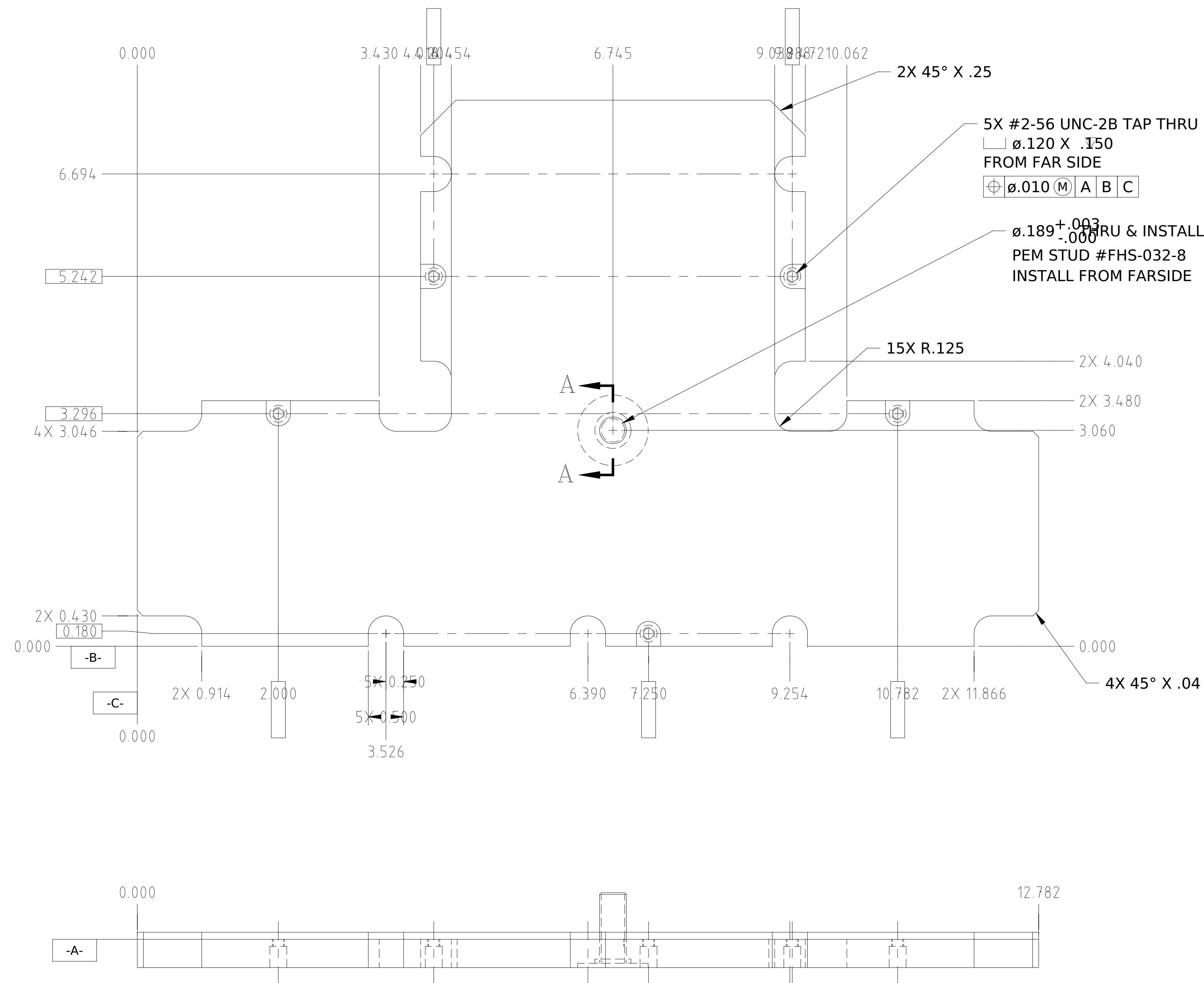


REVISIONS					
REV.	ECO NO.	DISCRIPTION	CHECKED	APPROVED	DATE
01	36-152	INITIAL RELEASE	PCT RFG		03/03/95
02	36-183	PER ECO #36-183			



SECTION A-A  
SPOTFACE DETAILS  
SCALE: 2/1

NOTES:

1. MACHINED SURFACES 125 MAX. EXCEPT AS NOTED.
2. BREAK SHARP EDGES .01 RADIUS.
3. CONVERSION COAT PER MIL-C-5541, CLASS 3.

NAME		DATE	MASSACHUSETTS INSTITUTE OF TECHNOLOGY					
DRAWN		J.COOK	CENTER FOR SPACE RESEARCH					
CHECKED		P.C.TAPPAN	CAMBRIDGE, MA 02139					
APPROVED		R.F.GOEKE	<b>FIXTURE, FILTER MOUNTING</b>					
RELEASED		D.GAGE						
MATERIAL		ALUMINUM 6061-T6 PER QQ-A-250/11	SIZE	D 80230	DWG. NO.	36-60206	REV.	02
NEXT ASSEMBLY		USED ON	SCALE	2/1	SHEET	1 OF 1		