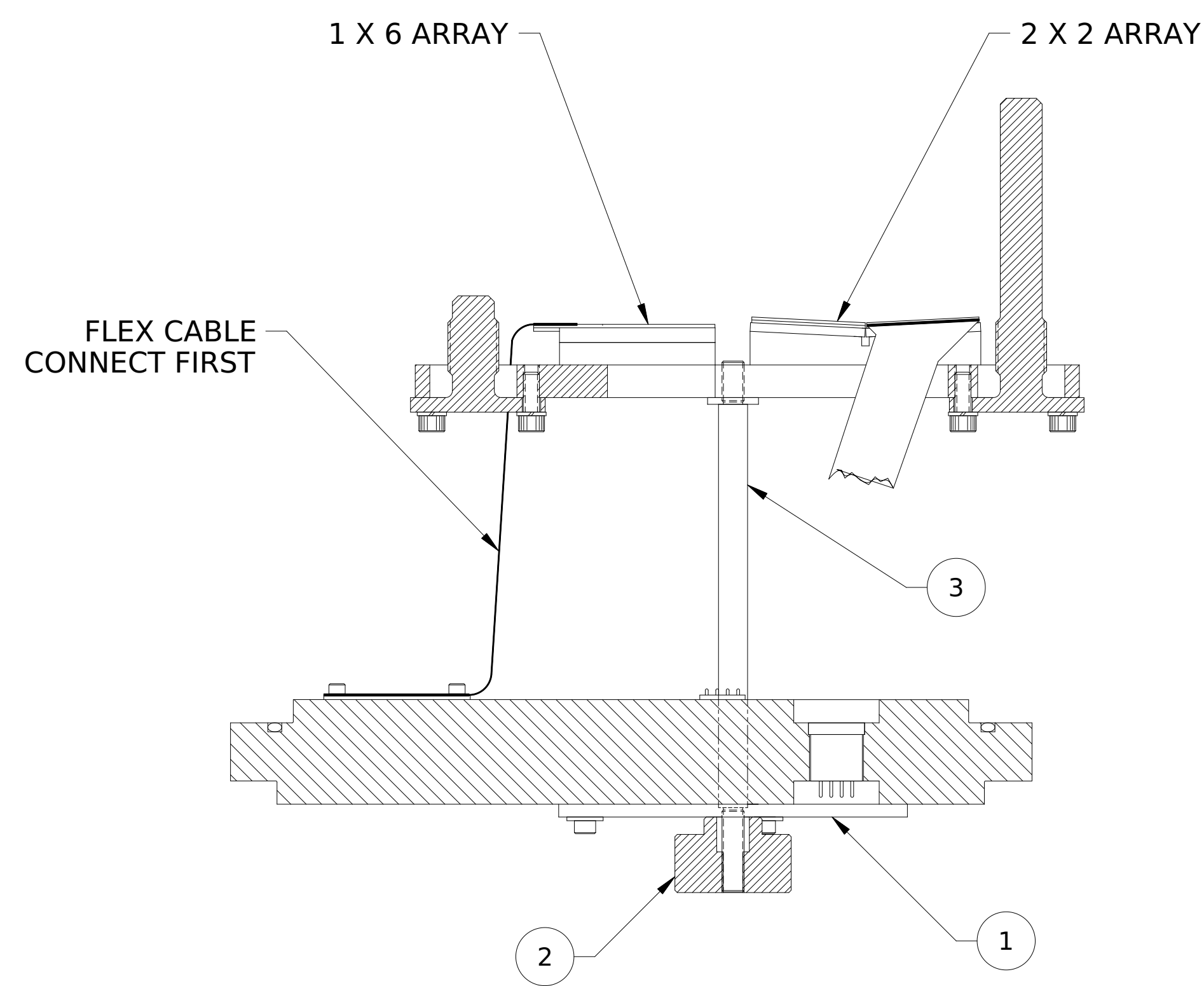
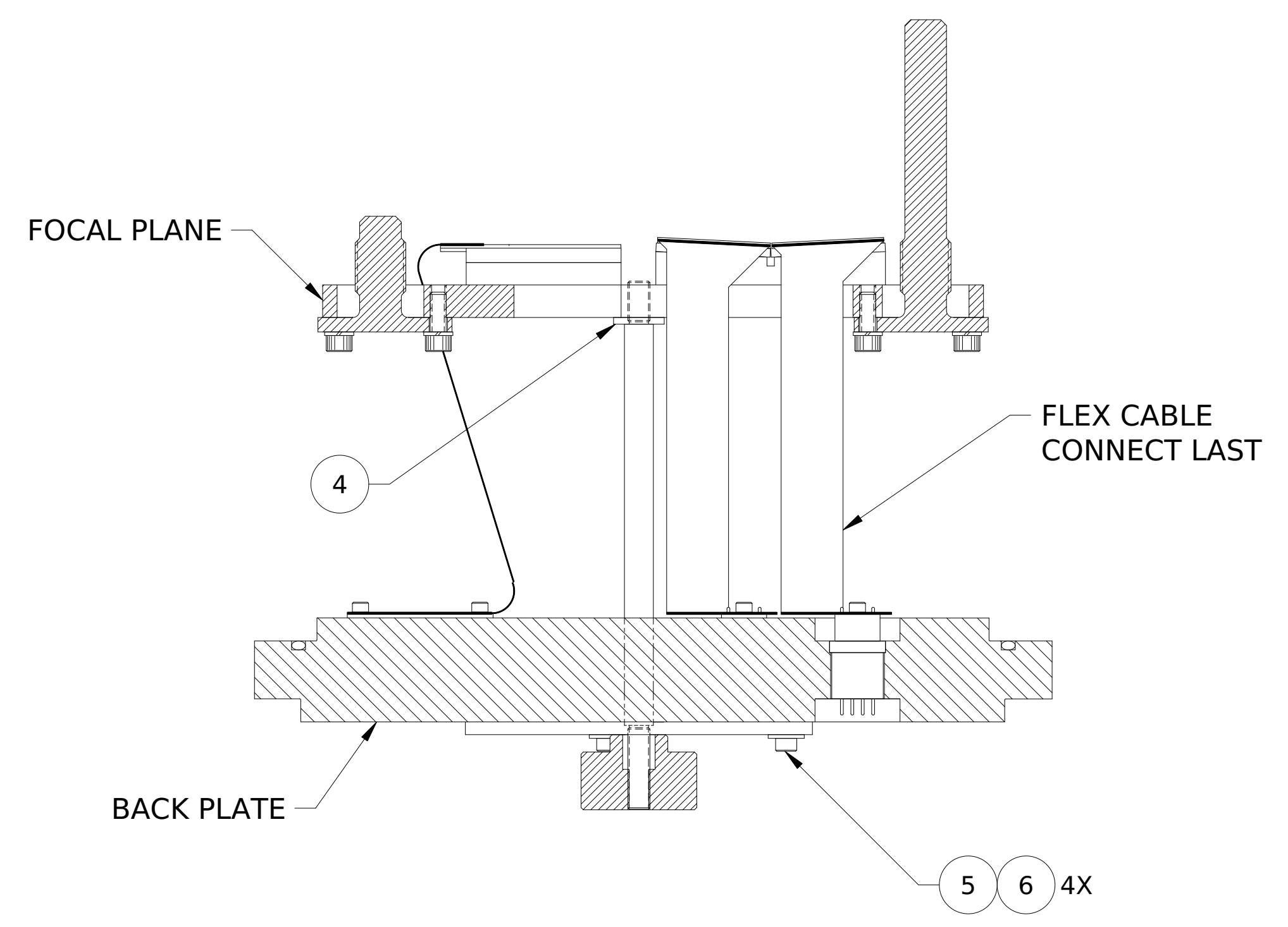


| REVISIONS | | | | | |
|-----------|---------|-----------------|---------|----------|------|
| REV. | ECO NO. | DESCRIPTION | CHECKED | APPROVED | DATE |
| 01 | 36-139 | INITIAL RELEASE | | | |



CROSSSECTION A
 BACK PLATE &
 FOCAL PLANE ASSEMBLY
 FOWARD POSITION



CROSSSECTION B
 BACK PLATE &
 FOCAL PLANE ASSEMBLY
 CENTERED POSITION

| | |
|-------------|---------|
| ACIS | USED ON |
| APPLICATION | |

UNLESS OTHERWISE SPECIFIED
 DIMENSIONS ARE IN INCHES
 TOLERANCE: ANGLES ± 1°
 3 PLACE DECIMALS ± .005
 2 PLACE DECIMALS ± .01

| | | | | |
|---------------|----------------|---|---------|--|
| NAME | DATE | MASSACHUSETTS INSTITUTE OF TECHNOLOGY CENTER FOR SPACE RESEARCH CAMBRIDGE, MA 02139 | | |
| DRAWN J. COOK | 2/1/95 | | | |
| CHECKED | | | | |
| APPROVED | | FOCAL PLANE & BACK PLATE ASSEMBLY FIXTURE ASSEMBLY | | |
| RELEASED | | | | |
| SIZE D | FSCM NO. 80230 | DWG. NO. 36-60205 | REV. 01 | |
| WEIGHT | SCALE 1/1 | SHEET 1 OF 1 | | |