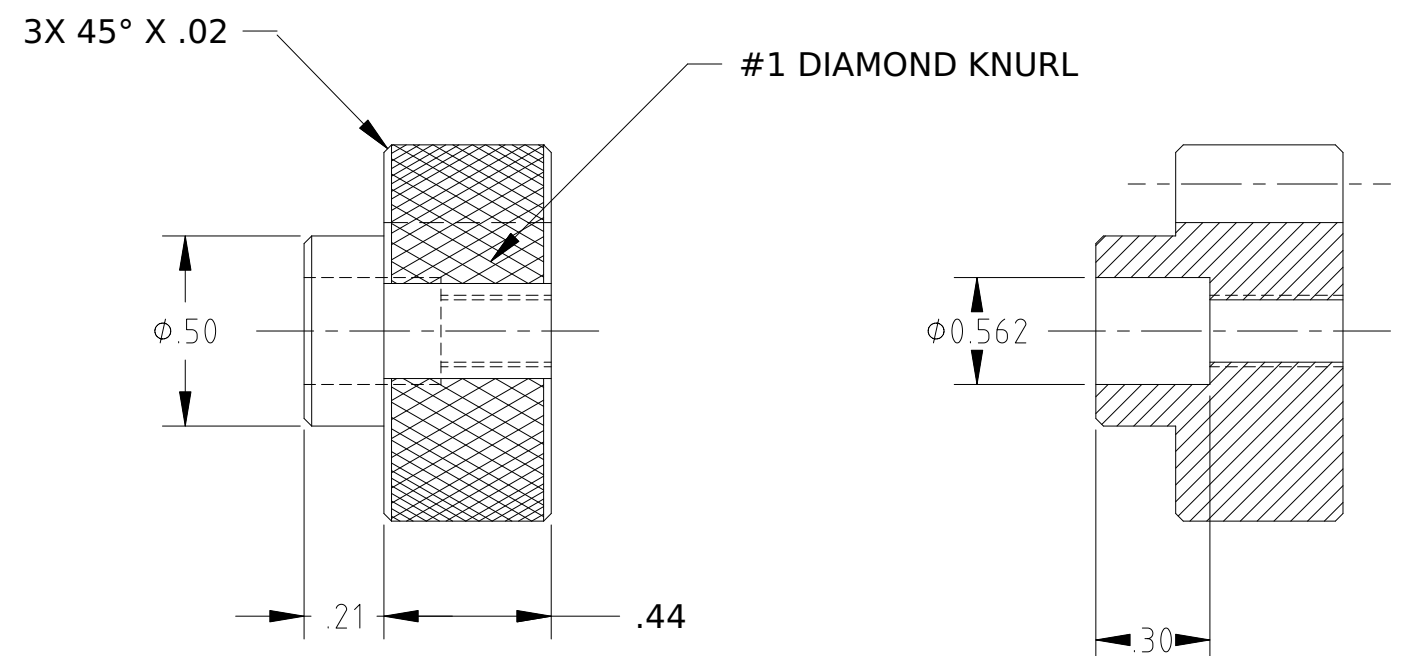
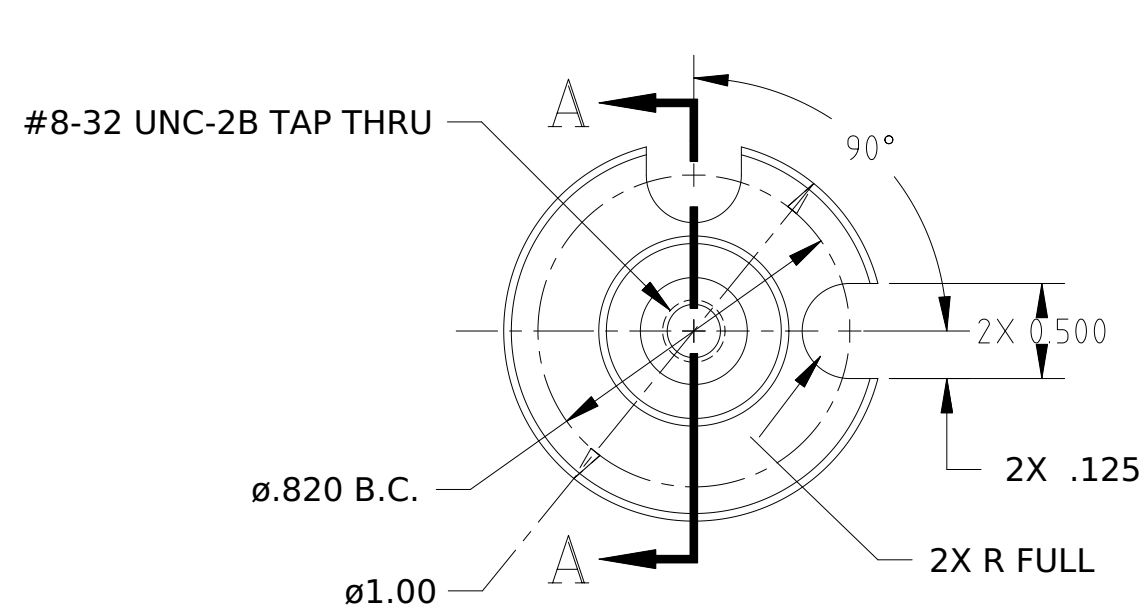


REVISIONS						
REV.	ECO NO.	DISCRIPTION		CHECKED	APPROVED	DATE
01	36-139	INITIAL RELEASE	PCT	RFG		9/15/94
02	36-173	PER ECO #36-173				



SECTION A-A

NOTES:

1. MACHINED SURFACES 125 MAX. EXCEPT AS NOTED.
2. BREAK SHARP EDGES .01 RADIUS.
3. CONVERSION COAT PER MIL-C-5541, CLASS 3.

		UNLESS OTHERWISE SPECIFIED DIMENSIONS ARE IN INCHES TOLERANCE: ANGLES ± 1° 3 PLACE DECIMALS ± .005 2 PLACE DECIMALS ± .01	NAME	DATE	MASSACHUSETTS INSTITUTE OF TECHNOLOGY CENTER FOR SPACE RESEARCH CAMBRIDGE, MA 02139				
			DRAWN	J.COOK					9/9/94
			MATERIAL ALUMINUM 6061-T6 PER QQ-A-200/8	CHECKED	P.C.TAPPAN	9/15/94	KNOB		
		APPROVED		R.F.GOEKE	9/15/94				
36-60205	ACIS	RELEASED		D.GAGE	9/15/94	SIZE	FSCM NO.	DWG. NO.	REV.
NEXT ASSEMBLY	USED ON	WEIGHT				B	80230	36-60205.02	02
APPLICATION					SCALE	2/1	SHEET	1 OF 1	