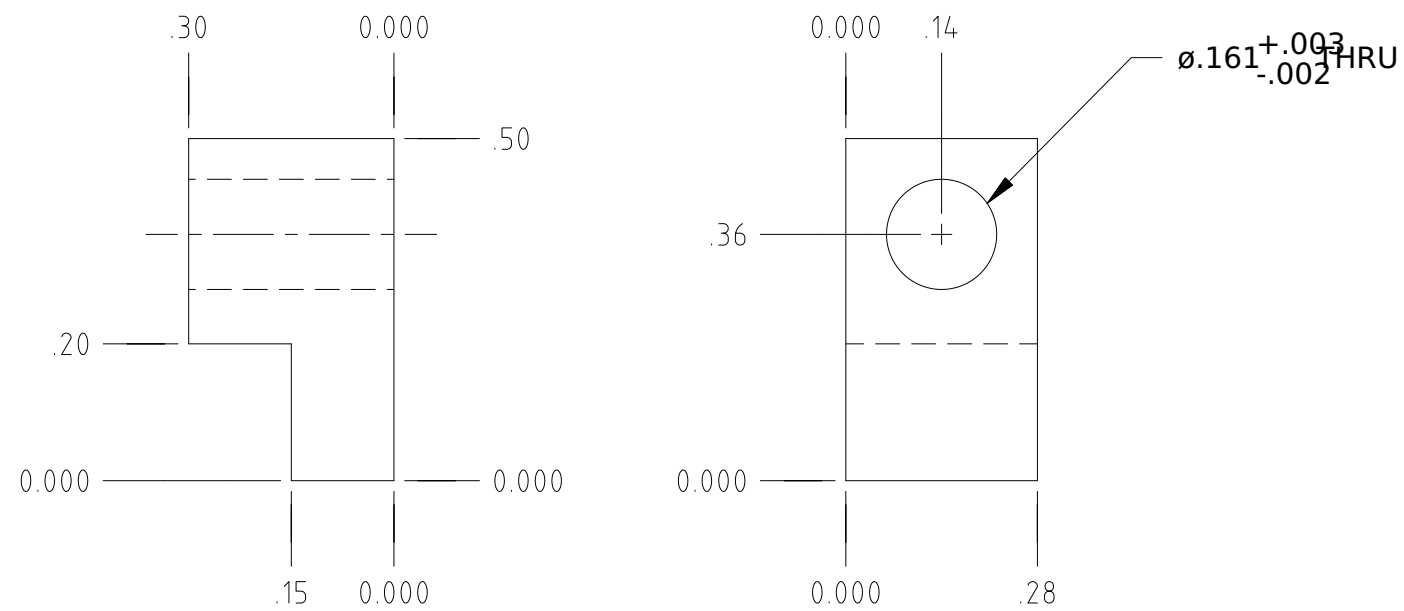


REVISIONS					
REV.	ECO NO.	DISCRIPTION	CHECKED	APPROVED	DATE
A	36-138	INITIAL RELEASE			



		UNLESS OTHERWISE SPECIFIED DIMENSIONS ARE IN INCHES TOLERANCE: ANGLES $\pm 1^\circ$ 3 PLACE DECIMALS $\pm .005$ 2 PLACE DECIMALS $\pm .01$	NAME	DATE	MASSACHUSETTS INSTITUTE OF TECHNOLOGY CENTER FOR SPACE RESEARCH CAMBRIDGE, MA 02139				
			DRAWN	J. COOK	2/3/95	GLASS CLAMP			
			CHECKED						
		MATERIAL	APPROVED		SIZE	FSCM NO.	DWG. NO.	REV.	
		BLACK DELRIN	RELEASED		B	80230	36-60203	A	
NEXT ASSEMBLY	USED ON		WEIGHT		SCALE	4/1	SHEET	1 OF 1	
APPLICATION									