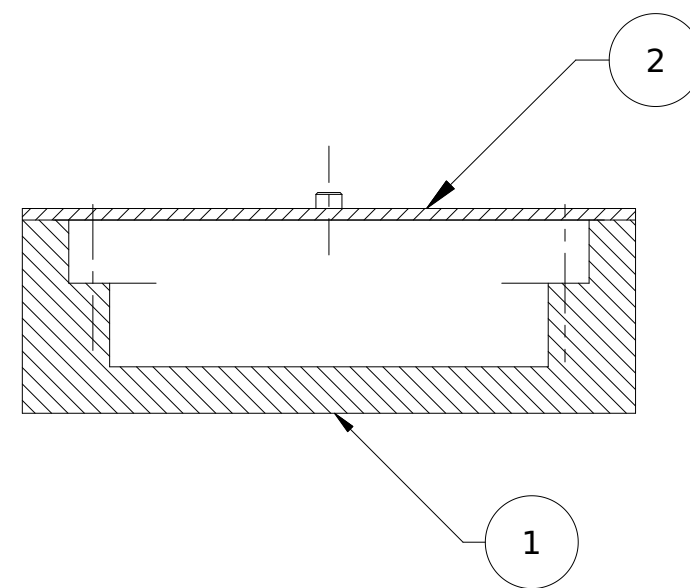
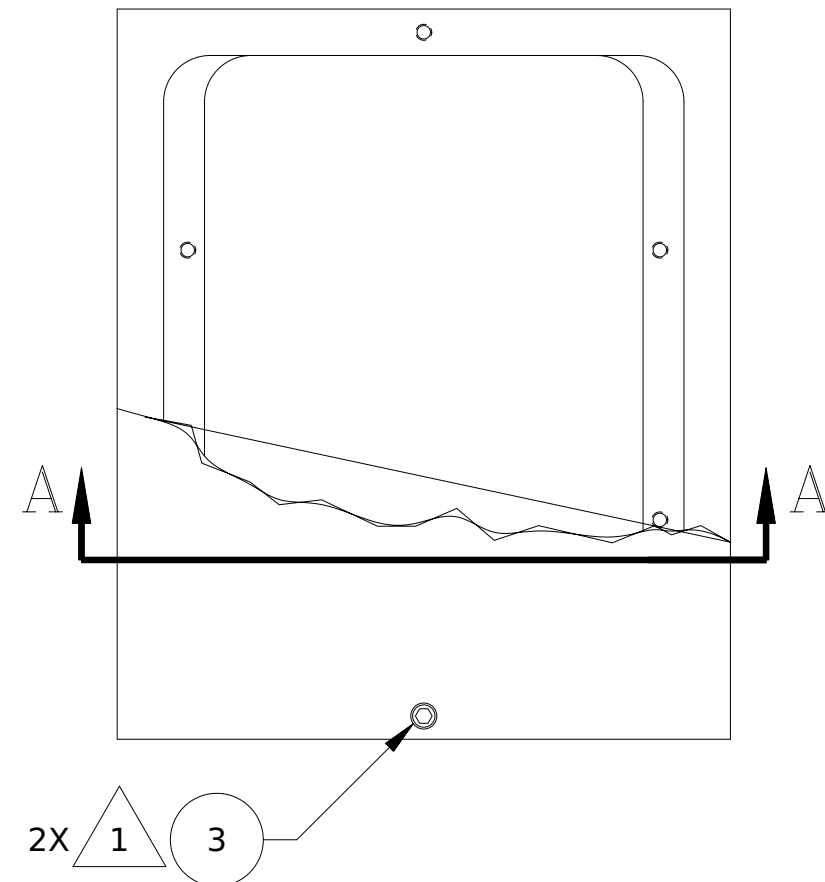


REVISIONS					
REV.	ECO NO.	DISCRIPTION	CHECKED	APPROVED	DATE
A	36-131	INITIAL RELEASE			



SECTION A-A

NOTES:

- 1. TORQUE TO 2 INCH POUNDS.

		UNLESS OTHERWISE SPECIFIED DIMENSIONS ARE IN INCHES TOLERANCE: ANGLES $\pm 1^\circ$ 3 PLACE DECIMALS $\pm .005$ 2 PLACE DECIMALS $\pm .01$	NAME	DATE	MASSACHUSETTS INSTITUTE OF TECHNOLOGY CENTER FOR SPACE RESEARCH CAMBRIDGE, MA 02139			
			DRAWN J. COOK	12/16/94	STORAGE CONTAINER IMAGER FILTER			
			CHECKED					
			MATERIAL	APPROVED		SIZE	FSCM NO.	DWG. NO.
ACIS		SEE BILL OF MATERIALS	RELEASED		C	80230	36-60202	A
NEXT ASSEMBLY	USED ON		WEIGHT		SCALE	FULL	SHEET	1 OF 1
APPLICATION								