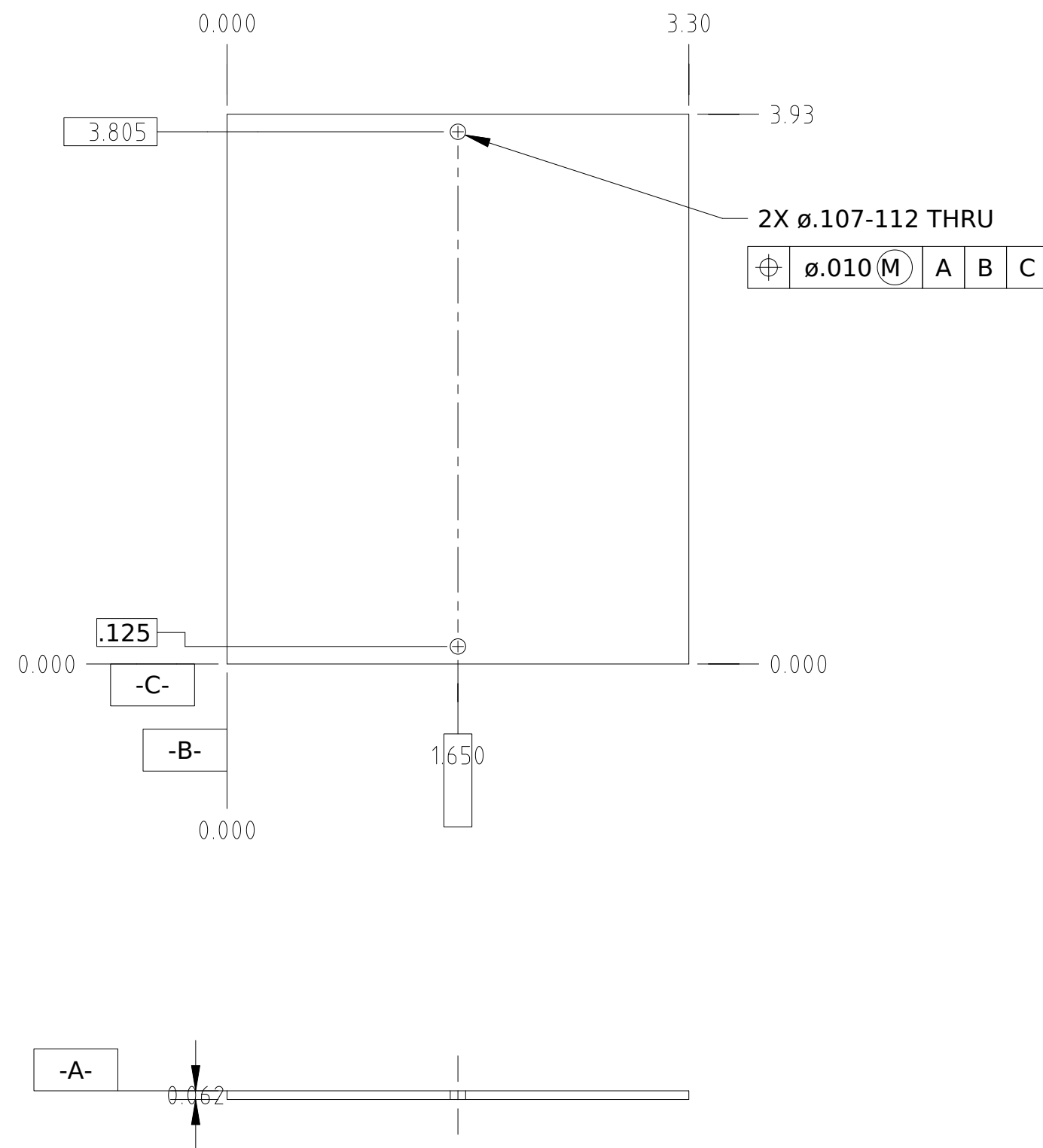


REVISIONS					
REV.	ECO NO.	DISCRIPTION	CHECKED	APPROVED	DATE
A	36-136	INITIAL RELEASE			



NOTES:

1. MACHINED SURFACES 125 MAX.
2. BREAK SHARP EDGES .01.

		UNLESS OTHERWISE SPECIFIED DIMENSIONS ARE IN INCHES TOLERANCE: ANGLES $\pm 1^\circ$ 3 PLACE DECIMALS $\pm .005$ 2 PLACE DECIMALS $\pm .01$	NAME	DATE	MASSACHUSETTS INSTITUTE OF TECHNOLOGY CENTER FOR SPACE RESEARCH CAMBRIDGE, MA 02139			
			DRAWN J.COOK	1/24/95	STORAGE CONTAINER IMAGER COVER			
		MATERIAL	CHECKED					SIZE
36-60202	ACIS	303 S.ST.	APPROVED		C	80230	36-60202.02	A
NEXT ASSEMBLY	USED ON		WEIGHT	RELEASED		SCALE	FULL	SHEET
APPLICATION								