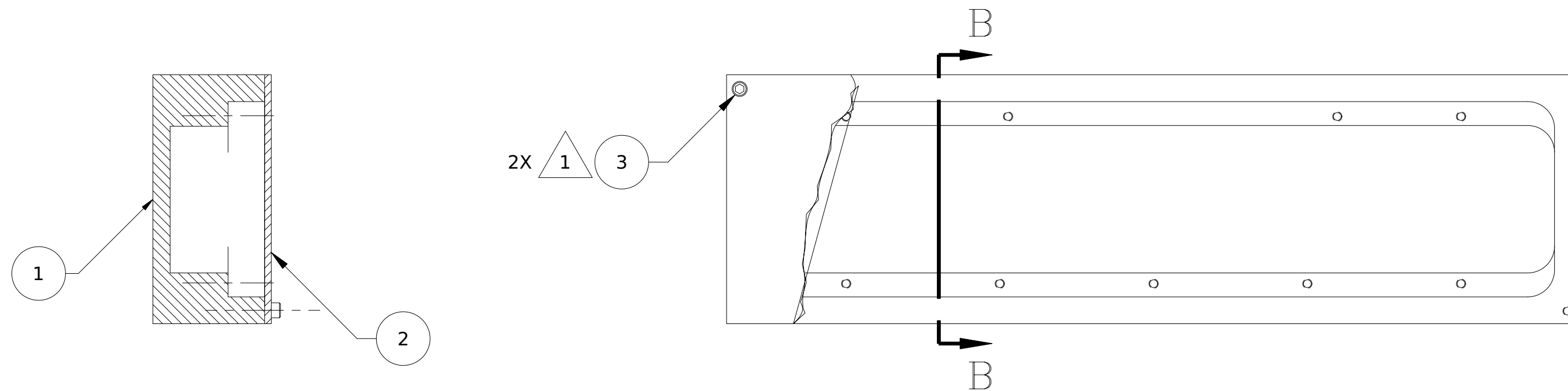


REVISIONS					
REV.	ECO NO.	DISCRIPTION	CHECKED	APPROVED	DATE
A	36-131	INITIAL RELEASE			



SECTION B-B  
CONTAINER ASSEMBLY

NOTES:

1. TORQUE TO 2 INCH POUNDS.

		UNLESS OTHERWISE SPECIFIED DIMENSIONS ARE IN INCHES TOLERANCE: ANGLES $\pm 1^\circ$ 3 PLACE DECIMALS $\pm .005$ 2 PLACE DECIMALS $\pm .01$	NAME	DATE	MASSACHUSETTS INSTITUTE OF TECHNOLOGY CENTER FOR SPACE RESEARCH CAMBRIDGE, MA 02139			
			DRAWN	J. COOK	12/16/94	STORAGE CONTAINER SPECTROMETER FILTER		
			CHECKED					
			APPROVED					
		MATERIAL	RELEASED		SIZE	FSCM NO.	DWG. NO.	REV.
ACIS		SEE BILL OF MATERIALS	WEIGHT		C	80230	36-60201	A
NEXT ASSEMBLY	USED ON				SCALE	FULL	SHEET	1 OF 1
APPLICATION								