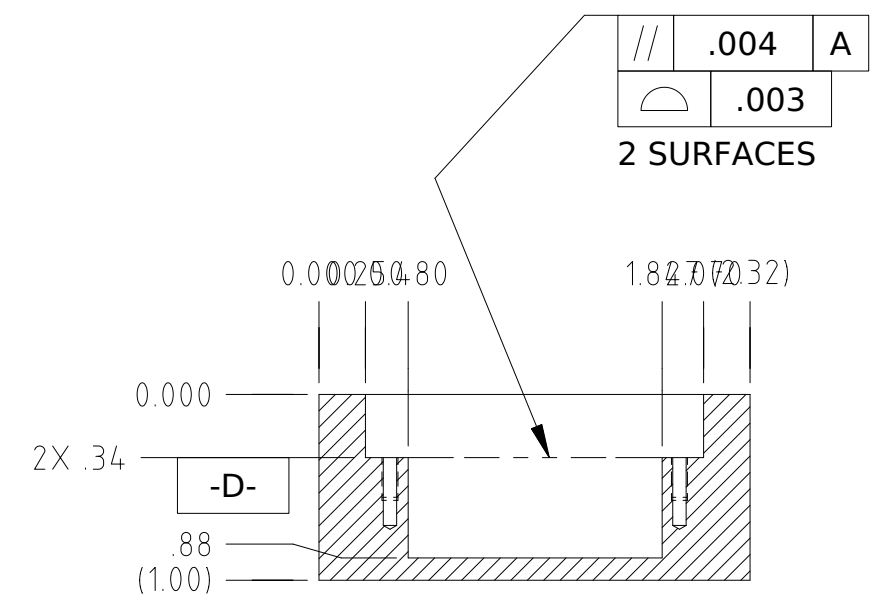
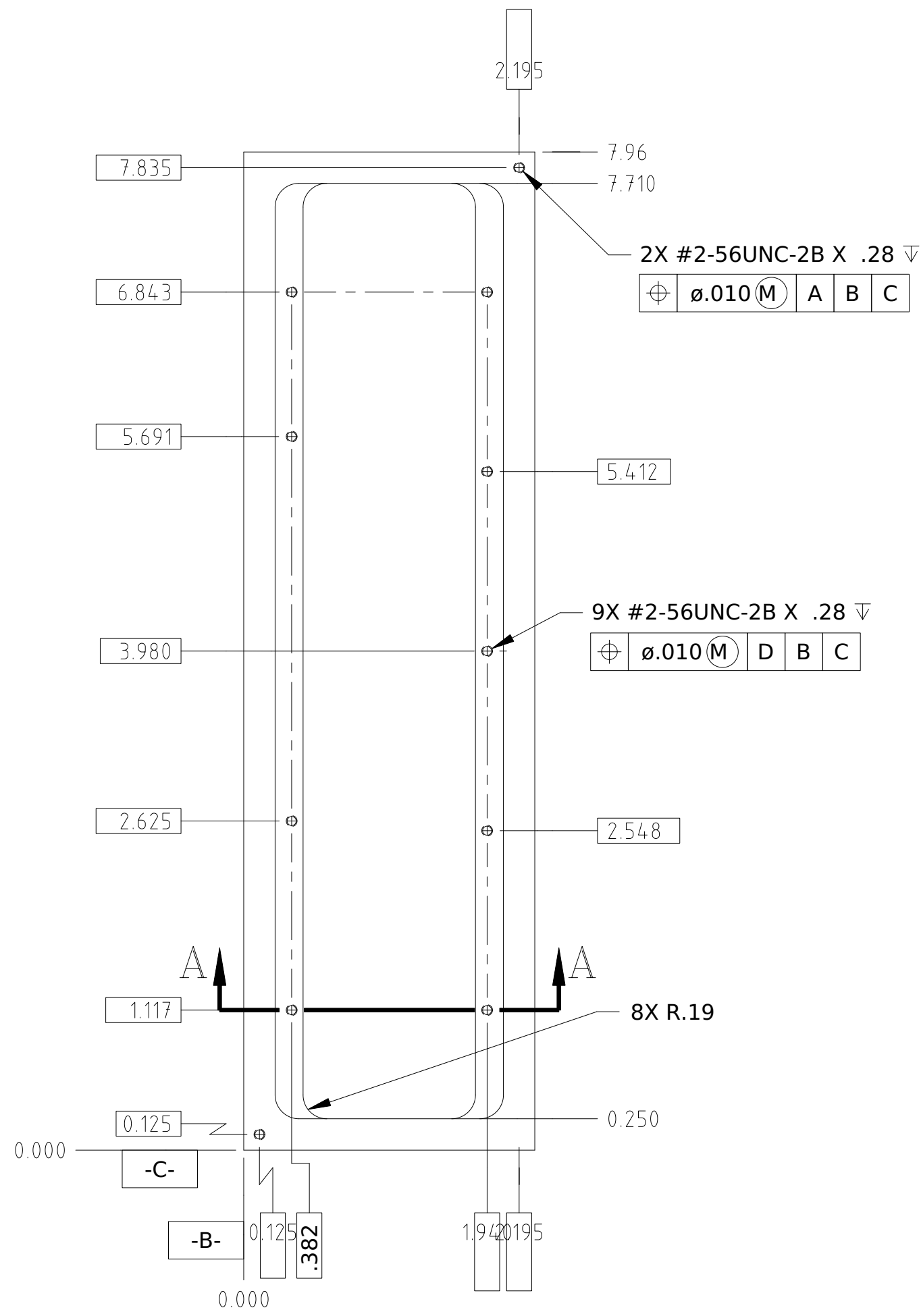
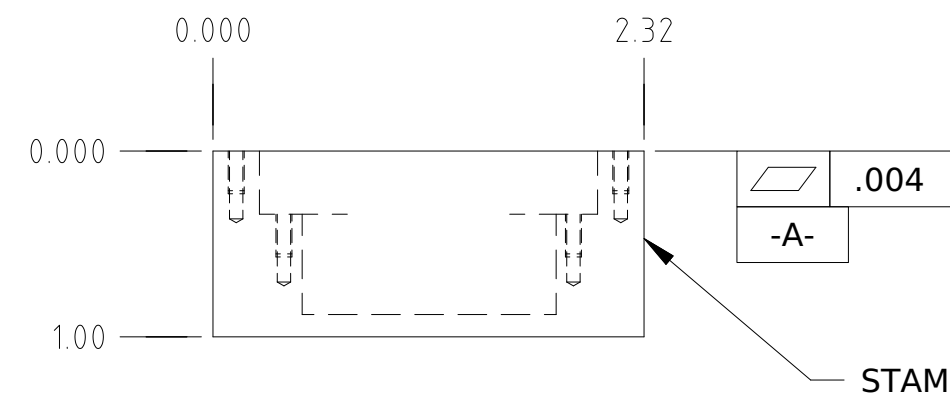


REVISIONS						
REV.	ECO NO.	DISCRIPTION		CHECKED	APPROVED	DATE
A	36-136	INITIAL RELEASE	PCT RFG	2/10/95		
B	36-176	ADD MISSING DIMENSIONS				



SECTION A-A



- NOTES:
1. MACHINED SURFACES 125 MAX.
 2. BREAK SHARP EDGES .01.

		UNLESS OTHERWISE SPECIFIED DIMENSIONS ARE IN INCHES TOLERANCE: ANGLES ± 1° 3 PLACE DECIMALS ± .005 2 PLACE DECIMALS ± .01	NAME	DATE	MASSACHUSETTS INSTITUTE OF TECHNOLOGY CENTER FOR SPACE RESEARCH CAMBRIDGE, MA 02139				
			DRAWN	J.COOK	1/23/95	STORAGE CONTAINER SPECTROMETER BASE			
		CHECKED	P.C.TAPPAN	2/9/95	SIZE				
		MATERIAL	APPROVED	R.F.GOEKE	2/10/95	C	80230	36-60201.01	B
36-60201	ACIS	303 S.ST	RELEASED	K.TIBBETTS	2/10/94	SCALE	FULL	SHEET	1 OF 1
NEXT ASSEMBLY	USED ON		WEIGHT						
APPLICATION									