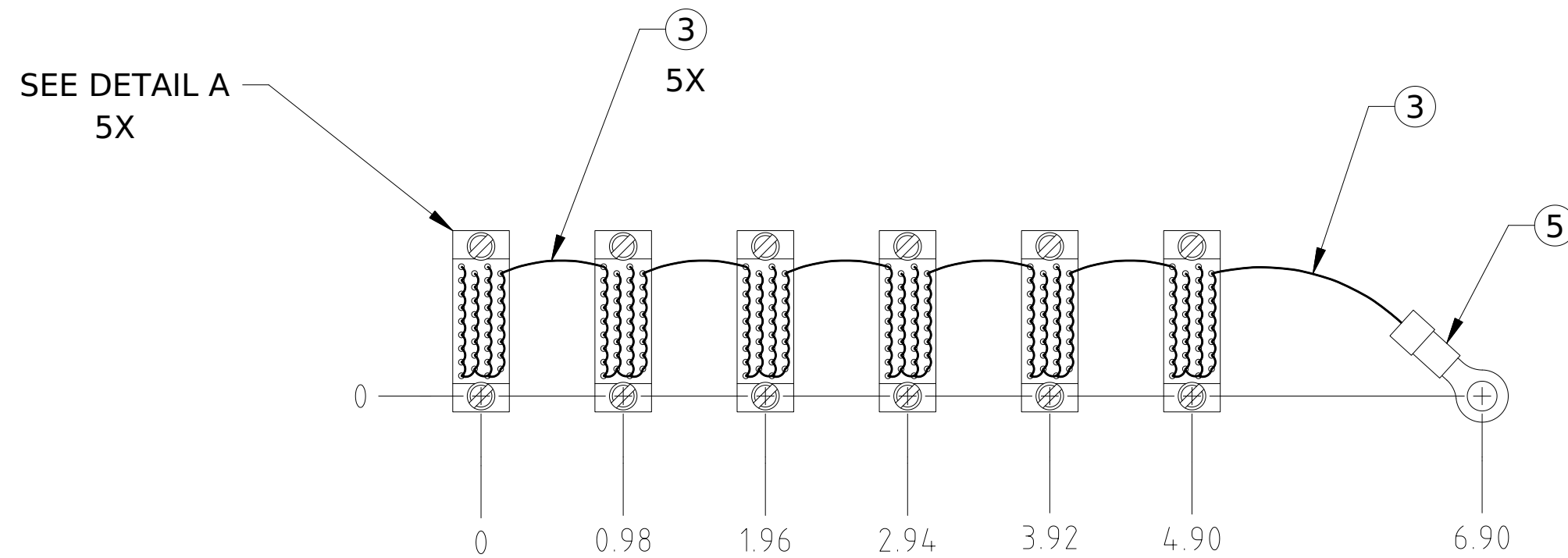
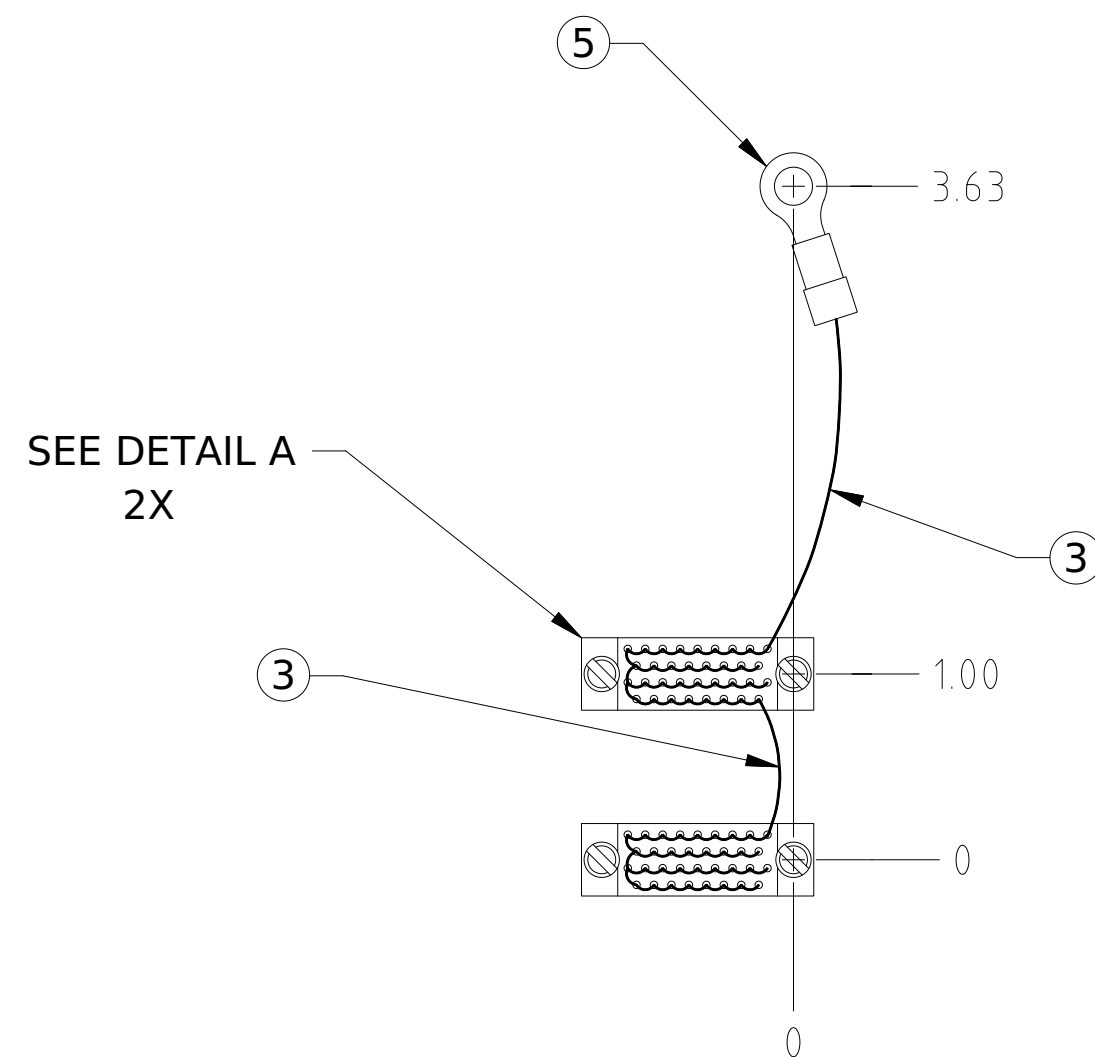


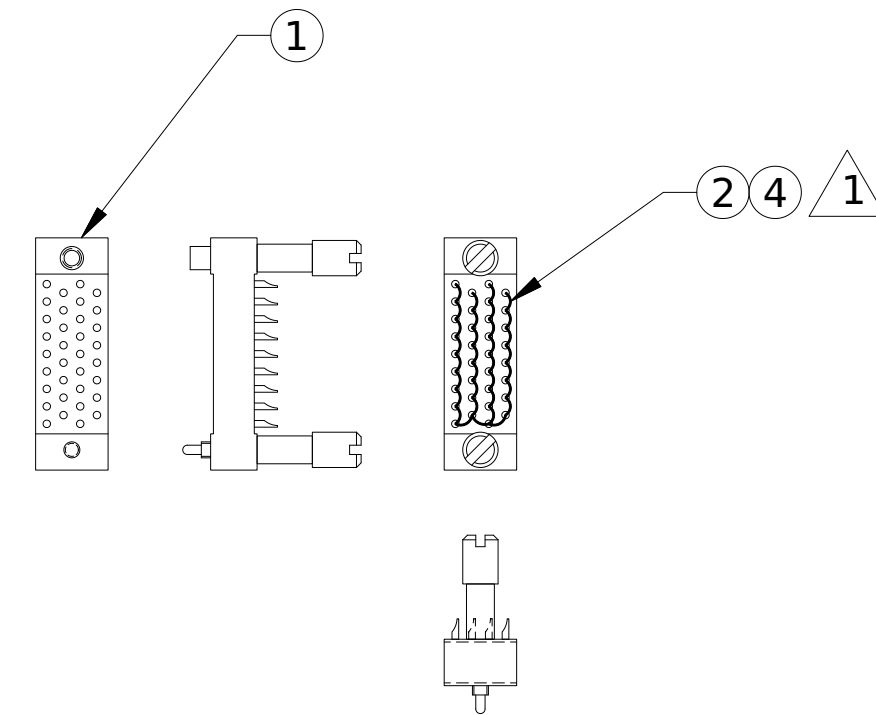
REVISIONS					
REV.	ECO NO.	DESCRIPTION	CHECKED	APPROVED	DATE
01	36-207	PRELIMINARY RELEASE			



36-60101.02



2X 36-60101.01



DETAIL A

NOTES:

- 1 ALL CONTACTS TO BE CONNECTED TOGETHER WITH BUS WIRE AND SOLDERED.

		UNLESS OTHERWISE SPECIFIED DIMENSIONS ARE IN INCHES TOLERANCE: ANGLES $\pm 1^\circ$ 3 PLACE DECIMALS $\pm .005$ 2 PLACE DECIMALS $\pm .01$	NAME	DATE	MASSACHUSETTS INSTITUTE OF TECHNOLOGY CENTER FOR SPACE RESEARCH CAMBRIDGE, MA 02139		
			DRAWN	H.C.WEST	4APR95	CCD SHORTING PLUG SET	
		MATERIAL	SEE DATABASE	CHECKED	SIZE C CAGE CODE 80230 DWG. NO. 36-60101 REV. 01		
		ACIS		APPROVED			
NEXT ASSEMBLY	USED ON	INTERPRET DIMENSIONS AND TOLERANCES IAW ANSI Y14.5M-1982	WEIGHT	RELEASED			
APPLICATION							