

8 7 6 5 4 3 1

NOTES

- ▽ STENCIL SERIAL NUMBER WITH .09 HIGH CHARACTERS. USE Y817 INK IN A CONTRASTING COLOR PER EPS45007. LOCATE APPROXIMATELY AS SHOWN.
- ▽ MAINTAIN TRACEABILITY RECORDS.
- ▽ MAINTAIN TRACEABILITY RECORDS ON ALL MATERIALS FURNISHED BY THIS PROCESS EXCEPT FOR PROCESS CONSUMABLE MATERIALS.
- ▽ THIS IS AN ELECTROSTATIC SENSITIVE DEVICE AND/OR ASSEMBLY. PROTECT PER STP75025.
- ▽ INSTALL FASTENERS PER EPS35037. TORQUE TO THE SPECIFIED VALUE PER EPS35100.
- ▽ BOND PER STP60088, TYPE 3.
- 7. SOLDER COMPONENTS PER STP87100.
- ▽ APPLY K184E CONFORMAL COAT TO BOTH SIDES OF ASSEMBLY PER STP85507, TYPE 4. MOUNTING HOLE AREA TO BE FREE OF CONFORMAL COAT.
- ▽ NOT USED
- ▽ POTENTIALLY EXPLOSIVE PART. QUALITY VERIFICATION REQUIRED FOR CATHODE BAND FOR DIODES AND POLARITY MARKING OF TANTALUM CAPACITORS.
- ▽ ASSEMBLE CONNECTORS PER STP85250-18.
- ▽ SLEEVE COMPONENT BODY PER EPS85080 USING F237XXXX SLEEVING.
- ▽ SUBSTITUTE PARTS ALLOWED FOR ENGINEERING UNIT. SEE SUBSTITUTE PARTS DRAWING.
- ▽ NOT USED.
- ▽ STRING TIE WIRE BUNDLE PER STP 85420 USING F411A TAPE. INSTALL SHRINK TUBE F2371910 OVER CABLE BUNDLE BEFORE STRING TIE.

- ▽ CUT CIRCUIT TRACE PER MP85510-2.
- ▽ TERMINATE PART LEAD TO PART LEAD POST TERMINAL PER MP85510-4, CLASS C.
- ▽ TERMINATE JUMPER WIRE TO COMPONENT PER MP85510-5, CLASS B.
- ▽ BOND PART IN PLACE AND TERMINATE PART LEAD AND JUMPER WIRE PER MP85510-4, CLASS C.

DWG NO. 849AC406000		SH 1	REV -
REVISIONS			
ZONE	REV	DESCRIPTION	DATE APPROVED
-	-	PROTOTYPE RECORD RELEASE KT0001-043	

DEVELOPMENT

QTY/DASH NO	PART NUMBER	UM	ZONE	SH	EFF ON	DESCRIPTION	MATERIAL CODE	STOCK SIZE OR REF DES	MATERIAL OR SUPPLIER	MATERIAL SPECIFICATION	FINISH OR FSCM NO.	REV
	STP87100					SOLDERING, ELECTRICAL CONNECTIONS						
	STP75025					STATIC SENSITIVE DEVICES, PROTECTION OF						
	STP60088					BONDING, ADHESIVE, ELECTRICAL PARTS						
	EPS45007					IDENT & MARKING OF DETAIL PARTS & ASSEMBLIES						
	EPS85080					HEAT SHRINKABLE TUBING AND MOLDED PARTS						
	STP85250					CONNECTOR, ELECTRICAL, ASSY OF						
	EPS35100					TORQUE VALUES FOR BOLD-NUT ASSEMBLIES						
	EPS35037					BOLTS, SCREWS AND NUTS; INSTALLATION OF						
	STP85510					PWB, MODIFICATION OF						
	7 ST58D80-15					STANDOFF, .30 DIA						
	2 ST58D80-16					STANDOFF, .40 DIA						
	2 896AC400037-001					SCREW						
	2 MS15795-803					WASHER, FLAT						
	2 MS24043-04					NUT						
	AR E4952600					WIRE, MAGNET	26 AWG	JP1-JP8		J-W-1177/14		
	1 RWR81S5620FS					RESISTOR		R9		OPL		
	1 RWR81S1470FS					RESISTOR		R8		OPL		
	2 RLR07C8060FS					RESISTOR		R3,R16		OPL		
	1 RLR07C6980FS					RESISTOR		R1		OPL		
	1 RLR07C6040FS					RESISTOR		R15		OPL		
	4 RLR07C4990FS					RESISTOR		R5,R6,R21,R29		OPL		
	2 RLR07C3161FS					RESISTOR		R10,R23		OPL		
	4 RLR07C2210FS					RESISTOR		R4,R12,R18,R26		OPL		
	6 RLR07C2001FS					RESISTOR		R7,R11,R13,R20,R24,R25		OPL		
	1 RLR07C2000FS					RESISTOR		R14		OPL		
	2 RLR07C1501FS					RESISTOR		R17,R22		OPL		
	3 RLR07C1002FS					RESISTOR		R19,R27,R28		OPL		
	1 RLR07C1001FS					RESISTOR		R2		OPL		
	4 M123A02BXC391KC					CKS06BXC391KC CAPACITOR		C1,C10,C11,C15		OPL		
	15 M123A02BXC104KC					CKS06BXC104KC CAPACITOR		C2-C5,C7-C9,C12-C14,C16-C20		OPL		

QTY/DASH NO	PART NUMBER	UM	ZONE	SH	EFF ON	DESCRIPTION	STOCK SIZE OR REF DES	MATERIAL OR SUPPLIER	MATERIAL SPECIFICATION	FINISH OR FSCM NO.	REV
	1 K98/127CPV32MCTH					CONNECTOR, 98 PIN		J1			
	2 DCHAM37S					CONNECTOR, 37 PIN		P1,P2			
	74 3401 005 018 (SOURIAU)					PINS, CRIMP		P1,P2			
	1 8/106-077					CAPACITOR, BLOCK,5.6UF		C6	AVX		
	1 JANTXVR2N4150					2N4150		Q2	OPL		
	3 JANTXVR2N2907A					2N2907A		Q1,Q5,Q8	OPL		
	4 JANTXVR2N2222A					2N2222A		Q3,Q4,Q6,Q7	OPL		
	6 JANTXV1N5811					1N5811		CR1,CR2,CR3,CP5,CR6,CR14	OPL		
	2 JANTXV1N5711					1N5711		CR10,CR12	OPL		
	6 JANTXV1N4148-1					1N4148-1		CR4,CR7,CR8,CR9,CR11,CR13	OPL		
	2 8102802PA					IC HCPL-5631		U2,U8	OPL		
	1 M38510R11703BXA					IC LM117H		U3	OPL		
	4 HCS165MSD					IC 54HCR165J		U1,U5,U6,U7	OPL		
	1 HCS86MSD					IC 54HCR86J		U4	OPL		
	X 849AC406001					SCHMATIC					
	1 849AC406035-009					PRINTED WIRING BOARD					
	X -009					CIRCUIT CARD ASSEMBLY					

1 1 REV REV STATUS OF SHEETS
2 1 SH

PARTS LIST

INTERPRET DWG PER DDD-STD-100 UNLESS OTHERWISE SPECIFIED. DIMENSIONS ARE IN INCHES UNLESS OTHERWISE SPECIFIED. DIMENSIONS AND ARE AFTER PLATING. TOLERANCES ON:

DECIMALS	ANGLES	HOLE POSITION	POSITION
.1 .01 .005 ±.5	±.5	±.015	±.015

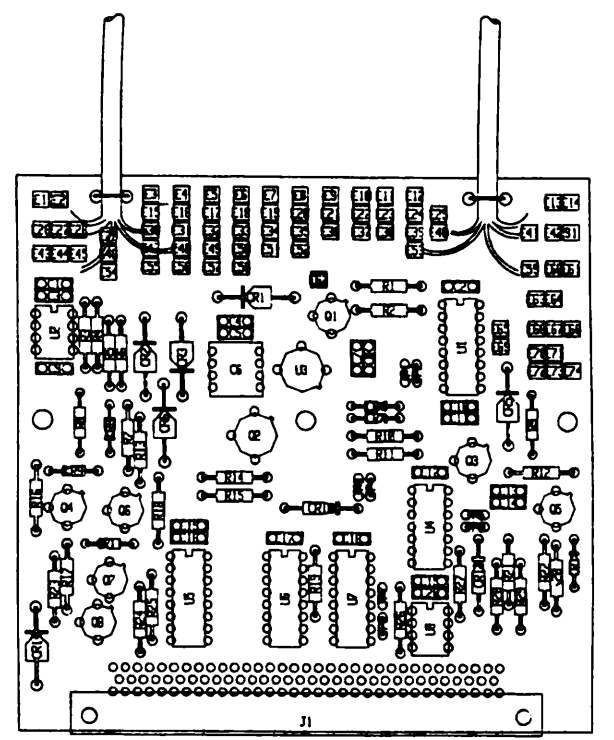
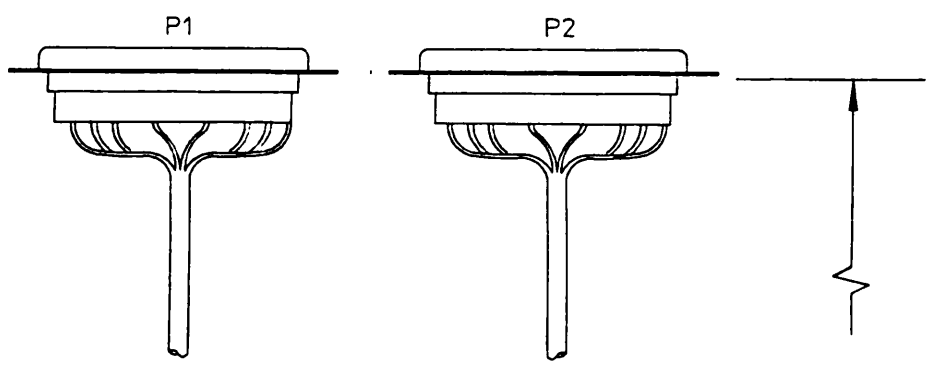
EU 1 & UP -009 849AC400000 2

MARTIN MARIETTA CORPORATION
DENVER ASTRONAUTICS
POB: OFFICE BOX 179, DENVER, COLORADO 80201
CIRCUIT CARD ASSEMBLY
SERIAL DIGITAL INTERFACE
SCALE NONE
1 OF 3

DWG NO		849AC406000		SH	2	REV	-	1	
REVISIONS									
ZONE	REV	DESCRIPTION				DATE	APPROVED		
-	-	PROTOTYPE RECORD RELEASE KT0001-043							

WIRE LIST
ALL WIRE E7542209

FROM	TO	REMARKS
P1.01	E16	J1.25 (DEA PS DIS)
P1.02	E28	J1.6 (DEA +/- 15V RTN TP)
P1.03	E34	J1.26 (DEA PS CMD RTN)
P1.04	E47	J1.16 (DEA 24V TP)
P1.05	E48	J1.27 (DEA PS ENA)
P1.06	E57	J1.24 (DEA PS ON)
P1.07	E50	J1.19 (POS 15V ANALOG TLM)
P1.08	E18	J1.23 (DEA PS OFF)
P1.09	E30	J1.21 (28V ANALOG TLM)
P1.10	-	(DEA PS CT TP)
P1.11	E4	STATUS BIT 18 (DEA PS ON/OFF STATUS)
P1.12	E62	STATUS BIT 17 (OVP)
P1.13	E52	STATUS BIT 19 (OCP)
P1.14	E5	STATUS BIT 31 (DEA SP ENA/DIS STATUS)
P1.15	E6	J1.22 (DEA PS VIN TLM)
P1.16	E45	J1.12 (DEA PS DB ON TP)
P1.17	---	(DEA PS STATUS RTN)
P1.18	E56	STATUS BIT 30 (DEA PS DB ON STATUS)
P1.19	E58	J1.31 (ANALOG TLM RTN)
P1.20	E5	J1.17 (DEA PS IIN TLM TP)
P1.21	E49	J1.30 (DEA PS INPUT CUR TLM)
P1.22	E26	J1.1 (DEA PS SYNC)
P1.23	E32	J1.29 (DEA PS NEG 5V TLM TP)
P1.24	E1	J1.3 (DEA PS SYNC RTN)
P1.25	E20	J1.28 (NEG 15V ANALOG TLM)
P1.26	E17	J1.18 (24V ANALOG TLM)
P1.27	E46	J1.5 (DEA 24V RTN TP)
P1.28	E43	J1.9 (DEA VDRAIN TP)
P1.29	E54	J1.11 (DEA PS VIN TP)
P1.30	E44	J1.8 (DEA PGND TP)
P1.31	E31	J1.7 (DEA VGATE TP)
P1.32	E8	J1.20 (POS 5V ANALOG TLM)
P1.33	E27	J1.4 (DEA +5V TP)
P1.34	E29	J1.10 (DEA +/- 5V RTN TP)
P1.35	E55	J1.13 (DEA -5V TP)
P1.36	E3	J1.14 (+15V TP)
P1.37	E15	J1.15 (DEA -15V TP)
P2.01	E10	J1.80 (DPA PS ENA)
P2.02	E64	J1.94 (DRAIN TP)
P2.03	E60	J1.97 (DPA PS CT TP)
P2.04	E37	J1.81 (DPA +5V OUT TLM)
P2.05	E38	J1.79 (DPA PS DIS)
P2.06	E39	J1.82 (P5SDPO RTN TP)
P2.07	E23	J1.83 (I2VHK TP)
P2.08	E40	J1.84 (P5SDPO TP)
P2.09	E22	J1.78 (DPA PS ON)
P2.10	E63	STATUS BIT 28 (DPA PS ENA/DIS STATUS)
P2.11	E24	J1.77 (DPA PS OFF)
P2.12	E69	STATUS BIT 25 (OVP STATUS)
P2.13	E42	J1.81 (DPA PS IN CURR TLM RTN TP)
P2.14	E13	J1.73 (DPA PS CMD RTN)
P2.15	E25	J1.87 (VID TP)
P2.16	E12	J1.74 (DPA PS INPUT CURRENT TLM RTN)
P2.17	E70	J1.85 (DPA PGND TP)
P2.18	E41	J1.86 (DPA PS +5V TP)
P2.19	E72	J1.92 (DPA PS +5V RTN TP)
P2.20	E14	J1.98 (DPA PS SYNC)
P2.21	E59	J1.96 (DPA PS SYNC RTN)
P2.22	---	SPARE
P2.23	---	SPARE
P2.24	---	SPARE
P2.25	---	SPARE
P2.26	---	(DPA PS STATUS RTN)
P2.27	---	SPARE
P2.28	---	SPARE
P2.29	E66	STATUS BIT 26 (OCP STATUS)
P2.30	E68	J1.91 (DPA PS VIN TP)
P2.31	E11	J1.75 (DPA PS INPUT CURRENT TLM)
P2.32	E53	STATUS BIT 29 (DPA PS DB ON STATUS)
P2.33	E71	J1.88 (DPA PS ENA TP)
P2.34	E61	J1.76 (DPA PS INPUT VOLTAGE TLM)
P2.35	E73	J1.93 (VGATE TP)
P2.36	E65	STATUS BIT 27 (DPA PS ON/OFF STATUS)
P2.37	E67	J1.90 (DPA PS INPUT CUR TLM TP)
-	E7	UNCOMMITTED SPARE TERMINAL POINT
-	E35	STATUS BIT 32 (SPARE)



DEVELOPMENT

SIZE	CODE	DRAWING NO.	REV
D	04236	849AC406000	-
SCALE	2/1	SHEET	3