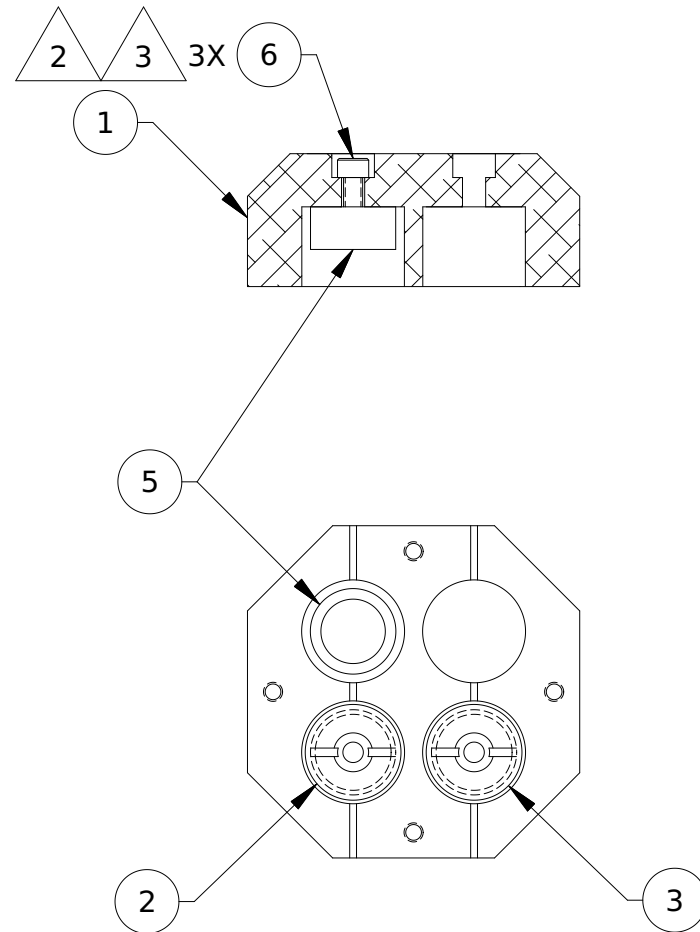


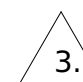
REVISIONS					
REV.	ECO NO.	DISCRIPTION	CHECKED	APPROVED	DATE
A36-864		INITIAL RELEASE	FJK	WFM	5/6/97
A36-947		DELETE F/N 4			



NOTES:

1. CLEAN F/N 1 & 6 PER 36-02027.

 2. TORQUE TO 5 IN LBS.

 3. SPOT BOND WITH F/N 7

		UNLESS OTHERWISE SPECIFIED DIMENSIONS ARE IN INCHES TOLERANCE: ANGLES $\pm 1^\circ$ 3 PLACE DECIMALS $\pm .005$ 2 PLACE DECIMALS $\pm .01$	NAME	DATE	MASSACHUSETTS INSTITUTE OF TECHNOLOGY CENTER FOR SPACE RESEARCH CAMBRIDGE, MA 02139				
			DRAWN	P. C. T.	2/20/97	<b>EXTERNAL CALIBRATION SOURCE SUBASSEMBLY</b>			
			CHECKED	F. Kasparian	5/6/97				
			APPROVED	W. Mayer	5/6/97				
		MATERIAL	RELEASED	D. Gage	5/6/97	SIZE	FSCM NO.	DWG. NO.	REV.
36-40200	ACIS		WEIGHT			B	80230	36-40212	B
NEXT ASSEMBLY	USED ON					SCALE 1/1		SHEET 1 OF 1	
APPLICATION									