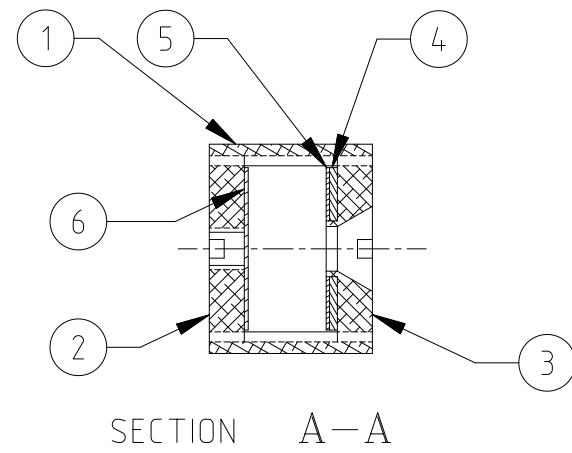
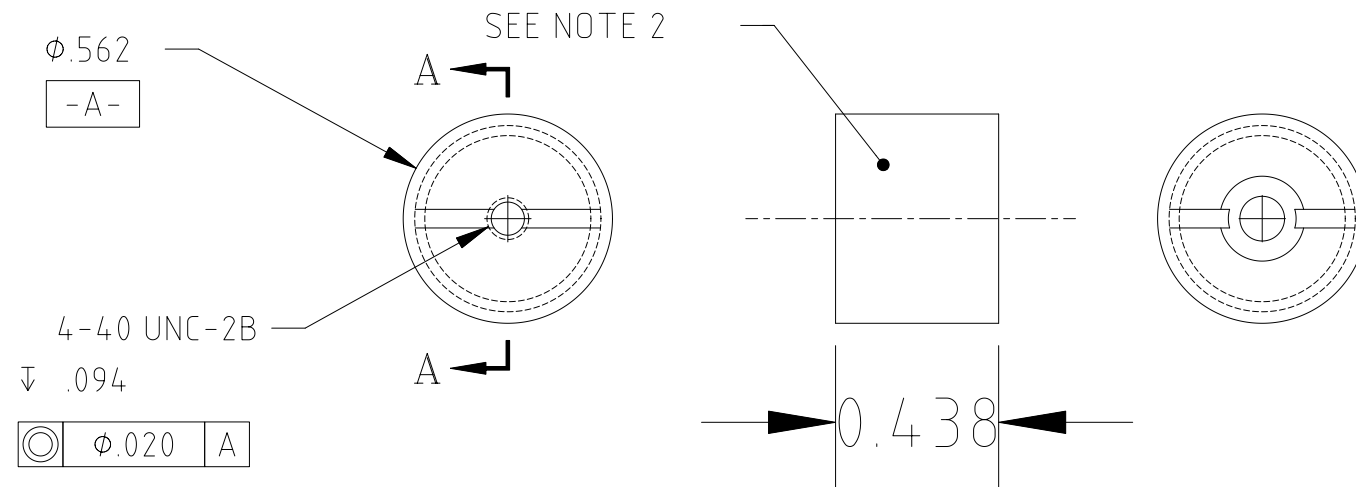


REVISIONS					
REV.	ECO NO.	DESCRIPTION	CHECKED	APPROVED	DATE
A	36-864	INITIAL RELEASE	F. J. K.	W. F. M.	5/6/97
B	36-890	was NICKEL is COPPER			



PART NO.	TARGET
36-40212.02	ALUMINUM
36-40212.03	TITANIUM
36-40212.04	COPPER



NOTES:

- REFERENCES ARE TO 36-02352.
- MARK PER PARA 3.6.2.
- BOND F/N 6 TO F/N 2 USING F/N 7.
- BOND F/N 5 TO F/N 4 AND F/N 4 TO F/N 3 USING F/N 7.
- ASSEMBLE F/N 2 INTO F/N 1 FLUSH AS SHOWN AND SPOTBOND WITH F/N 7 IN SLOT.
- ASSEMBLE F/N 3 INTO F/N 1 AND ADJUST GAP. SPOTBOND WITH F/N 7 IN SLOT.

		UNLESS OTHERWISE SPECIFIED DIMENSIONS ARE IN INCHES TOLERANCE: ANGLES $\pm 1^\circ$ 3 PLACE DECIMALS $\pm .005$ 2 PLACE DECIMALS $\pm .01$
36-40201	ACIS	
NEXT ASSEMBLY	USED ON	MATERIAL  AS NOTED
APPLICATION		

7	A/R	EPOXY	HYSOL EA 9394
6	1	TARGET	SEE TABLE
5	1	SOURCE	GOLD / Fe 55
4	1	SHIELD	TITANIUM
3	1	HOLDER	ALUMINUM 6061-T6
2	1	PLUG	ALUMINUM 6061-T6
1	1	BODY	ALUMINUM 6061-T6
FIND NO.	QTY REQD	NAME	MATERIAL

LIST OF MATERIALS

NAME		DATE	MASSACHUSETTS INSTITUTE OF TECHNOLOGY CENTER FOR SPACE RESEARCH CAMBRIDGE, MA 02139			
DRAWN	P.C.Tappan	2/4/97	Fe55 LOW ENERGY SOURCE ASSEMBLY			
CHECKED	F. J. K.	5/6/97				
APPROVED	W. F. M.	5/6/97				
RELEASED						
WEIGHT			SIZE B	CAGE CODE 80230	DWG. NO. 36-40212.02	REV. B
SCALE			2/1	SHEET		1 OF 1