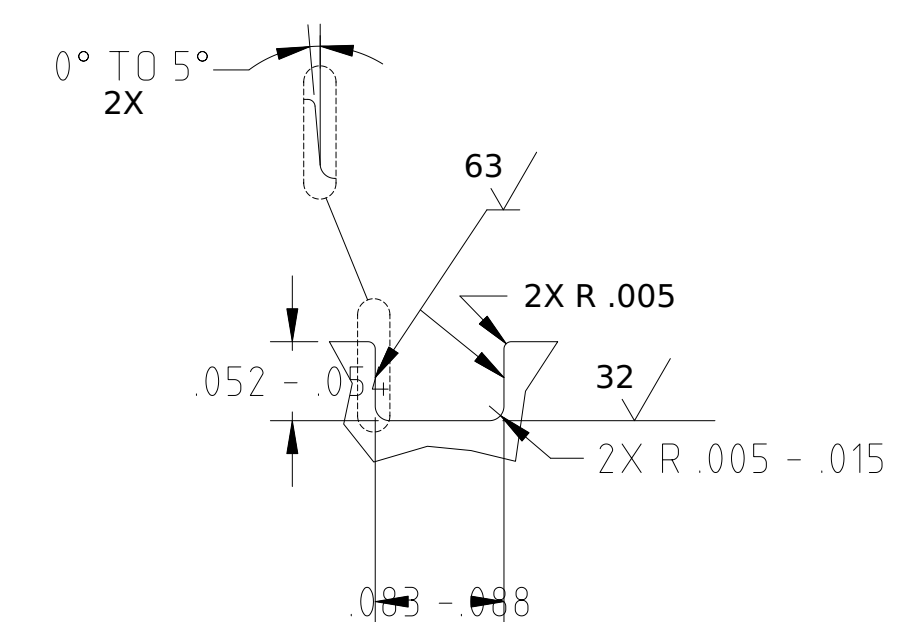
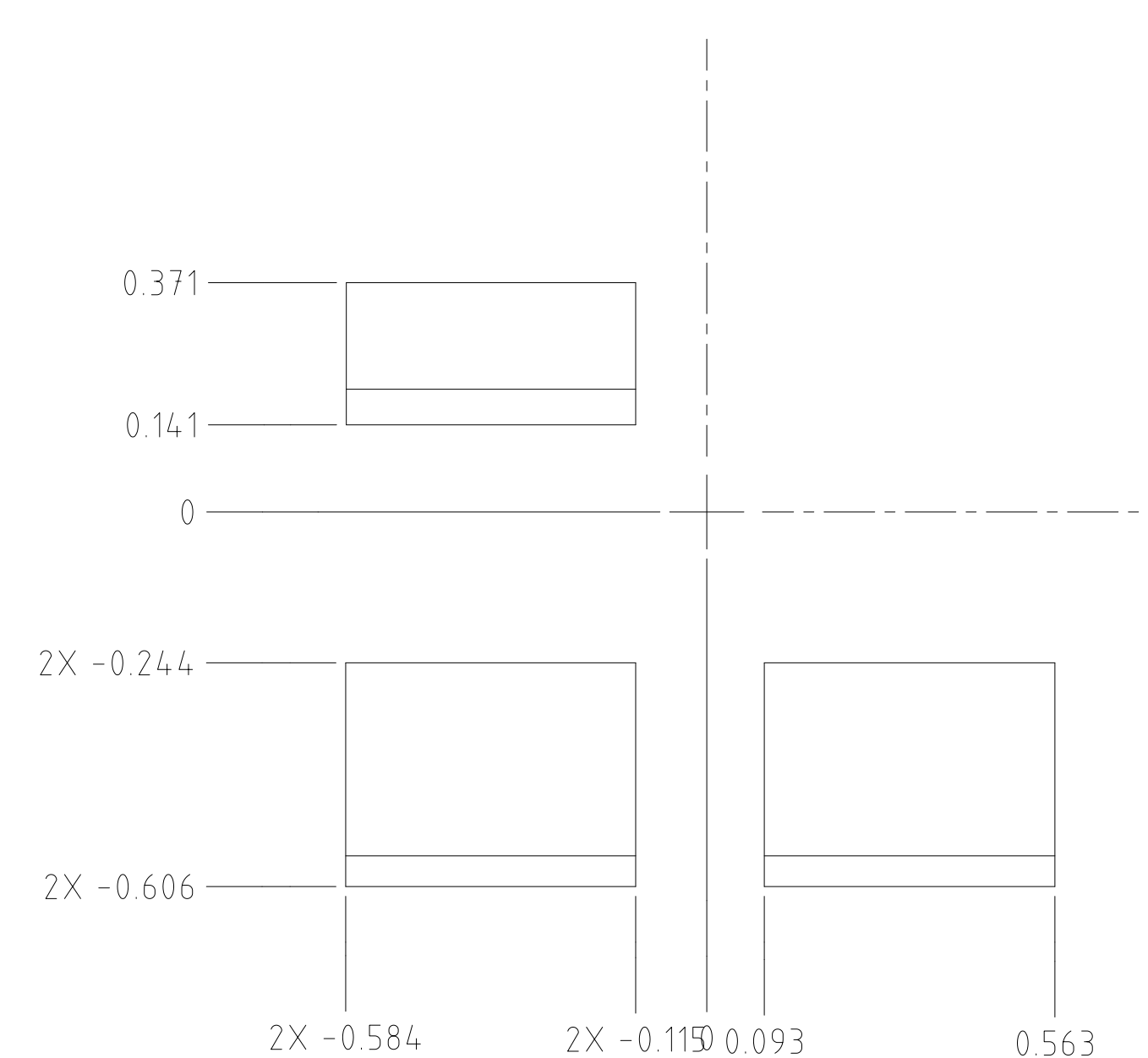
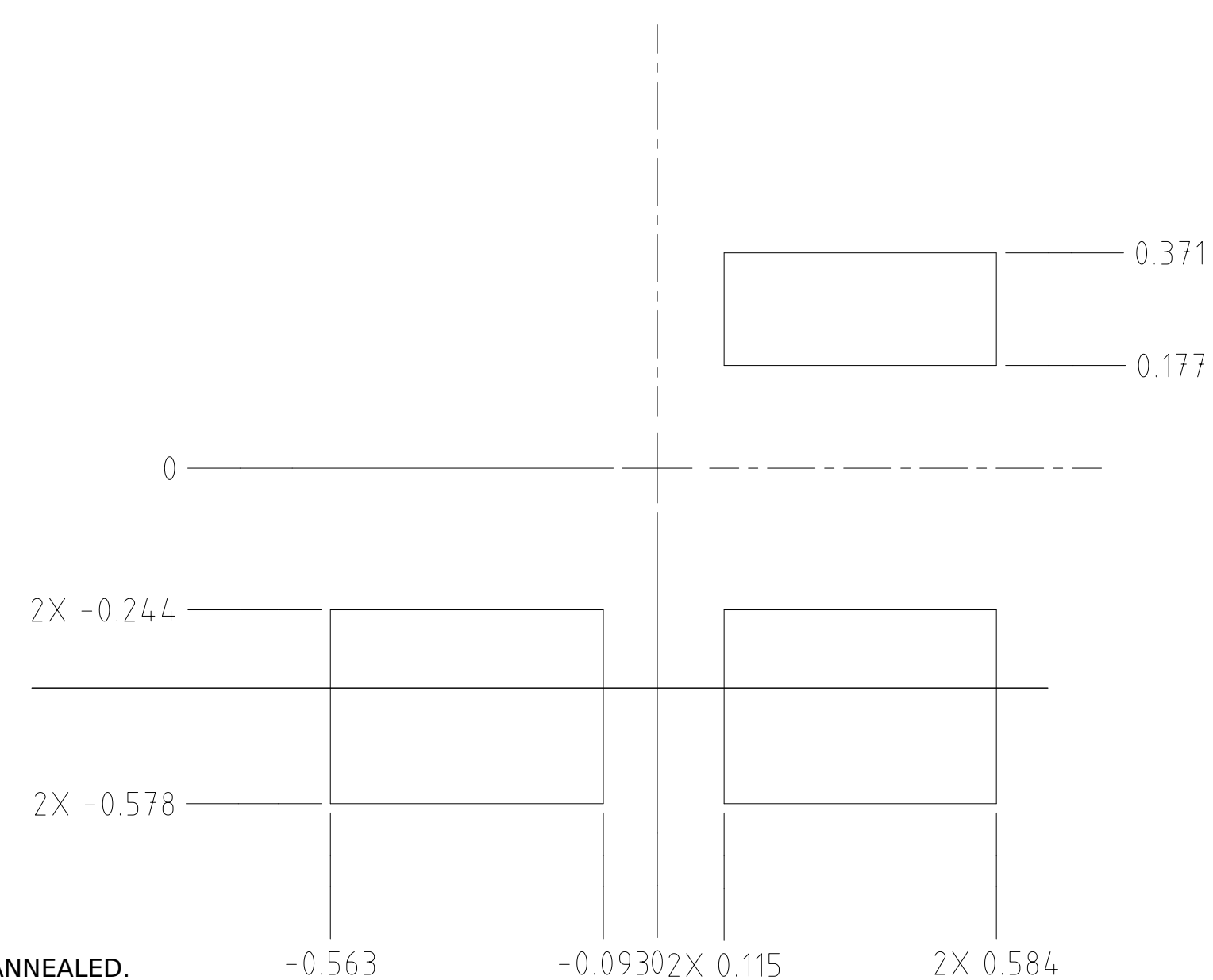
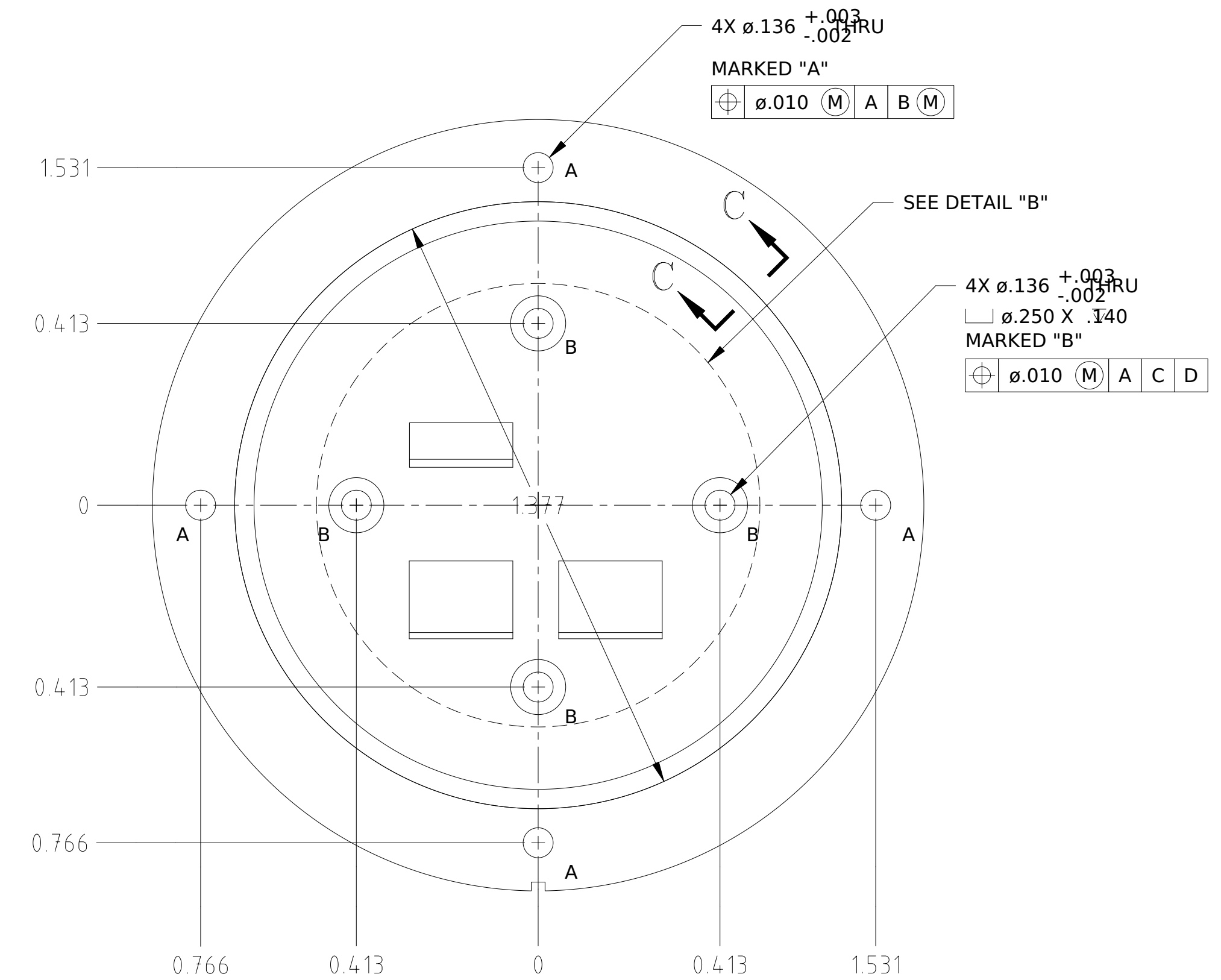
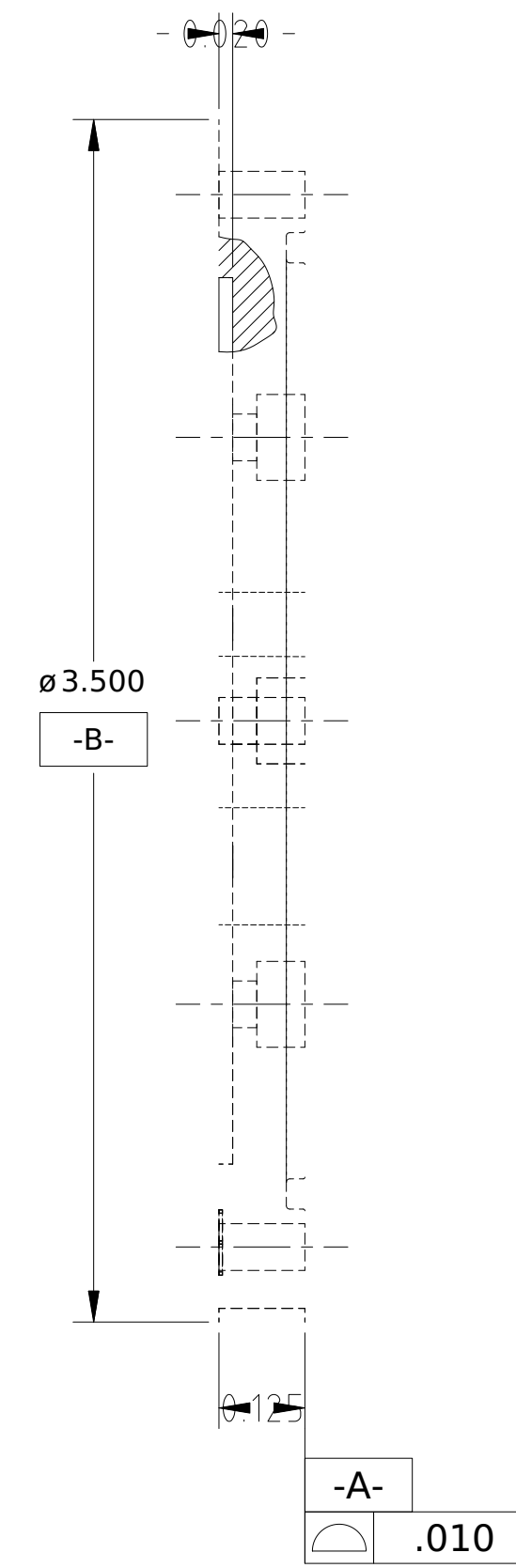
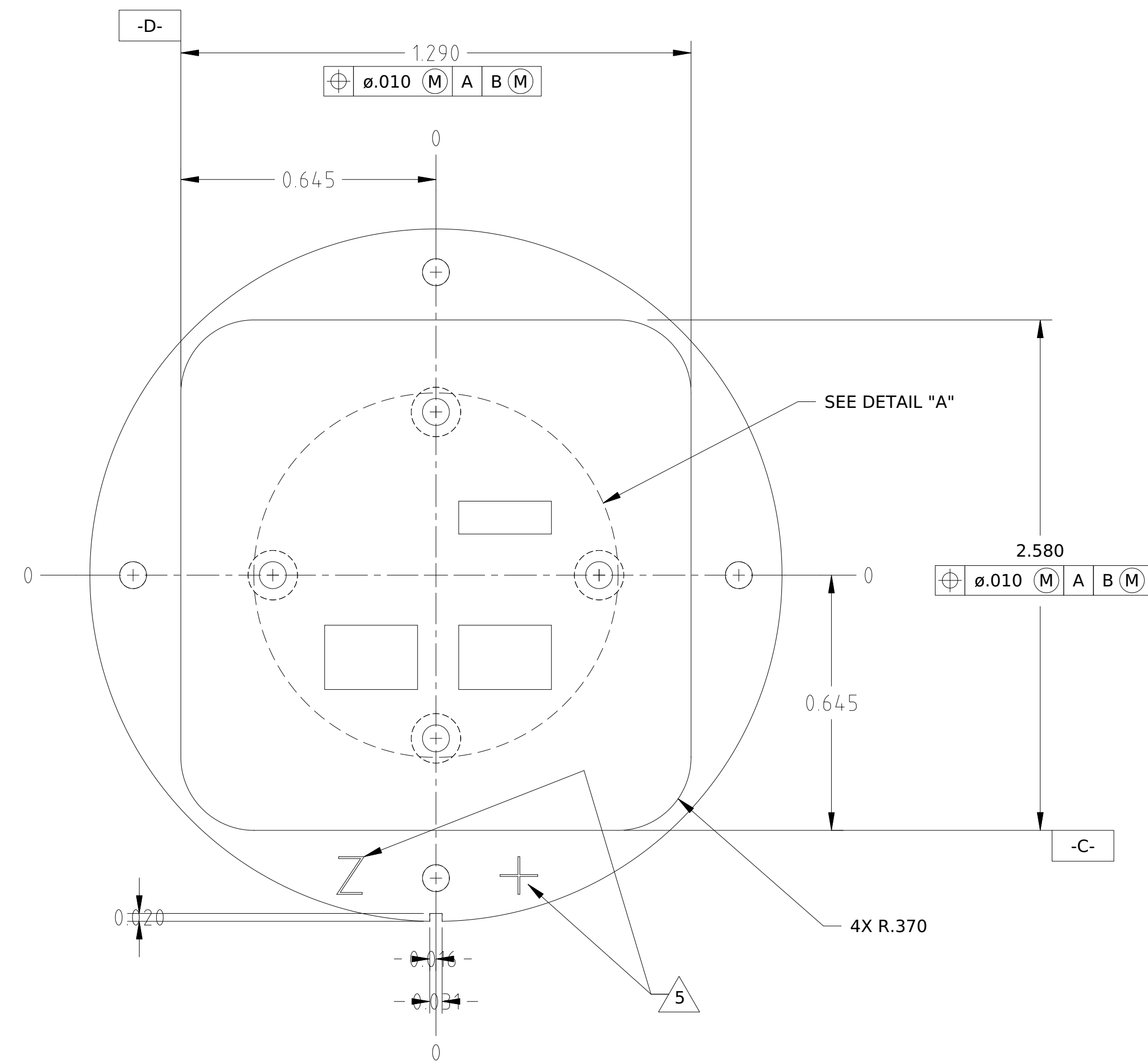


REVISIONS					
REV.	ECO NO.	DISCRIPTION	CHECKED	APPROVED	DATE
A	36-539	INITIAL RELEASE	PCT	RFG	4/12/96
B	36-947	ENLARGE COLLIMATOR HOLES	FJK	WFM	7/29/97



SECTION C-C  
ROTATED 45° CCW  
SCALE: 8/1

- NOTES:
1. MATERIAL: TITANIUM 6AL-4V ANNEALED.
  2. MACHINED SURFACES 125 MAX. EXCEPT AS NOTED.
  3. BREAK SHARP EDGES .01 RADIUS.
  4. ENGRAVE .19 HIGH APPROX WHERE SHOWN.

DETAIL A

SCALE: 4/1

DETAIL B

SCALE: 4/1

36-40200	ACIS	SEE NOTE 1
NEXT ASSEMBLY	USED ON	INTERPRET DIMENSIONS AND TOLERANCES IAW ANSI Y14.5M-1982
APPLICATION		

NAME	DATE	MASSACHUSETTS INSTITUTE OF TECHNOLOGY	
DRAWN J. COOK	9/14/94	CENTER FOR SPACE RESEARCH	
CHECKED P.C. Tappan	4/12/96	CAMBRIDGE, MA 02139	
APPROVED R. Goeke	4/12/96	EXTERNAL CALIBRATION SOURCE MOUNTING PLATE	
RELEASED J. Repec	4/12/96		
SIZE	FSCM NO.	DWG. NO.	REV.
D	80230	36-40204	B
SCALE	2/1	SHEET	1 OF 1