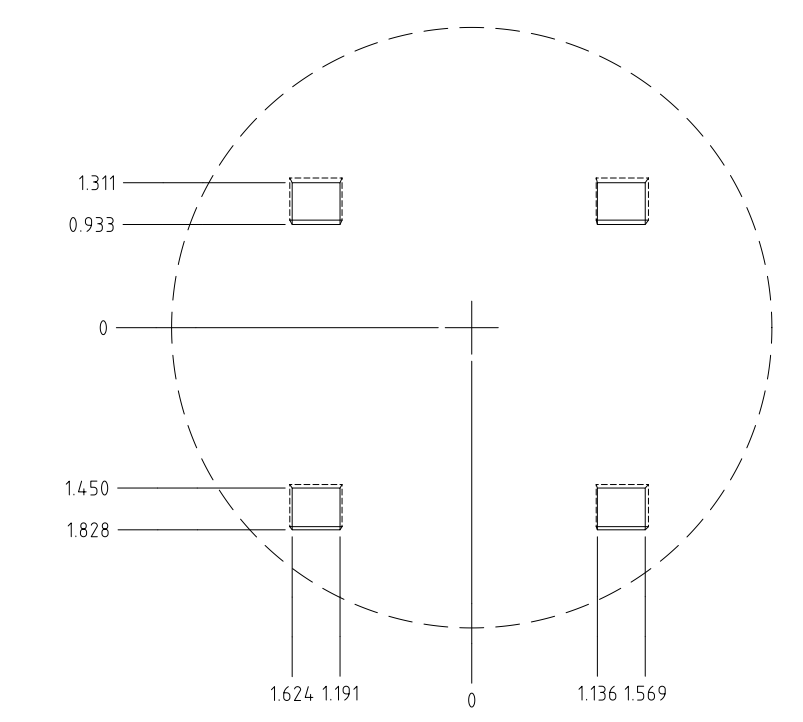
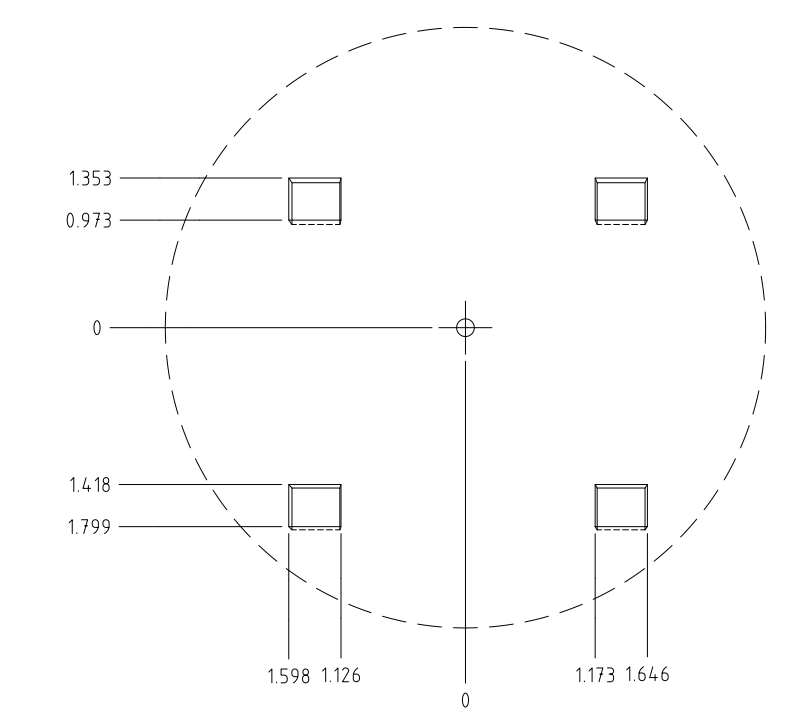
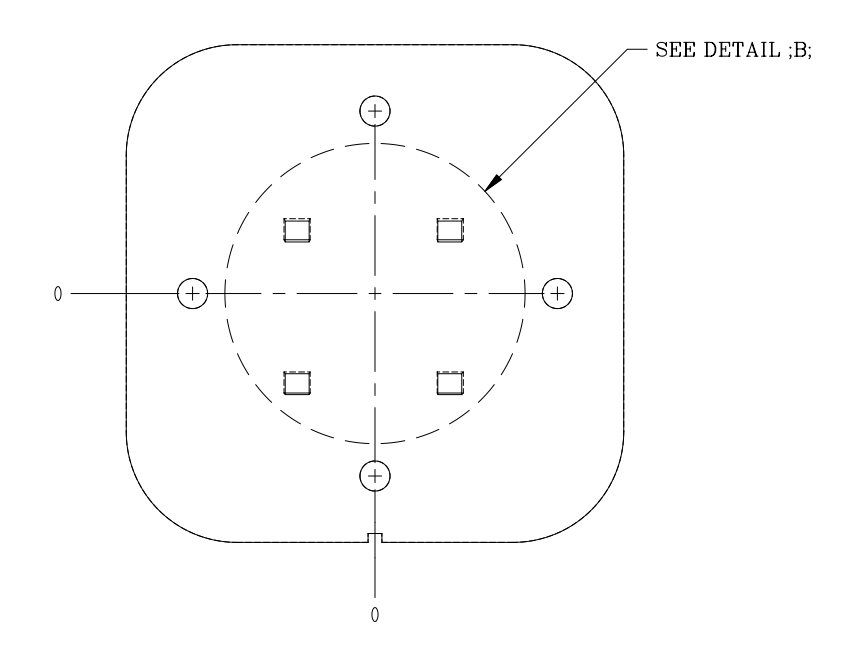
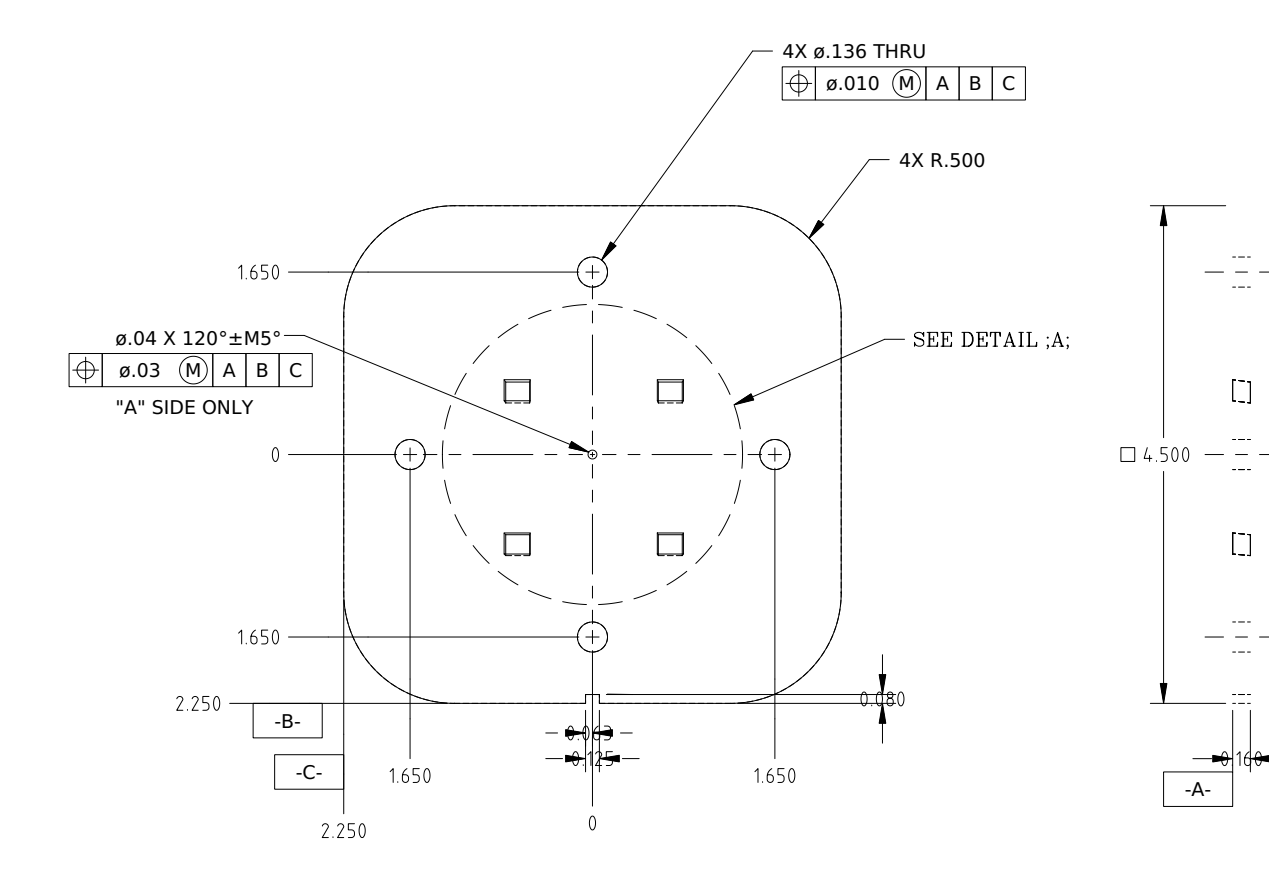


REV	DESCRIPTION	DATE
A	INITIAL RELEASE	PCT
B	SEE ECO 36-487	BFG 4/8/06



DETAIL A  
SCALE: 4/1

DETAIL B  
SCALE: 4/1

- NOTES:**
- MATERIAL: CDA1450 HD. CU ROD PER ASTM B301.
  - MACHINED SURFACES 125 MAX. EXCEPT AS NOTED.
  - BREAK SHARP EDGES .01 RADIUS.

NAME	DATE	MASSACHUSETTS INSTITUTE OF TECHNOLOGY
DESIGNER	J. COOK	CENTER FOR SPACE RESEARCH CAMBRIDGE, MA 02139
APPROVED	J. COOK	EXTERNAL CALIBRATION SOURCE
DATE	1/18/06	COPPER PLATE
REV	D	80230
DATE	2/2	36-40203
REV		1 OF 1