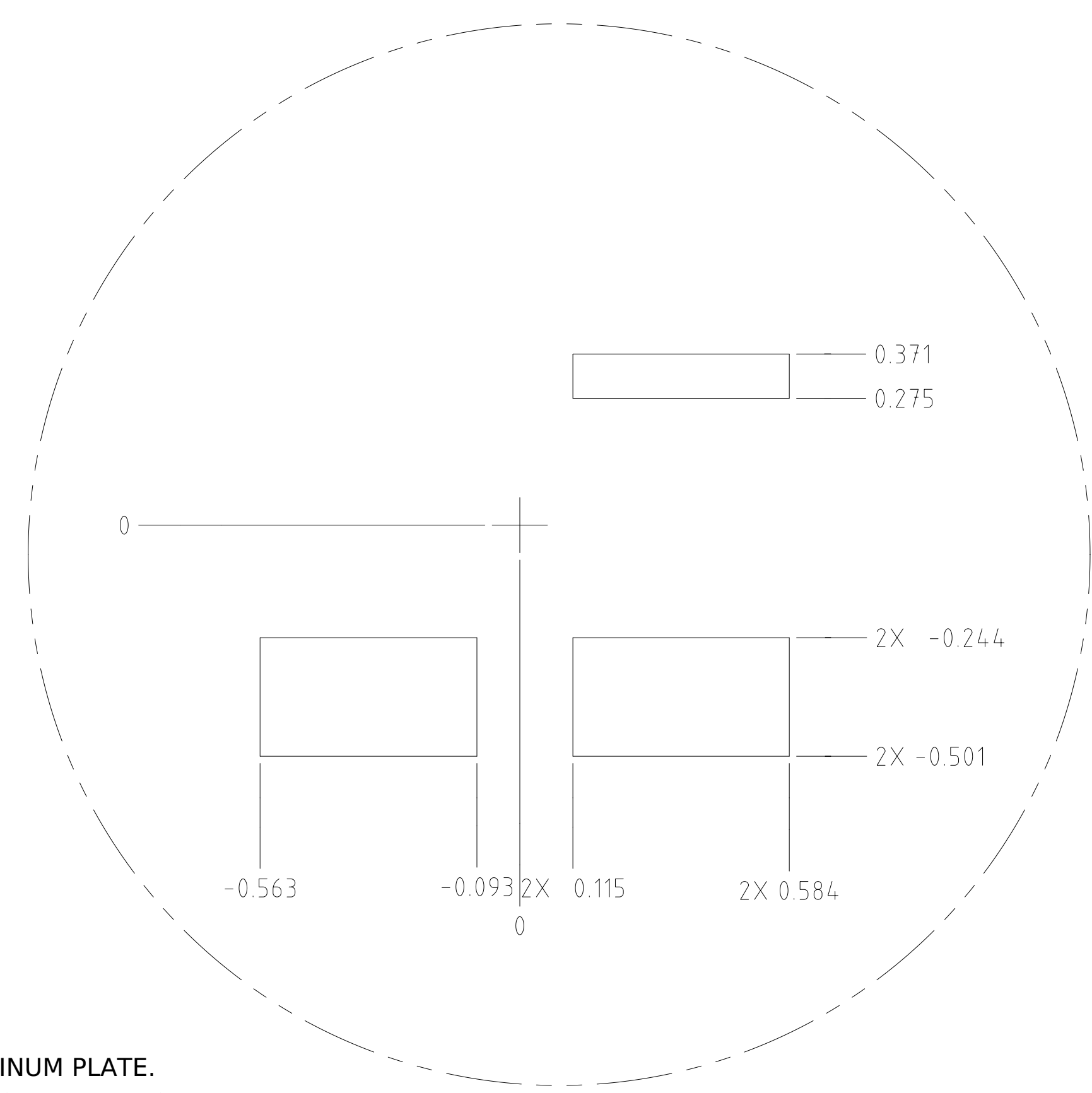
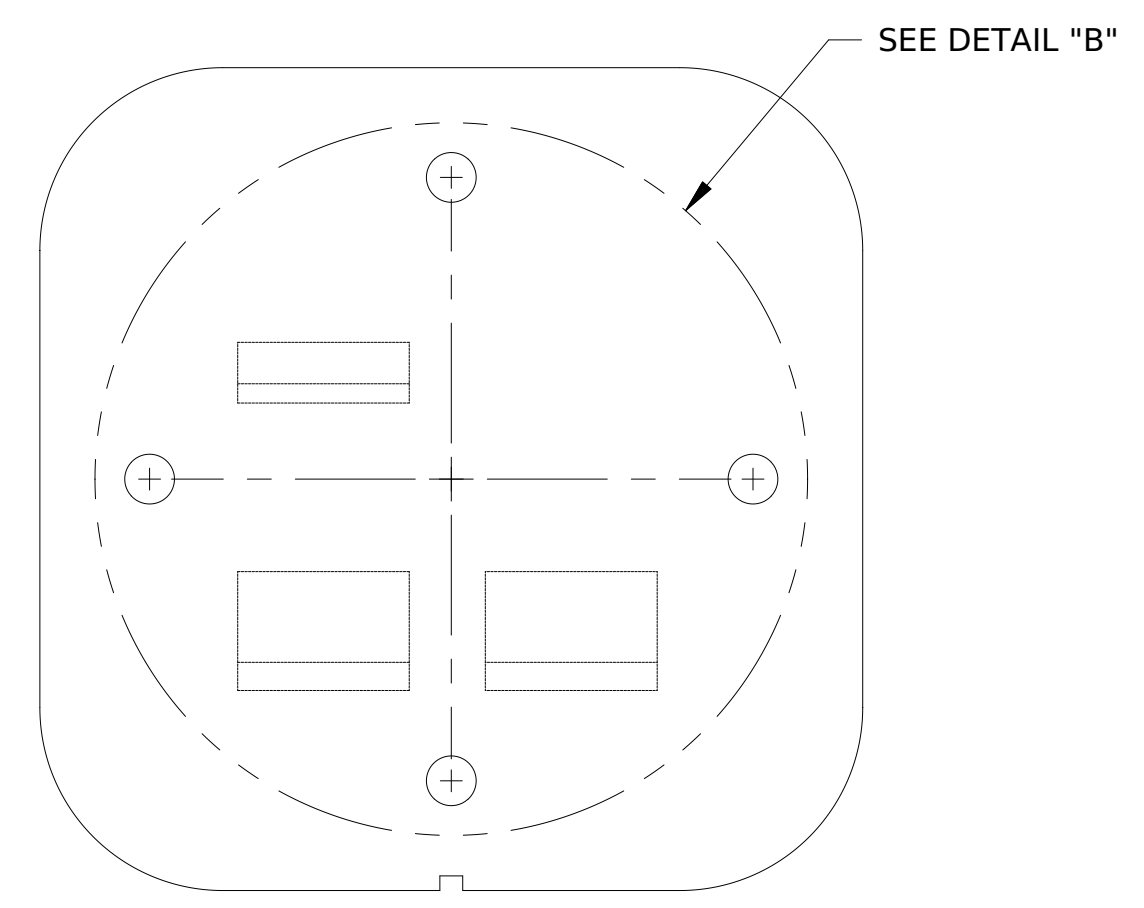
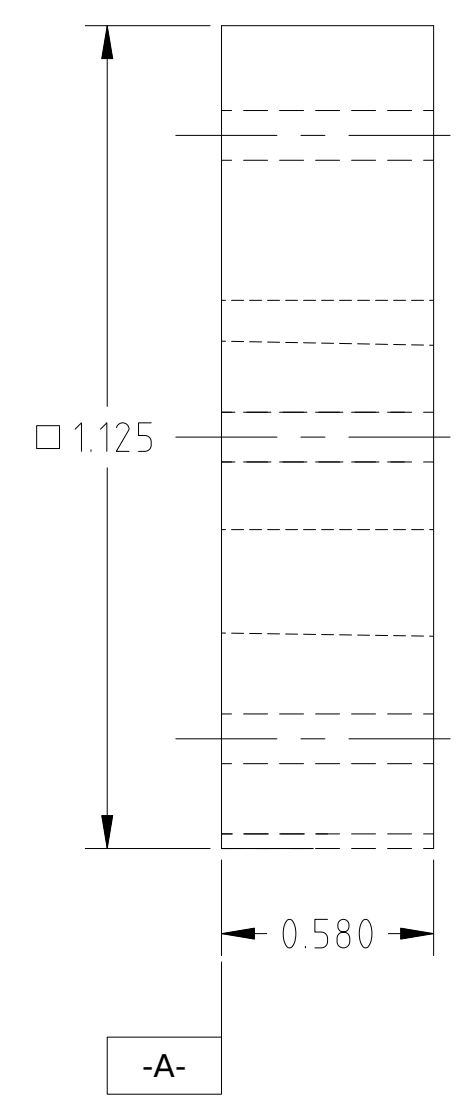
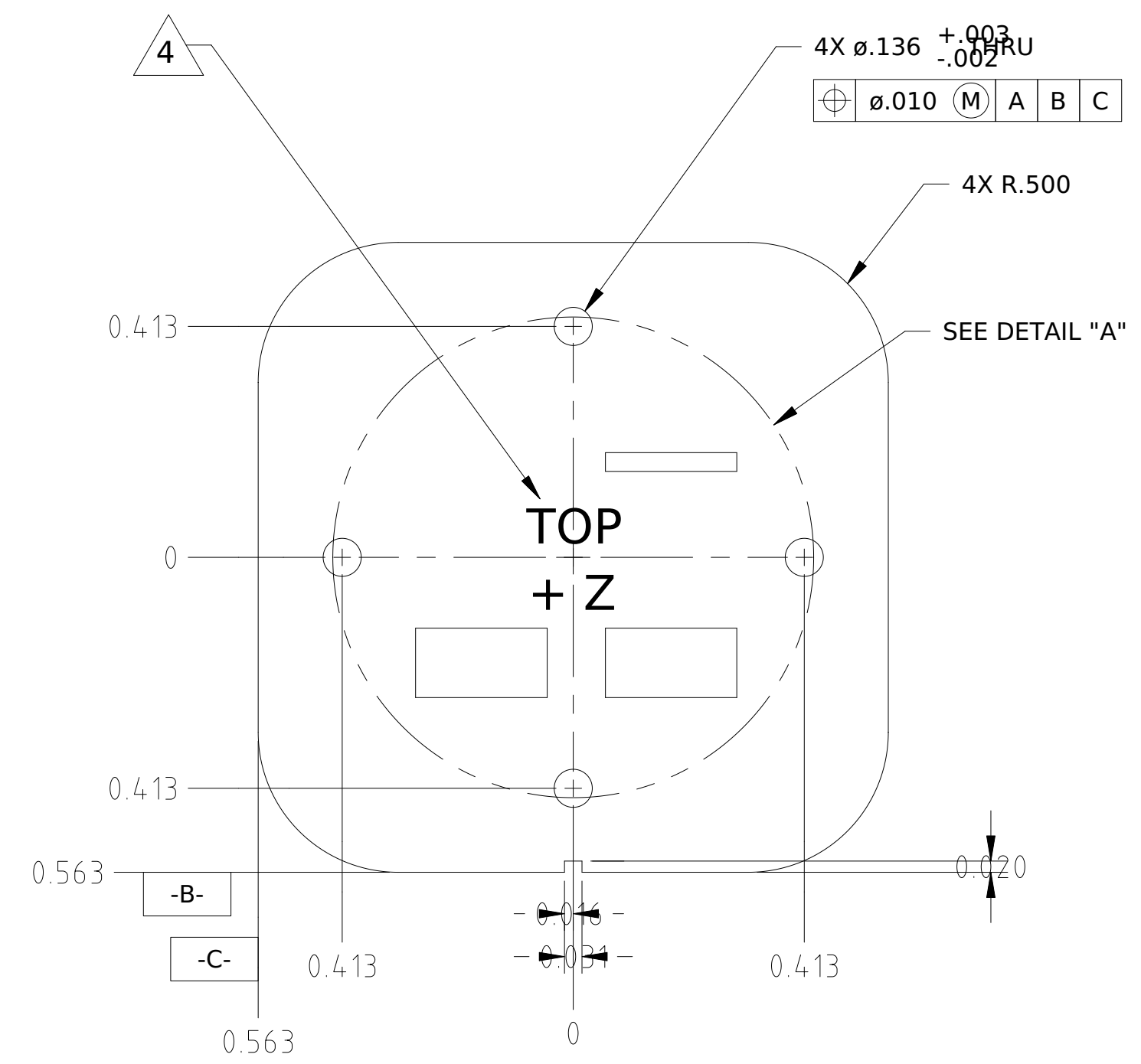
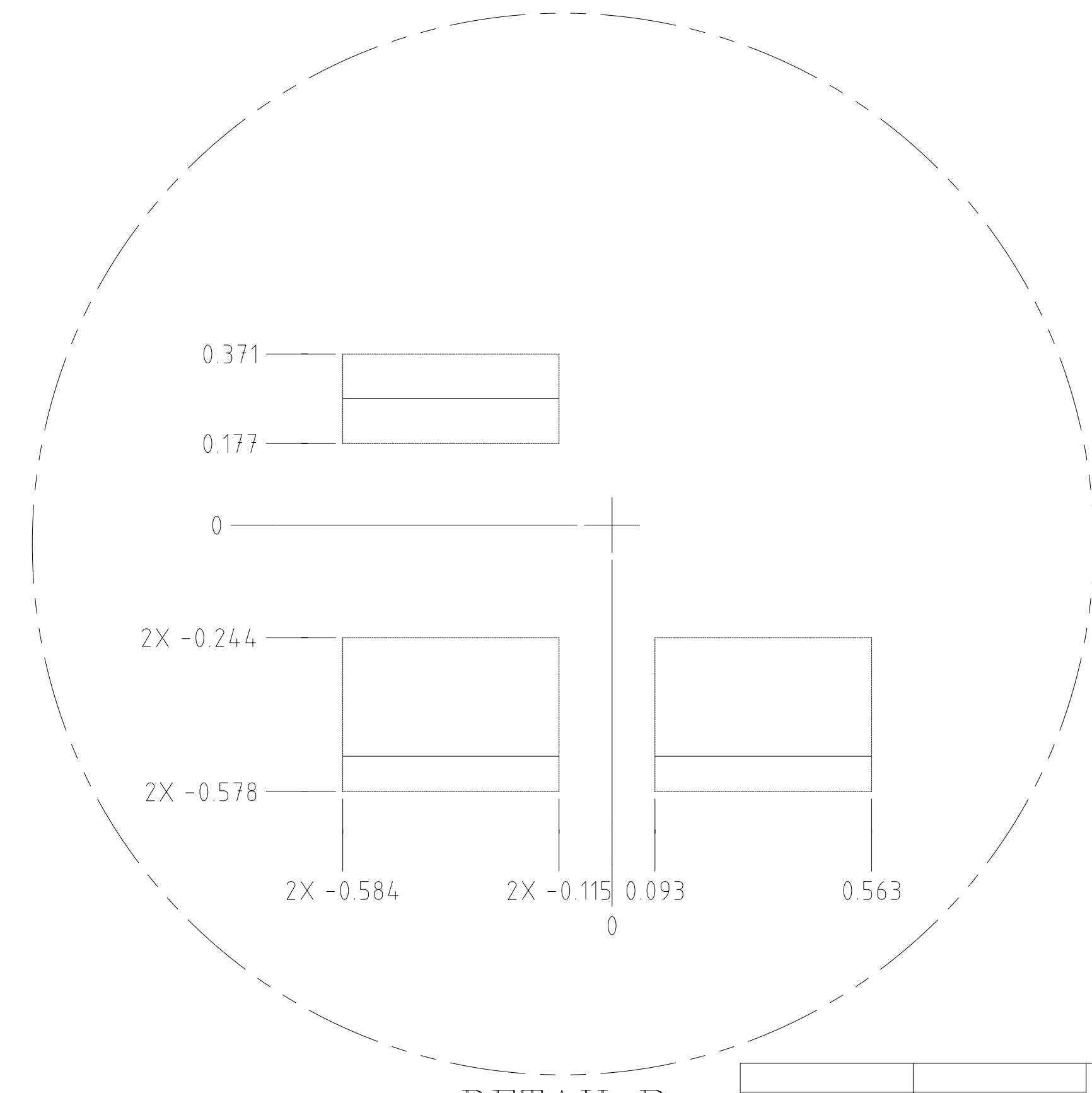


REVISIONS					
REV.	ECO NO.	DISCRIPTION	CHECKED	APPROVED	DATE
A	36-539	INITIAL RELEASE	PCT	RFG	4/8/96
B	36-697	SEE ECO 36-697	PCT	RFG	4/8/96
C	36-947	ENLARGE COLLIMATOR HOLES	FJK	WFM	7/29/97



DETAIL A  
SCALE: 4/1



DETAIL B  
SCALE: 4/1

- NOTES:
- MATL: 6061-T651 ALUMINUM PLATE.
  - MACHINED SURFACES 125 MAX. EXCEPT AS NOTED.
  - BREAK SHARP EDGES .01 RADIUS.
  - ENGRAVE, .12 HIGH CHARACTERS, APPROX AS SHOWN.

36-40200	ACIS	SEE NOTE 1
NEXT ASSEMBLY	USED ON	INTERPRET DIMENSIONS AND TOLERANCES IAW ANSI Y14.5M-1982
APPLICATION		

NAME	DATE
J. COOK	9/13/84
CHECKED	PCT
4/8/96	
APPROVED	R.F. GOEKE
4/8/96	
RELEASED	J. REPEC
4/12/96	

MASSACHUSETTS INSTITUTE OF TECHNOLOGY CENTER FOR SPACE RESEARCH CAMBRIDGE, MA 02139			
EXTERNAL CALIBRATION SOURCE SHIELD			
SIZE	FSCM NO.	DWG. NO.	REV.
D	80230	36-40202	C
SCALE	2/1	SHEET	1 OF 1